

**NK SERIES BREWER  
MODEL NK-PDAF**

Thermal dispenser brewer  
for satellite dispensing.



**NEWCO**

**NK SERIES BREWER  
MODEL NK-LDAF**

Thermal dispenser brewer  
for satellite dispensing.

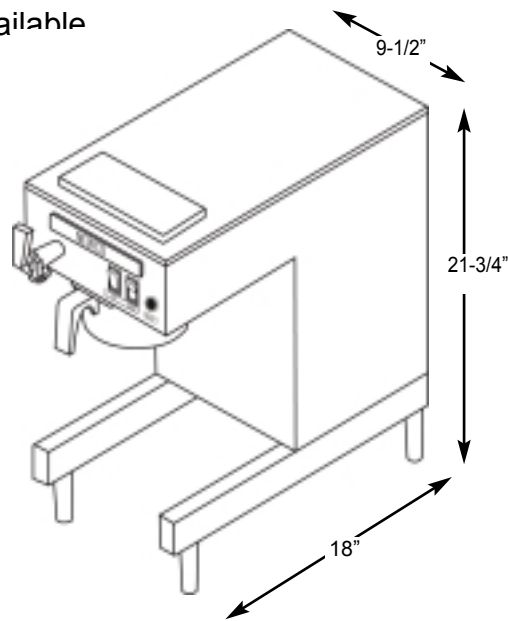


**NEWCO**

## NK SERIES BREWER MODEL NK-LDAF

**Thermal dispensing brewer for  
satellite dispensing.**

- Low profile model at only 21-3/4" high, brews directly into a thermal dispenser with brew through lid. Dispenser is then placed onto stand as shown for satellite dispensing, (20 oz. cup shown).
- At only 9 1/2" wide, brewer fits into narrow spaces.
- Brew ready light for optimum brewing temperatures.
- Independent hot water faucet for other piping hot beverages.
- Black powder coat available



MODEL	WIDTH	DEPTH	HEIGHT	120 VOLT, 15AMP		WEIGHT	CU. FT.
				(U.S.A.)	(CANADA)		
NK-LDAF	9-1/2"	18"	21 3/4"	12.1A	12.1A	28 LB.	5.29

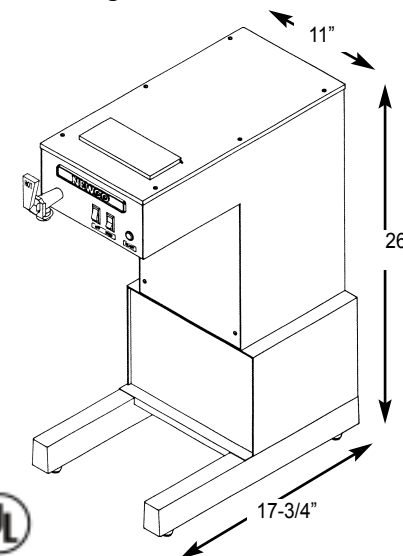
Newco Enterprises, Inc.

1735 S. River Rd St. Charles, MO 63303 Phone (314) 925-1202 Fax (314) 925-0029

## NK SERIES BREWER MODEL NK-PDAF

**Thermal dispensing brewer for  
satellite dispensing.**

- Now you can brew and dispense fresh coffee at the same time with this automatic dispenser brewer. Brewer allows for moving dispenser for satellite serving, or wherever coffee is needed.
- Brewer fits narrow space with ease, only 11" wide.
- Dispenser holds up to 2.5 liters (85 oz.) and keeps coffee hot for up to 8 hours.
- Brew ready light for optimum brewing temperatures.
- Black powder coat available.



MODEL	WIDTH	DEPTH	HEIGHT	120 VOLT, 15AMP		WEIGHT	CU. FT.
				(U.S.A.)	(CANADA)		
NK-PDAF	11"	17 3/4"	26"	12.1A	12.1A	44 LB.	8.72

Newco Enterprises, Inc.

1735 S. River Rd St. Charles, MO 63303 Phone (314) 925-1202 Fax (314) 925-0029