

Strength and durability are just two of the many features of the NK brewer family.

NK SERIES BREWER MODEL NK-L3AF



NEWCO

Strength and durability are just two of the many features of the NK brewer family.

NK SERIES BREWER MODEL NK-LP3AF

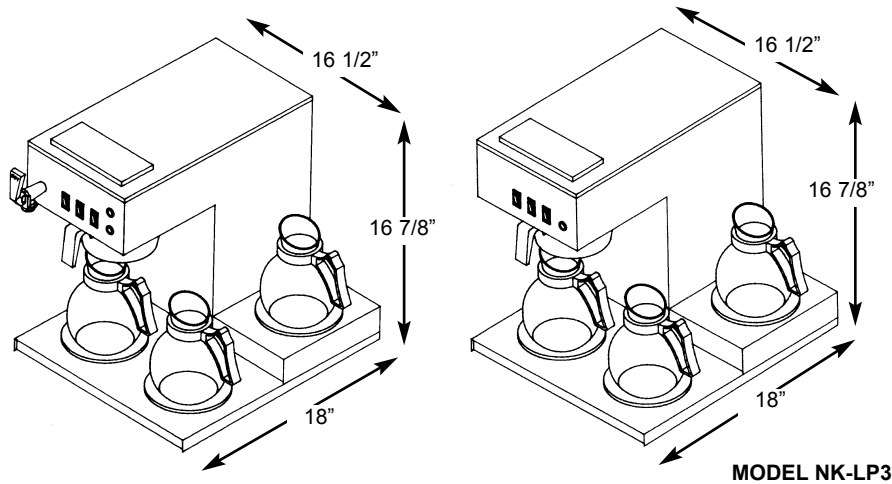


NEWCO

NK SERIES BREWER MODEL NK-LP3AF

Special features of the automatic brewer.

- Low profile design with a space saving height of 16-7/8".
- Three station automatic with convenient hot water faucet for other piping hot beverages.
- Three individually controlled warmers including easy to reach step-up rear warmer.
- Ready light for optimum brewing temperatures.
- Durable stainless steel construction.
- Black powder coat available.



MODEL NK-LP3

MODEL	WIDTH	DEPTH	HEIGHT	120 VOLT, 15AMP		WEIGHT	CU. FT.
				(U.S.A.)	(CANADA)		
NK-LP3AF	16-1/2"	18"	16 7/8"	14.6A	12.3A	45 LB.	6.68
NK-LP3	16-1/2"	18"	16 7/8"	14.6A	12.3A	38 LB.	6.68

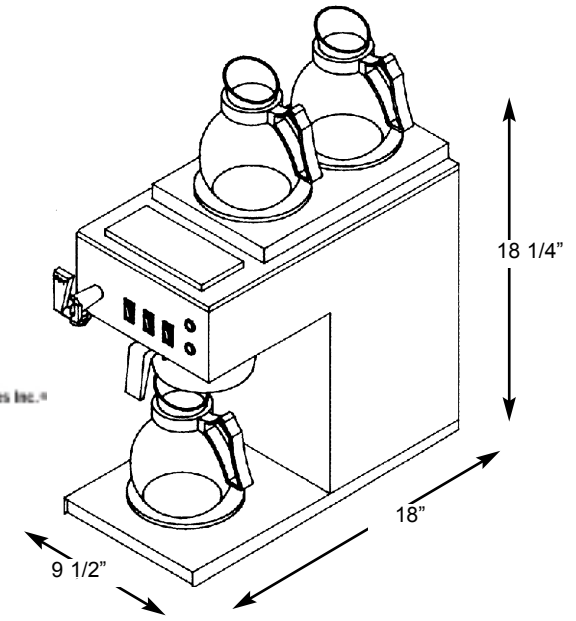
Newco Enterprises, Inc.

1735 S. River Rd St. Charles, MO 63303 Phone (314) 925-1202 Fax (314) 925-0029

NK SERIES BREWER MODEL NK-L3AF

Special features of the automatic brewer.

- Counter space is not a problem with this narrow front to back brewer, only 9 1/2 inches wide.
- Independent hot water faucet with all switches conveniently located in front upper switch panel.
- Brew ready light for optimum brewing temperatures.
- Durable stainless steel construction.
- Black powder coat available



MODEL	WIDTH	DEPTH	HEIGHT	120 VOLT, 15AMP		WEIGHT	CU. FT.
				(U.S.A.)	(CANADA)		
NK-L3AF	9-1/8"	18"	18 1/4"	14.6A	12.3A	38 LB.	5.63

Newco Enterprises, Inc.

1735 S. River Rd St. Charles, MO 63303 Phone (314) 925-1202 Fax (314) 925-0029