

**NEWCO**  
Enterprises, inc.

MODEL NKT-3-NS



NK  
SERIES  
BREWERS

SHOWN HERE WITH 3  
GALLON DISPENSER #800015

# Model NKT-3-NS

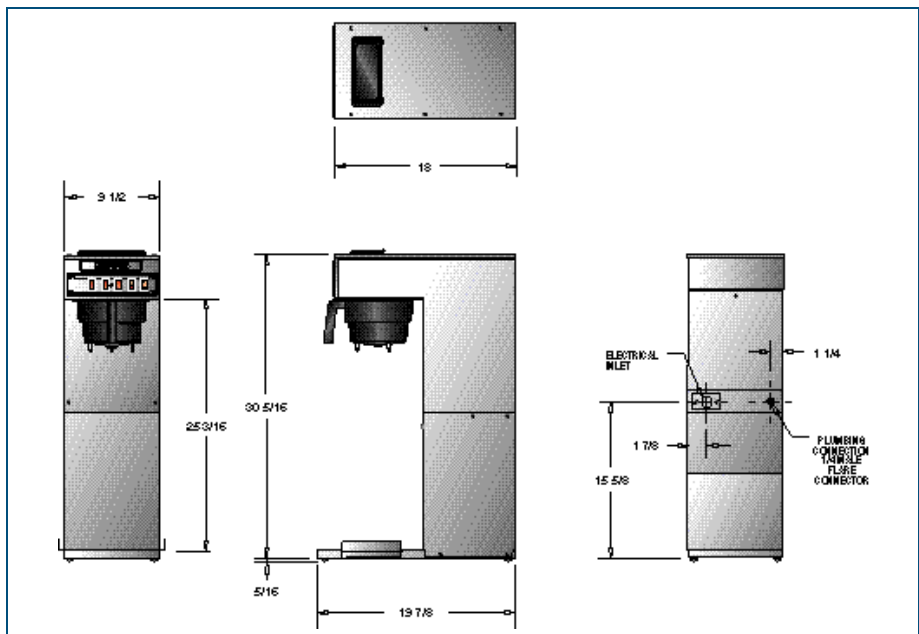
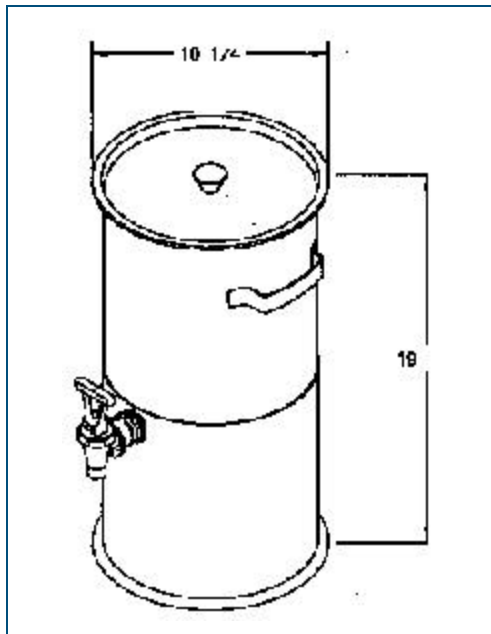
# SPECIFICATIONS:

BREWING VOLUME 1.5 GALLON/3 GALLON  
WATER SUPPLY-COLD 10-110-PSI  
BREWER SHIPPING CUBE 9.84 CU. FT  
BREWER SHIPPING WEIGHT 40 LBS. (APPROX.)  
DISPENSER SHIPPING CUBE\* 1.5 CU.FT.  
DISPENSER SHIPPING WT.\* 8 LBS.

### ELECTRICAL:

120V 14.6A/1750W (U.S.)  
240V 10.4A/2500W (International)

\*DISPENSER SOLD SEPARATELY



## Brewer Features:

**MULTI-VOLUME:** Equipped with a volume switch, the NKT-3 brewer is designed to brew 1.5 or 3.0 gallons of tea. For accounts that desire to only brew one tea volume, the switch can be easily concealed to avoid brewing errors.

**VISA-BREW:** The "Visa-Brew" function helps to communicate to the user that a brew cycle is in process. Once a brew cycle begins, a brewing lamp flashes for an adjustable period of time to help prevent the removal of a brewbasket or serving vessel prematurely.

**AUTO-ARM:** Newco's Auto-Arm function ensures that the unit only brews when the water is at the optimum brewing temperature. This unique feature ensures proper extraction and helps to address the bacterial issues associated from tea being improperly brewed. If a brew cycle is initiated while the brewer is heating, the cycle is stored in memory and delayed until the brewer reaches temperature. A flashing "heating" lamp is engaged to alert the operator. Once up to temperature, the brew cycle automatically begins.

**POUR IN FEATURE:** A back-up pour in feature is provided to allow the unit to operate as a pour over unit.

**PDS VALVE:** NEWCO'S porcelain flow control (PDS) valve ensures that the precise amount of water (+ or- 1 oz.) is delivered over the tea leaves everytime. Designed to work under the harshest water conditions and fluctuating water pressures, the PDS valve is the most advanced and accurate water delivery control to date. Precise water volumes guarantee your tea profile will remain consistent with every brew.

## Electrical Specifications/Options:

120V Hot Water Faucet  
15A Private Label  
1775W 220V International

Height: 30.25"  
Width: 9.5"  
Depth: 18"