



CONDIMENT ORGANIZER - LARGE

For Storing And Organizing Your Coffee Making Supplies

Photographs:



Standard Features:

- Sturdy Steel Construction.
- Three Large 8-1/2" X 15-1/2" Trays
- Removable Cup And Condiment Holders Can Be Combined And Repositioned To Satisfy A Variety Of Needs.
- Provided Compartment Dividers.

Dimensions And Specifications:

18" High
8-1/2" Wide
15-1/2" Deep

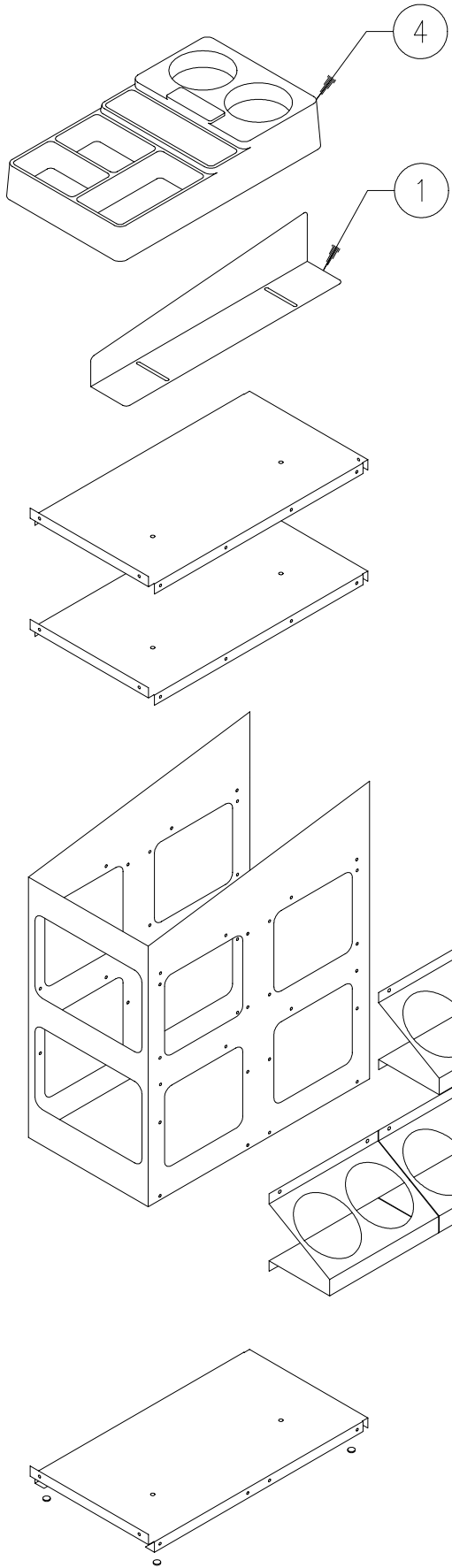


Part Numbers:

NEWCO #	COLOR
110354	Black

EXPLODED VIEW OF COMPONENTS

Cup And Condiment Holders Can Be Arranged
On Both Sides To Suit Individual Needs



UNIT COMES WITH THE FOLLOWING

Item	Description	Qty.
1	Compartment Divider	3
2	Cup & Canister Holder	2
3	Small Product Organizer	1

PART NO. FOR ADDITIONAL COMPONENTS

Item	Part No.	Description
1	110356	Compartment Divider
2	110357	Cup & Canister Holder
3	110358	Small Product Organizer
4	110376	Stand Alone Plastic Product Organizer