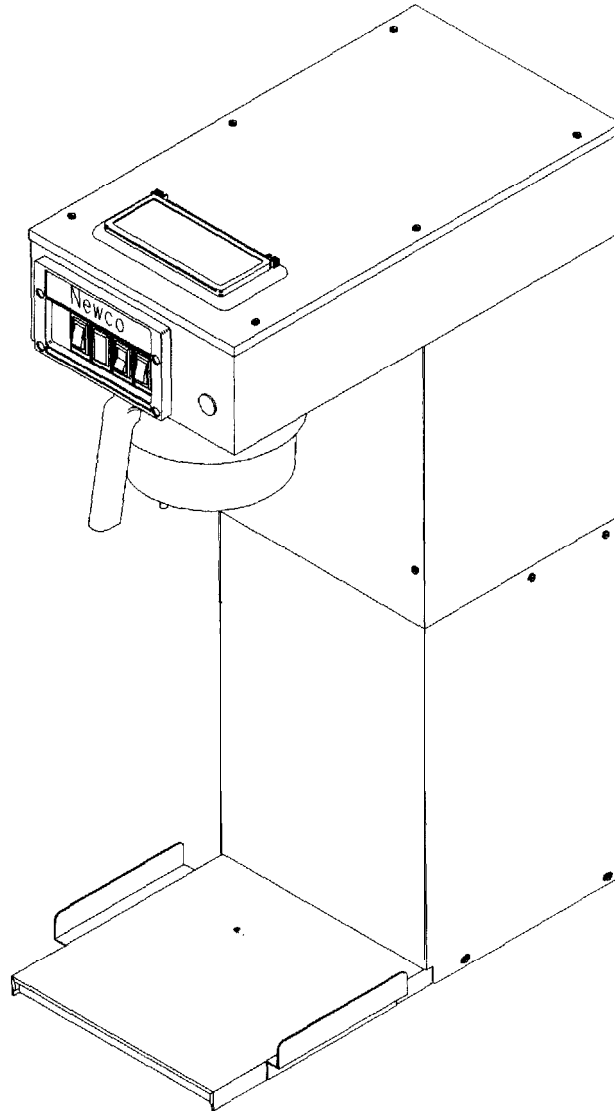


# NEWCO ENTERPRISES

## INSTALLATION and OPERATION MANUAL FOR NKT3 COMBINATION COFFEE & TEA BREWER



Model	Width	Depth	Height	Weight	Voltage	Watts	Amps
NKT3 Coffee/Tea	9.5"	19-7/8"	30-5/8"	40 lbs	120	1750	15

### WARRANTY

Newco coffee brewers are warranted against defects in workmanship or materials, under normal use, for 90 days from the date of purchase. Brewer parts are warranted against defect for 12 months from date of purchase.

Liability in all events is limited to the purchase price paid and liability under the aforesaid warranty is limited to replacing or repairing any part or parts which are defective in material or workmanship, and returned to our factory, shipping cost prepaid. No warranty expressed or implied, other than the aforesaid is made or authorized by Newco Enterprises, Inc.

Prompt disposition will be made if item proves to be defective, within warranty. Before returning any item, write or call Newco, or the dealer from whom the product was purchased, giving model number, serial number, and date of purchase, and describe the nature of the defect. If damage was incurred during transit to you, file claim with the carrier.

## PLUMBER'S INSTALLATION INSTRUCTIONS

**CAUTION:** Power to brewer must be OFF before proceeding with plumbing installation.

- 1) Attach flow/strainer assembly to back of brewer. Strainer inlet will point down.
- 2) Flush water line before installing brewer. Brewer should be connected to COLD WATER LINE for best operation.
- 3) Water pressure should be at least 20 lbs. For less than a 25 ft run, use 1/4" copper tubing and connect to 1/2" or larger water line. For longer runs, use 3/8" copper tubing & connect to 1/2" or larger water line and provide an adapter fitting for connection to the brewer.
- 4) If installed with saddle valve, the valve should have a minimum of 1/8" port hole for up to 25 ft run, and 5/16" port hole for over 25 ft runs.
- 5) Connect incoming water line to the PDS valve refer to PDS supplement sheet P/N 110515 on the back of the brewer. Manufacturer recommends connecting to copper tubing

## INSTALLATION INSTRUCTIONS

**WARNING:** - Read and follow installation instructions before plugging or wiring in machine to electrical circuit. Warranty will be void if machine is connected to any voltage other than that specified on the name plate.

**FILL BREWER TANK WITH WATER BEFORE CONNECTING TO POWER SUPPLY !**

This unit is designed for brewing both TEA and COFFEE. The initial operating instructions must be followed in order, and completely, to have a properly adjusted brewer that will perform both functions.

- 1) Remove the front access panel from the brewer.
- 2) Place tea dispenser in position below brew basket. Raise the top evaporation cover and pour three decanters of water through the top pour-in screen. Water should come through the brew basket as the third decanter of water drains out of the pour in basin. If the brewer does not have a pour in opening remove top cover and pour water directly into receiving pan. Empty tea dispenser.
- 3) Connect the brewer to a proper voltage circuit as noted on the serial tag.

### TEA CALIBRATION

- 4) Turn the power switch on brewer faceplate to the ON position. Turn selector switch to the Iced Tea position.
- 5) Start the brew cycle by pressing the brew start switch. The tea dispenser should fill with one brew cycle. If adjustment is required due to over or under filling locate the timer control in the component panel at the rear of brewer. The timer has two adjustment knobs, one marked TEA and the other marked COFFEE. Using the tea knob, adjust the timer to deliver the desired amount of water. Turn timer dial clockwise to increase volume of water, and counter clockwise to decrease the volume.
- 6) The brewer should deliver approximately 75 ounces of hot water concentrate through the sprayhead with the balance of the 3 gallons passing as cold water through the dilution tube. Turning the needle valve on the lower solenoid valve counterclockwise increase strength while clockwise rotation will decrease strength.
- 7) Drain and remove the tea dispenser.

### COFFEE CALIBRATION

- 8) Place a coffee dispenser in position below brew basket.
- 9) Turn selector switch to the Coffee or Hot Tea position.
- 10) Start the brew cycle by pressing the brew start switch. The coffee dispenser should fill with one brew cycle. If adjustment is required due to over or under filling locate the timer control in the component area of the brewer. This time use the adjustment knob marked COFFEE to adjust the timer to deliver the desired amount of water. Turn timer dial clockwise to increase volume of water, and counter clockwise to decrease the volume. Empty the coffee dispenser.
- 11) Note: 240 V brewers are shipped with the thermostat turned OFF. Rotate thermostat knob to full on position and then back about 1/4". 120 V Brewers are shipped with thermostat turned on.
- 12) After adjustments are complete, disconnect the power supply and then replace any panels or covers previously removed. Reconnect the power supply.
- 13) Allow 10 to 15 minutes for water in tank to heat to brewing temperature. (Additional water may drip from brew basket on initial expansion of water in the tank). This will not occur thereafter.

Continued on next page

- 14) After water has reached brewing temperature (thermostat will click off and heating noise will stop) turn power switch to the on position. With dispenser in place depress brew start switch and run a cycle of water to remove expanded water from tank. (Note: The brew cycle may be canceled by turning the power switch back to the OFF position.)
- 15) If desired you may run one cycle to check for the proper temperature setting. With an accurate thermometer take the temperature of the water at a point below the brew basket opening at the start of the brew cycle and when the decanter is half full. Recommended temperature of the water is approximately 190 - 195 F.
- 16) In higher altitude locations (5000 feet above sea level) the thermostat may have to be adjusted lower to prevent boiling.
- 17) CAUTION: On faucet models the water faucet will dispense hot water when the handle is depressed. The faucet system is independent of the brewing system and can be operated during brew cycle. Once brewer is pressurized operate faucet until water flows smoothly.

## COFFEE PREPARATION PROCEDURES

- 1) Place filter into brew basket.
- 2) Put the proper amount of coffee into the filter.
- 3) Slide the brew basket into holder.
- 4) Place empty decanter in place directly under the brew basket. NOTE: Remove non brew thru lids, caps, pump stems, etc. from airpots or dispensers.
- 5) Turn selector switch on brewer front face to the coffee position.
- 6) Depress the brew start switch to begin brew cycle. The brew cycle may be canceled by turning the power switch to the OFF position. Manual brewing may be accomplished by raising the top evaporation cover and pouring 64 oz decanter of water through pour-in screen into pour in basin.
- 7) Hot water will be delivered through the sprayhead. This distributes the hot water evenly over the coffee bed within the brew basket. The coffee brew will drain from the brew basket into the decanter below.

## TEA PREPARATION PROCEDURES

- 1) Place filter into brew basket.
- 2) Put the proper amount of tea into the filter.
- 3) Slide the brew basket into holder.
- 4) Place empty tea dispenser directly under the brew basket. Ensure dilution tube is pointed over decanter opening.
- 5) Turn selector switch on brewer front face to the Iced Tea position.
- 6) Depress the brew start switch to begin brew cycle. The brew cycle may be canceled by turning the power switch to the OFF position.
- 7) Hot water will be delivered through the sprayhead. This distributes the hot water evenly over the tea bed within the brew basket. The tea brew will drain from the brew basket into the decanter below. The balance of the tea beverage will be delivered into the tea dispenser in the form of cold water from the dilution delivery tube.

## LIMING

To prevent liming problems in tank fittings remove sprayhead and insert **deliming** spring all the way into the tank. When inserted into tank properly, no more than ten inches of the spring should be visible at the sprayhead fitting. Saw back and forth five or six times. This will keep fittings open and clear of lime. In hard water areas this should be done everyday. This process takes approximately one minute. In all areas the sprayhead should be cleaned at least once a week. Where bad liming has already occurred, a new complete tank assembly may be installed. The tank may be changed in approximately 5 - 10 minutes time.

# WIRING DIAGRAM

