



TVT-Coffee Brewer

Gourmet Coffee Brewer

Digital Electronics allows brewing up to **3** independent beverage volumes, with the ability to enhance the taste profile of the beverage by adjusting the brewing temperature and the water contact time with or without water bypassing.

Simplex programming, with TVT technology, all you need to know is: How Much Total Volume, How Much Tea Concentrate, How Long to Brew-and you have programmed your recipe.

Brewer incorporates patented base design which allows for height adjustability.

Auto Arm - System will not brew until the water reaches the correct brewing temperature.

Vis A Brew - Brewing alert System is adjustable from 3 independent times to match the brewing process you select.

Stainless Steel construction with back up pour over feature.

Dual Voltage 120/240
 Brew Capacities: 30 Ounces up to 5 Gallons
 3 independent brew buttons can be customized with product labels for ease of brewing.



Patent Pending.
 UL listed. NSF approved.

Dispenser Options

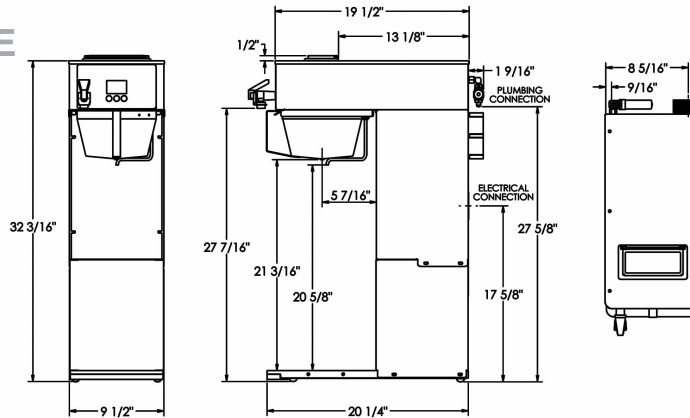




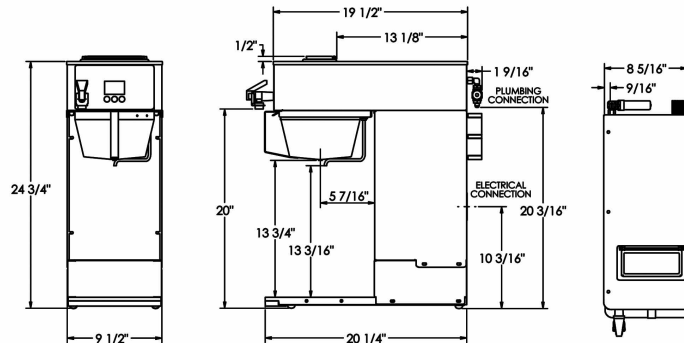
Temperature Volume Time

NEWCO has one coffee machine that serves **THREE** separate coffee profiles. **TVT** technology from Newco, simply makes your beverages taste better. **TVT** controls the three vital aspects of the coffee brewing recipe: water **temperature**, water **volume**, and water contact **time**. **TVT** opens up a new world of taste profile control by allowing you three different settings. Now you can brew into three different size dispensers and/or three different strengths with the same machine. You control the **time**, **volume** and **temperature**. **TVT** equipped brewers greatly enhance account profitability by allowing multiple beverages to be brewed on a single unit while dramatically reducing installation and set up time. **TVT**, only from Newco, making you successful your way.

TALL PROFILE



LOW PROFILE



TALL PROFILE
TALL PROFILE
LOW PROFILE
LOW PROFILE

Base Model	Control Option	Part Number	Volts	Amps	Tank* Wattage	Cubic Feet	Ship Weight	Cord Attached
GXF-8D	TVT Coffee	701069	120	11.7	1375	9.8	46	Yes
GXF-8D	TVT Coffee	701071	120/240	23.1	5500	9.8	46	none
GXF-P	TVT Coffee	701073	120	11.7	1375	7.3	42	Yes
GXF-P	TVT Coffee	701075	120/240	23.1	5500	7.3	42	none

* Other wattages available. Please inquire when placing your order

Electrical: 120V models are 2 wires plus ground service rated 120V, single phase, 60Hz. 120/240 V models are 3 wires plus ground service rated 120/240 V, single phase, 60Hz

Plumbing: Water line should be 20-90 PSI and have a minimum flow rate of 1.5 GPM. Mechanical connection on brewer is 1/4" male flare connector.