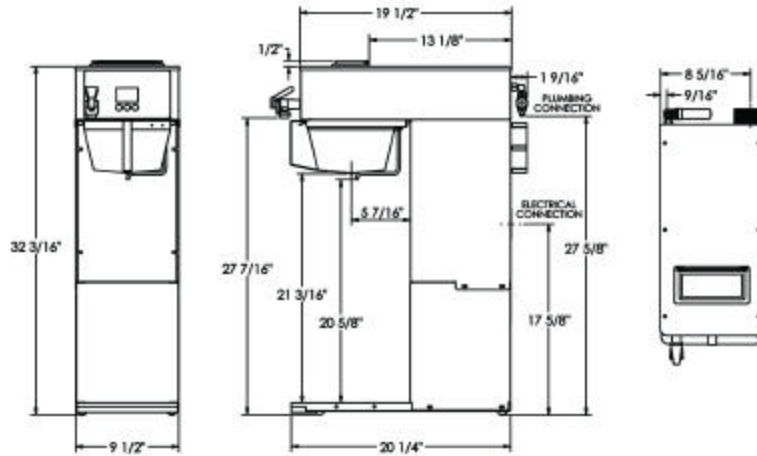




# T EMPERATURE V OLUME T IME

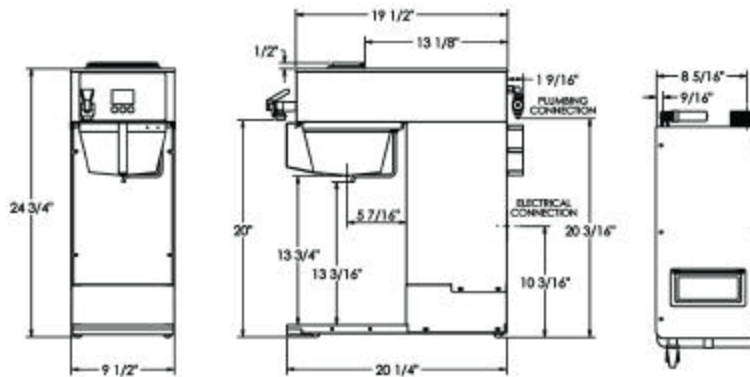
NEWCO has one machine for both coffee, hot tea, and iced tea brewing. TVT technology from Newco, simply makes your beverages taste better. TVT controls the three vital aspects of the coffee and tea brewing recipe: water **temperature**, water **volume**, and water contact **time**. TVT opens up a new world of taste profile control by allowing you three different settings. Now you can brew three different beverages and/or three different strengths with the same machine. You control the **time**, **volume** and **temperature**. TVT equipped brewers greatly enhance account profitability by allowing multiple beverages to be brewed on a single unit while dramatically reducing installation and set up time. TVT, only from Newco, making you successful your way.

## TALL PROFILE



Corporate offices  
 1735 South River Rd  
 St. Charles MO,  
 63303  
**Phone**  
 800.325.7867  
 636.925.1202  
**Fax**  
 636.925.0029  
**Technical Services**  
 800.556.3926  
**Internet**  
[www.newcocoffee.com](http://www.newcocoffee.com)

## LOW PROFILE



TALL PROFILE  
 TALL PROFILE  
 LOW PROFILE  
 LOW PROFILE

Base Model	Control Option	Part Number	Volts	Amps	Tank* Wattage	Cubic Feet	Ship Weight	Cord Attached
GXF-8D	TVT Combo	701014	120	11.7	1375	9.8	46	Yes
GXF-8D	TVT Combo	701060	120/240	23.1	5500	9.8	46	none
GXF-P	TVT Combo	701054	120	11.7	1375	7.3	42	Yes
GXF-P	TVT Combo	701057	120/240	23.1	5500	7.3	42	none

\* Other wattages available. Please inquire when placing your order

**Electrical:** 120V models are 2 wires plus ground service rated 120V, single phase, 60Hz. 120/240 V models are 3wires plus ground service rated 120/240 V, single phase, 60Hz

**Plumbing:** Water line should be 20-90 PSI and have a minimum flow rate of 1.5 GPM. Mechanical connection on brewer is 1/4" male flare connector.

# NEWCO BEVERAGE CENTER

## Iced Tea, Hot Tea & Gourmet Coffee Brewer

with TVT Technology



### Features

Digital Electronics allows brewing up to 3 independent beverage volumes, with the ability to enhance the taste profile of the beverage by adjusting the brewing temperature and the water contact time with or without water bypassing.

Simplex programming, with TVT technology, all you need to know is \* How Much Total Volume \* How Much Tea Concentrate \* How Long to Brew\* -and you have programmed your recipe.

Brewer incorporates patented base design which allows for height adjustability.

Auto Arm - System will not brew until the hot water has reach the correct brewing temperature .

Vis A Brew - Brewing alert System is adjustable from 3 independent times to match the brewing process you select.

Stainless Steel construction with back up pour over feature.

Dual Voltage 120/240

Brew Capacities : 30 Ounces up to 5 Gallons

3 independent brew buttons can be customized with product labels for ease of brewing.

Patent Pending.

UL listed. NSF approved.



*Three brewers in one.*

Corporate offices  
1735 South River Rd  
St. Charles MO, 63303  
**Phone**  
800.325.7867  
636.925.1202  
**Fax**  
636.925.0029  
**Technical Services**  
800.556.3926  
**Internet**  
[www.newcocooffee.com](http://www.newcocooffee.com)

### Dispenser options



# NEWCO