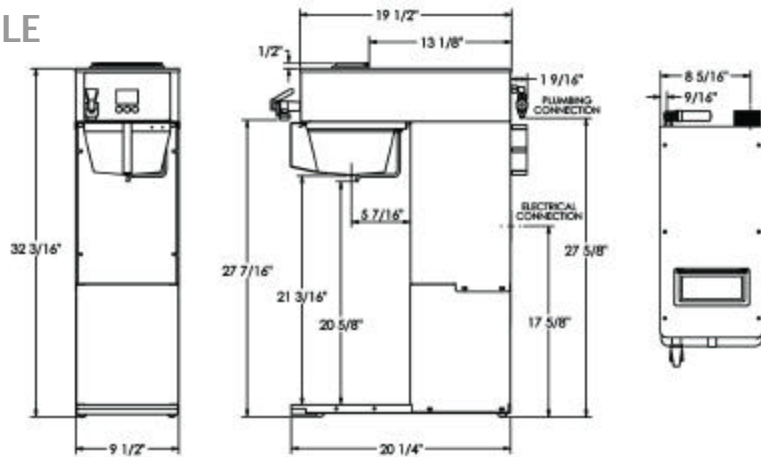




# T TEMPERATURE V VOLUME T TIME

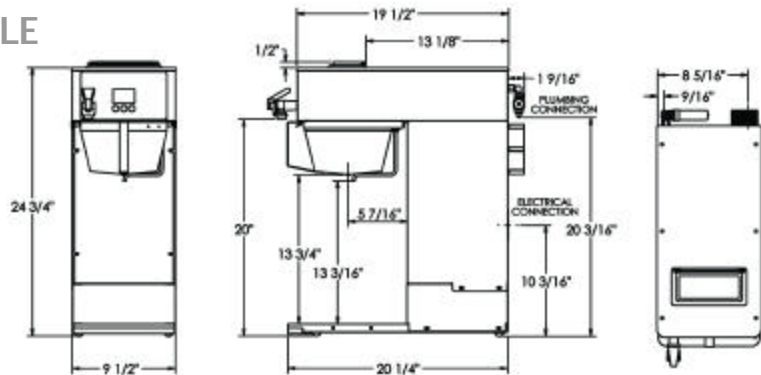
**NEWCO** has one machine for several methods of hot tea and iced tea brewing. **TVT** technology from Newco, simply makes your beverages taste better. **TVT** controls the three vital aspects of the tea brewing recipe: water **temperature**, water **volume**, and water contact **time**. **TVT** opens up a new world of taste profile control by allowing you three different settings. Now you can brew three different beverages and/or three different strengths with the same machine. You control the **time**, **volume** and **temperature**. **TVT** equipped brewers greatly enhance account profitability by allowing multiple beverages to be brewed on a single unit while dramatically reducing installation and set up time. **TVT**, only from Newco, making you successful your way.

## TALL PROFILE



Corporate offices  
1735 South River Rd  
St. Charles MO,  
63303  
**Phone**  
800.325.7867  
636.925.1202  
**Fax**  
636.925.0029  
**Technical Services**  
800.556.3926  
**Internet**  
[www.newcocoffee.com](http://www.newcocoffee.com)

## LOW PROFILE



TALL PROFILE  
TALL PROFILE  
LOW PROFILE  
LOW PROFILE

Base Model	Control Option	Part Number	Volts	Amps	Tank* Wattage	Cubic Feet	Ship Weight	Cord Attached
GXF-8D	TVT Tea	701077	120	11.7	1375	9.8	46	Yes
GXF-8D	TVT Tea	701079	120/240	23.1	5500	9.8	46	none
GXF-P	TVT Tea	701081	120	11.7	1375	7.3	42	Yes
GXF-P	TVT Tea	701083	120/240	23.1	5500	7.3	42	none

\* Other wattages available. Please inquire when placing your order

**Electrical:** 120V models are 2 wires plus ground service rated 120V, single phase, 60Hz. 120/240 V models are 3 wires plus ground service rated 120/240 V, single phase, 60Hz.

**Plumbing:** Water line should be 20-90 PSI and have a minimum flow rate of 1.5 GPM. Mechanical connection on brewer is 1/4" male flare connector.



# GOURMET ICED TEA BREWER

*with TVT Technology*



## Features

Digital Electronics allows brewing of 3 independent beverages, with different brew temperatures, and volumes, along with or without bypass delay for the recipe just right for your tea flavor.

Simplex programming, with TVT technology, all you need to know is \* How Much Total Volume \* How Much Tea Concentrate \* How Long to Brew\* and you have programmed your recipe.

Brewer incorporates patented base design which allows for height adjustability.

Auto Arm - System will not brew until the hot water has reach the correct brewing temperature

Vis A Brew - Brewing alert System is adjustable from 3 independent times to match the brewing process you select.

Stainless Steel construction , with back up pour over feature.

Dual Voltage 120/240

Brew Capacities : 30 Ounces up to 5 Gallons

3 independent brew buttons can be customized with product labels for ease of brewing.

Patent Pending.

UL listed. NSF approved.



*Pictured with optional hot water faucet*

*Stackable Variety Tea Urns*



## Dispenser options



Corporate offices  
1735 South River Rd  
St. Charles MO, 63303  
**Phone**  
800.325.7867  
636.925.1202  
**Fax**  
636.925.0029  
**Technical Services**  
800.556.3926  
**Internet**  
[www.newcocoffee.com](http://www.newcocoffee.com)

