

Bistro Touch



Illustrated Parts Manual

Model BISTRO-TCH

1-800-325-7867

1-800-556-3926 (Tech Service)

3650 NEW TOWN BLVD ST. CHARLES MO 63301

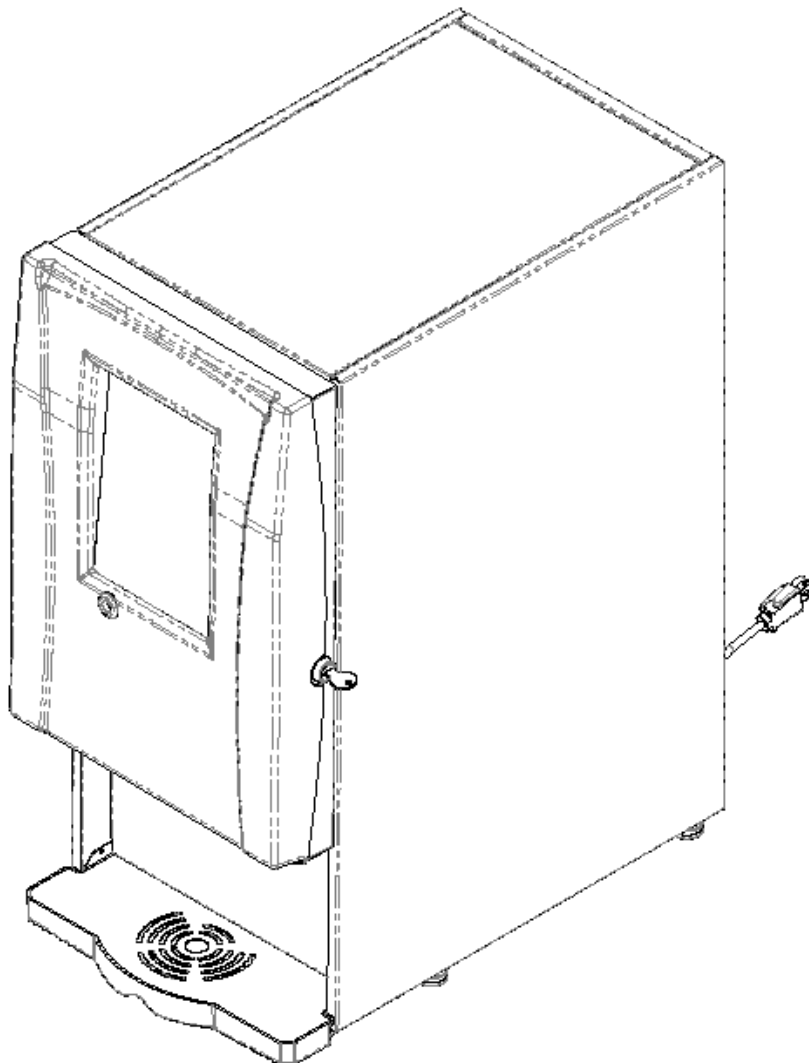
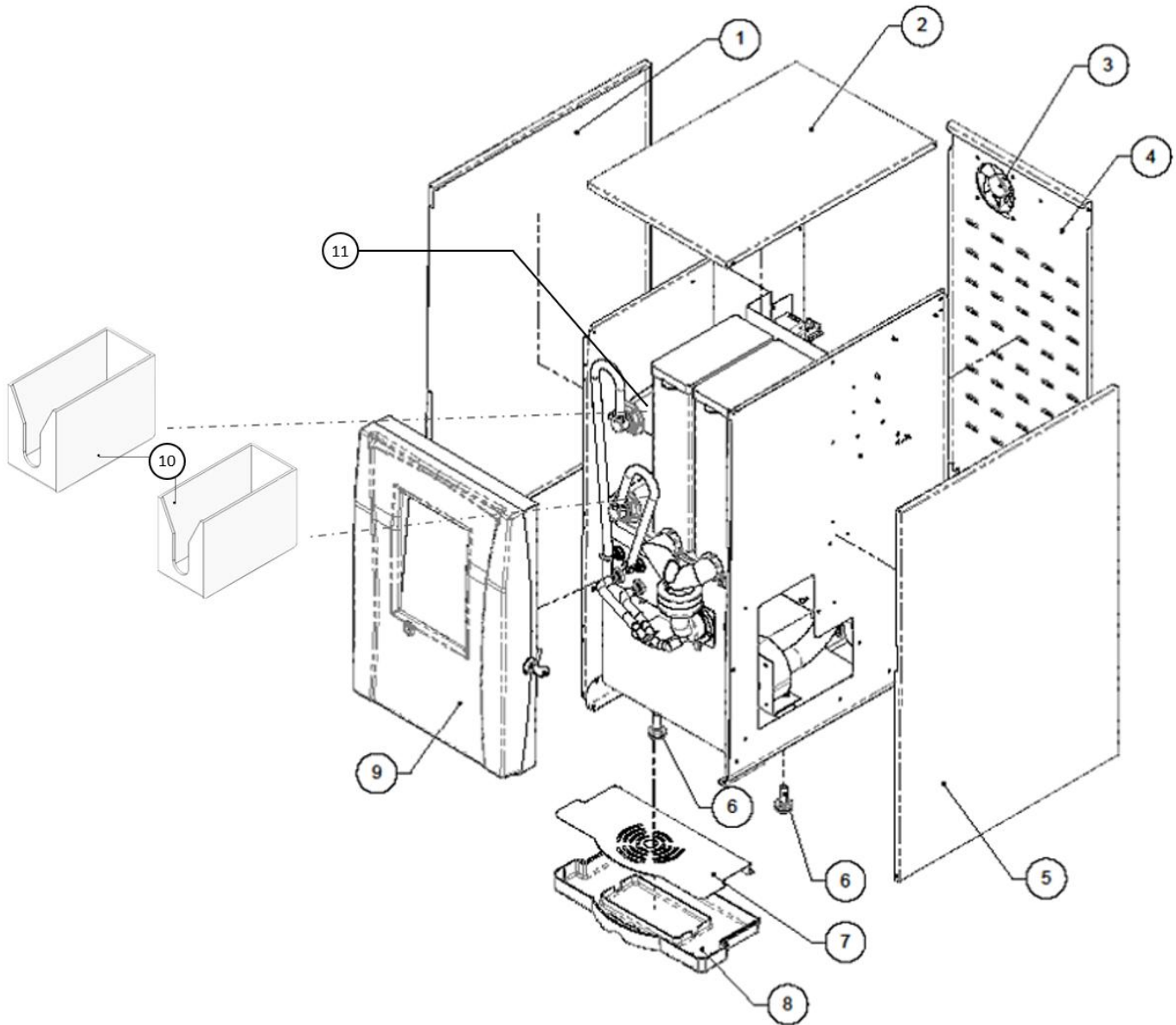


Table of Contents

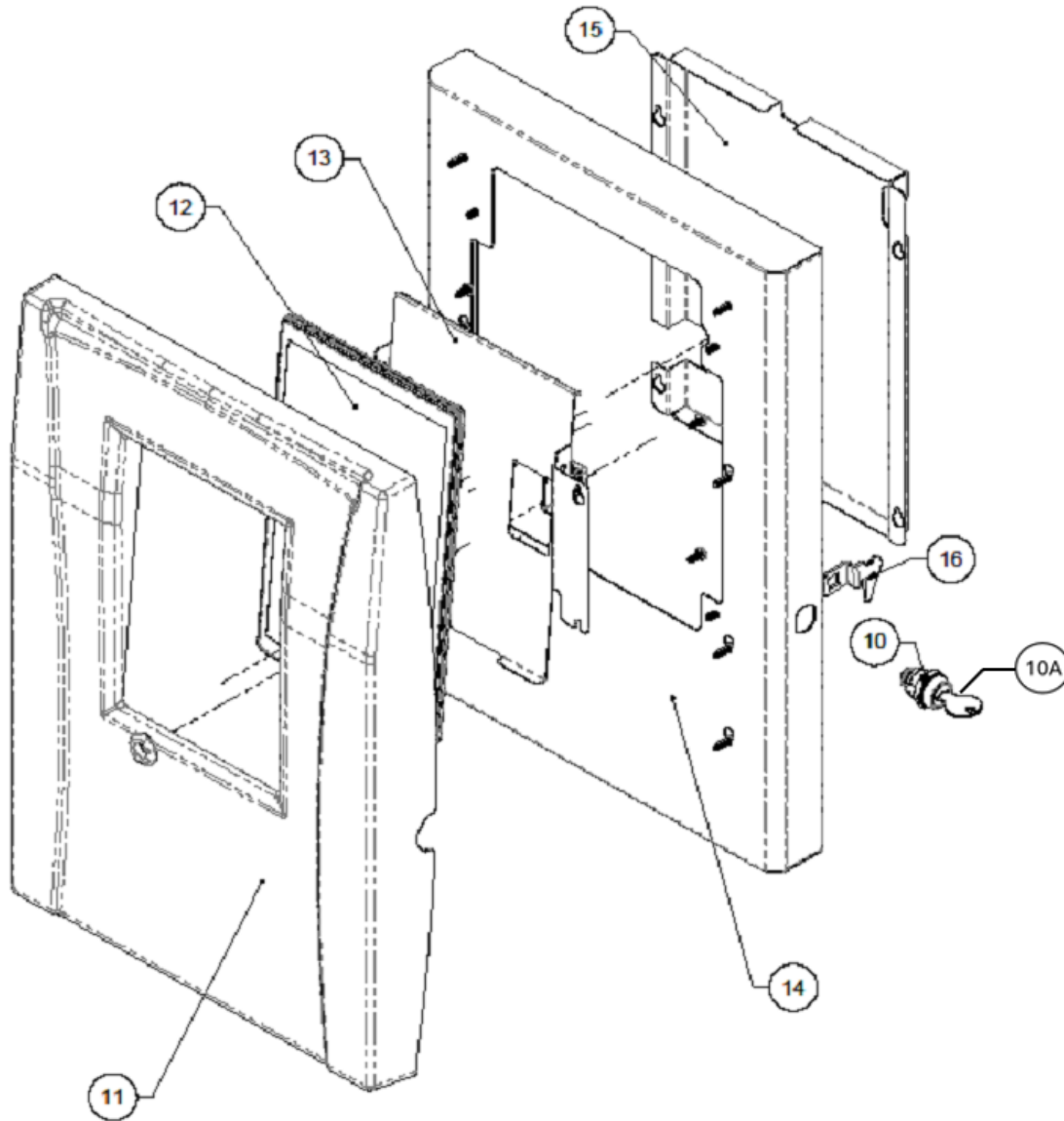
Panels, Fan, Drip Tray, Feet	3
Door Assembly	4
Door Assembly – Camera Plug Components	5
Coffee and Powder Dispensing.....	6
Coffee and Powder Dispensing.....	7
Coffee and Powder Dispensing Parts Listing	8
Electrical Components	8
Tank Components	10
Tank Components Parts Listing.....	11
Whipper Chamber.....	12
Plumbing, Cleaning, Labels	13
Miscellaneous Parts	13
Harnesses	14
Harnesses Parts Listing	15

Panels, Fan, Drip Tray, Feet



ITEM NO.	PART NO.	DESCRIPTION
1	783078-BPC	PANEL, LH EXTERIOR
2	128130	PANEL, TOP COVER
3	103600	FAN ASY, WITH HARNESS
4	783088	PANEL, REAR COVER, SS
5	783092-BPC	PANEL, RH EXTERIOR
6	111377	FOOT, APPLIANCE, 3/8"-16 X1
6A (N/S)	111667	NUT, FOOT APPLIANCE (PART OF ASY 111377)
6B (N/S)	100104	WASHER, FOOT APPLIANCE (PART OF ASY 111377)
7	128114	GRID, DRIP TRAY GRATE, SS
8	122052	PLASTIC DRIP TRAY
9	128235	DOOR ASY, PRE-TEC, BISTRO TOUCH
10	121929	COFFEE BIN (2x EA)
11	123036	PANEL, BIN SUPPORT
N/S	105110	SCREWS, EXTERIOR PANELS (4x EA)

Door Assembly



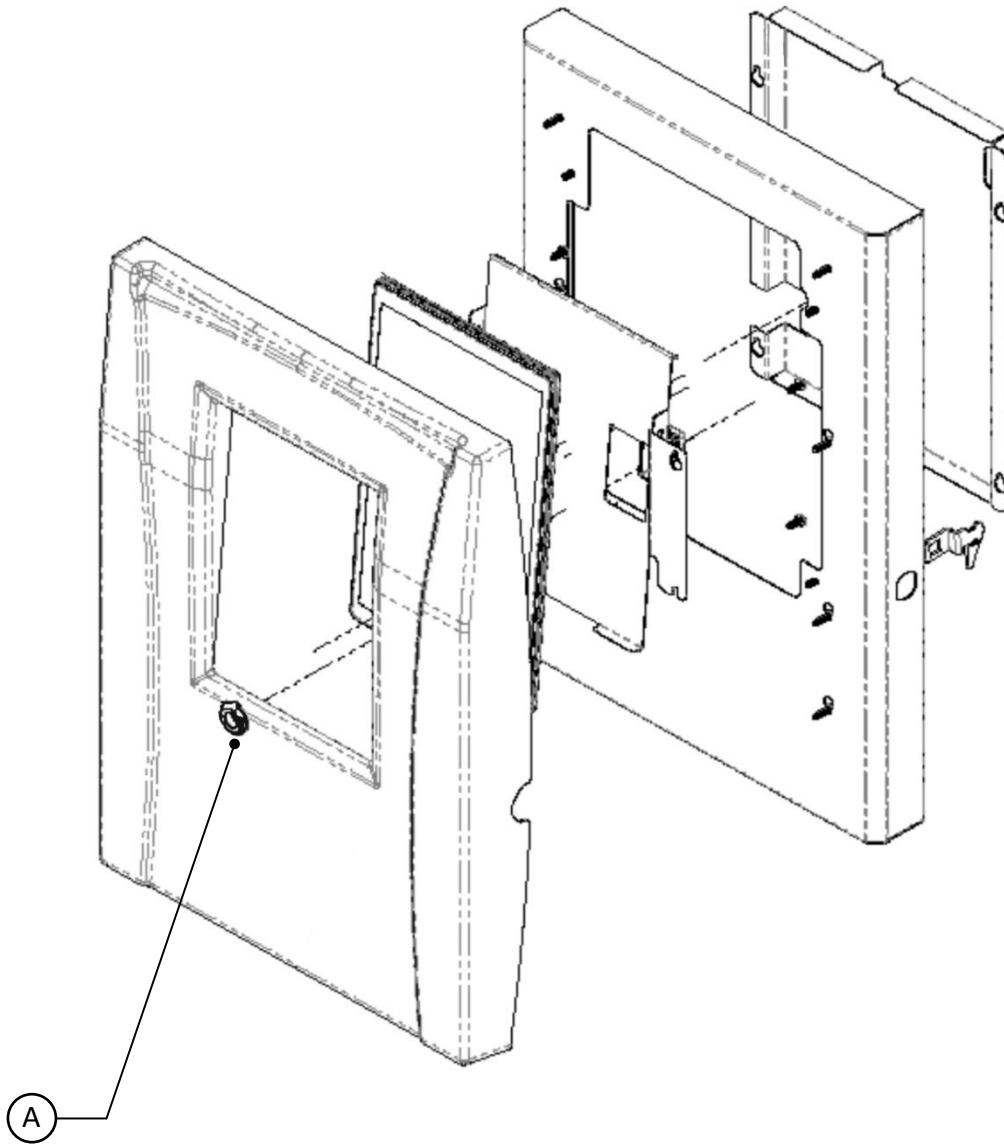
ITEM NO.	PART NO.	DESCRIPTION
10	120558	LOCK ASY, BLACK, BISTRO DOOR
10A	121828	KEYS, LOCK ASY
11	128236	PLASTIC DOOR PANEL, BLACK
12	128232	TABLET, PROGRAMMED, PRE-TEC, B-TOUCH
13	128237	PANEL, TABLET RETAINER BRACKET, SS
13s	773041	SCREWS FOR 128237 PANEL, TABLET, RETAINER BRACKET (4x EA)
14	128126-BPC	PANEL, DOOR , BLACK, BISTRO TOUCH
15	128182	COVER, TABLET, PRE-TEC, BISTRO TOUCH
15s	105048	SCREWS FOR 128182 COVER, TABLET, PRE-TEC (4x EA)
16	128193	LATCH,EXTENDED ARM, BISTRO

Door Hinge Components *(not shown in illustration)*

ITEM NO.	PART NO.	DESCRIPTION
N/S	781258-B	DOOR HINGE, MALE, BLACK (2x EA PER DOOR ASY)
N/S	781259-B	DOOR HINGE, FEMALE, BLACK (2x EA PER DOOR ASY)
N/S	100212	WASHER (4x EA PER DOOR ASY)
N/S	100191	NUT (4x EA PER DOOR ASY)
N/S	105043-B	SCREW (4x EA PER DOOR ASY)

Door Assembly

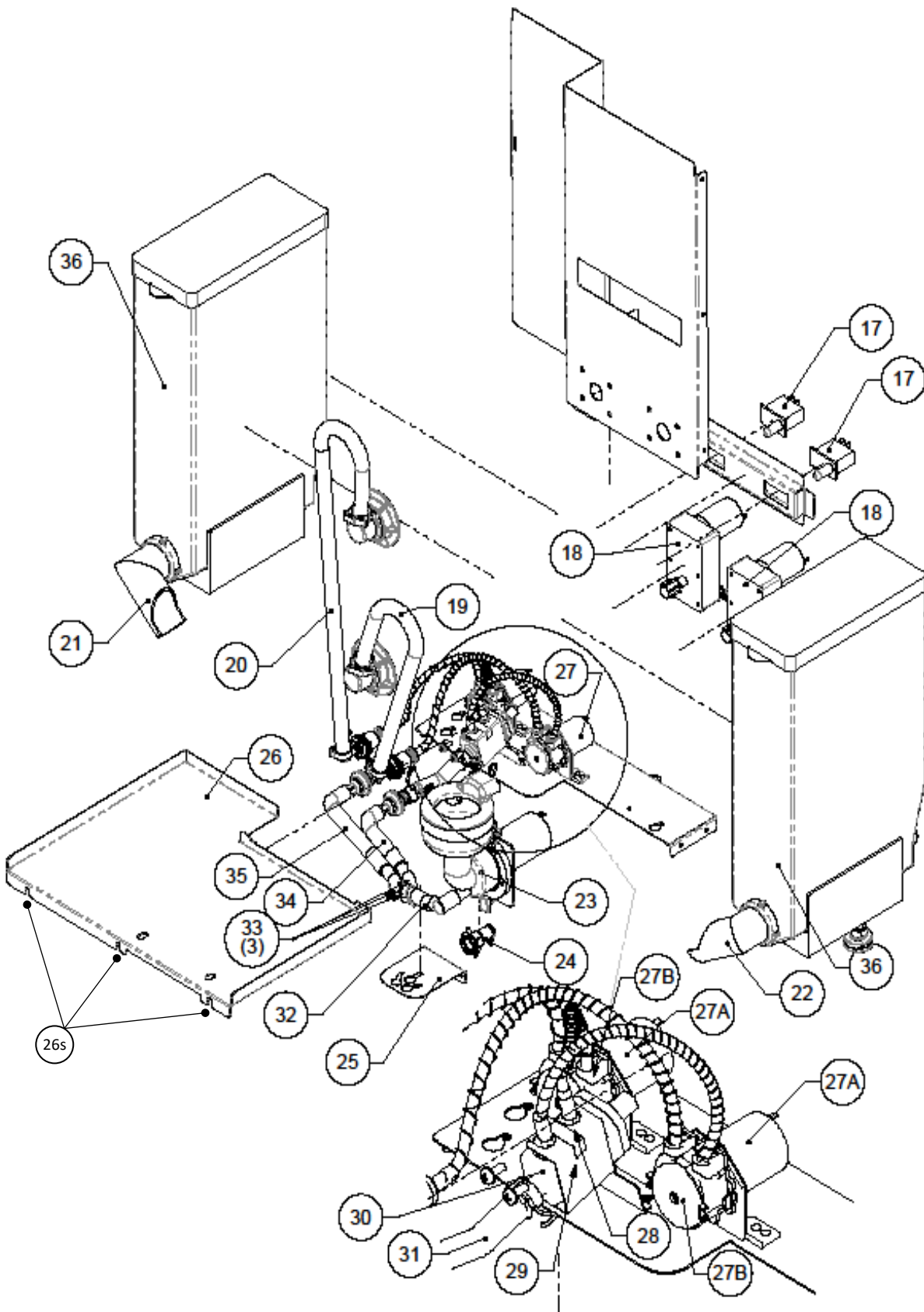
Camera Plug Components



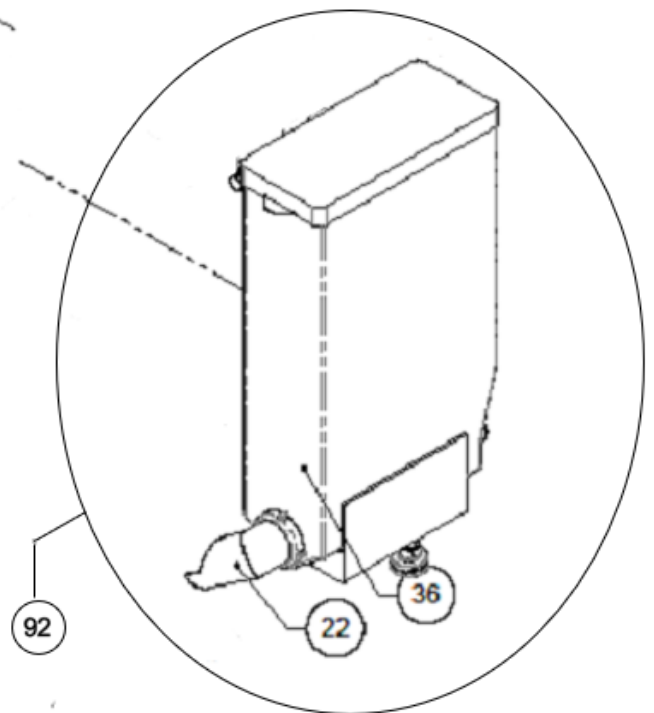
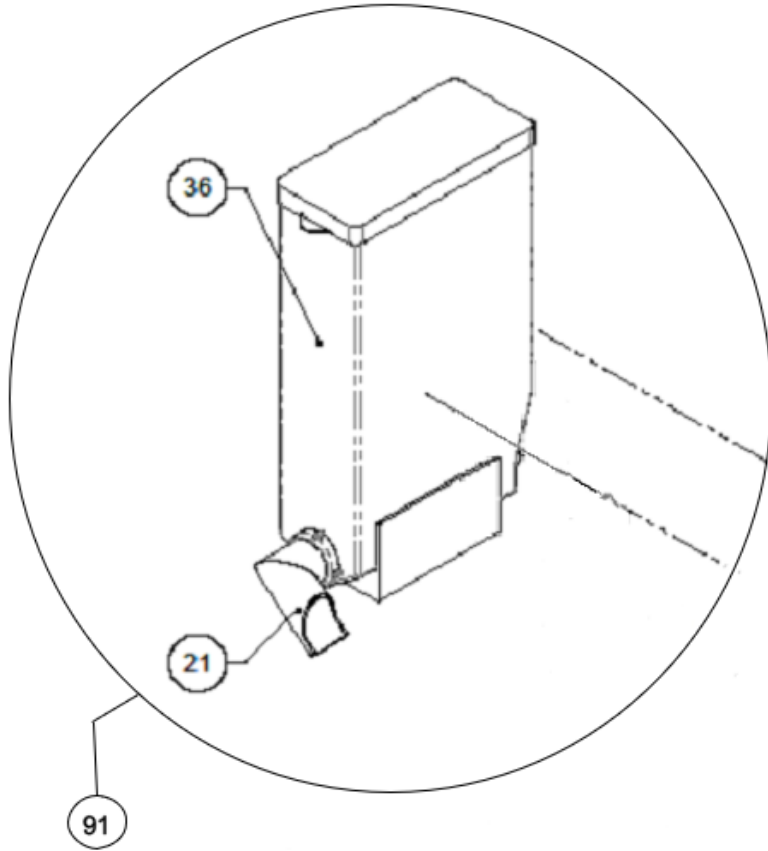
ITEM NO.	PART NO.	DESCRIPTION
A	128003	PLUG HOLE, CAMERA
N/S	128007	CAMERA COVER LABEL
N/S	128008*	MOISTURE BARRIER TAPE

*NOTE: PN 128008 MOISTURE BARRIER TAPE IS APPLIED TO DISPLAY TABLET.

Coffee and Powder Dispensing



Coffee and Powder Dispensing



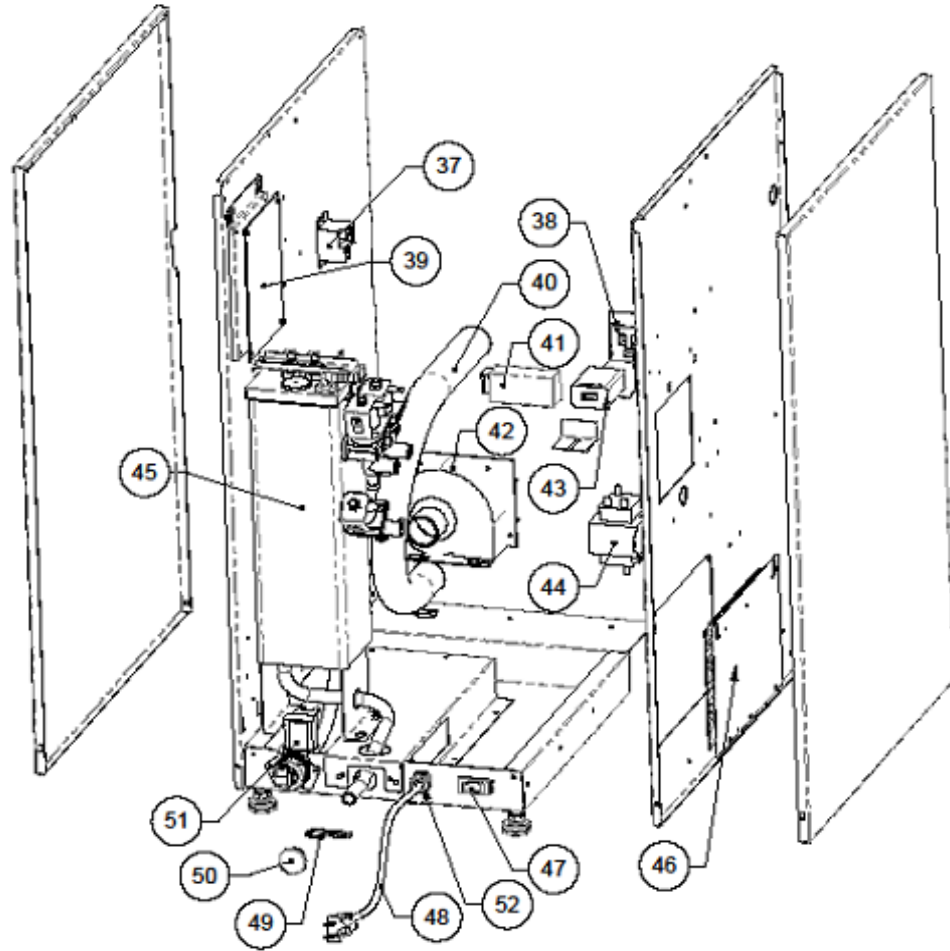
Coffee and Powder Dispensing Parts Listing

ITEM NO.	PART NO.	DESCRIPTION
17	103416	SWITCH, MOMENTARY, PUSH-PULL
18	781587	MOTOR, AUGERS, 90 RPM, 24VDC
19	120422	TUBE ASSY,BIB, GRAY, 12", DECAF
20	123060	TUBE ASY,BIB,GREY 18", COFFEE
21	767201	LH HOPPER ELBOW
22	767202	RH HOPPER ELBOW
23	767203	WHIPPER CHAMBER ASSEMBLY
24	781040	WATER BULKHEAD
25	123017	HOSE POSITION BRACKET
26	128173	CANNISTER SUPPORT SHELF
26s	105043	SCREWS FOR CANNISTER SUPPORT SHELF (3x EA)
27	104155	MOTOR AND PUMP HED ASSEMBLY
27A	104190	PUMP MOTOR ASSEMBLY
27B	120493	KIT-PUMP HEAD ASSEMBLY
28	120436	MIXING CHAMBER WIREFORM CLIP
29	128185	MIXING CHAMBER SUPPORT BRACKET
30	104161	2 PRODUCT MIXING CHAMBER
31	123052	TUBE, SILICONE, 5/16*7/16*4.0"
32	123054	TUBE, SILICONE, 5/16*7/16*1.25"
33	123018	NOZZLE,DISPENSE,BISTRO 10
34	128154	TUBE,SIL,RT/ANGLE,2.5"
35	123118	TUBE,SIL,RT/ANGLE,4.0"
36	128144	HOPPER, BISTRO TOUCH

ITEM NO.	PART NO.	DESCRIPTION
*91	128112	RH HOPPER ASSEMBLY
	123056	LABEL, MILK, HOPPER
	128144	HOPPER, BISTRO TOUCH
	767202	RH HOPPER ELBOW
*92	128113	LH HOPPER ASSEMBLY
	123057	LABEL, CHOCOLATE, HOPPER
	128144	HOPPER, BISTRO TOUCH
	767201	LH HOPPER ELBOW

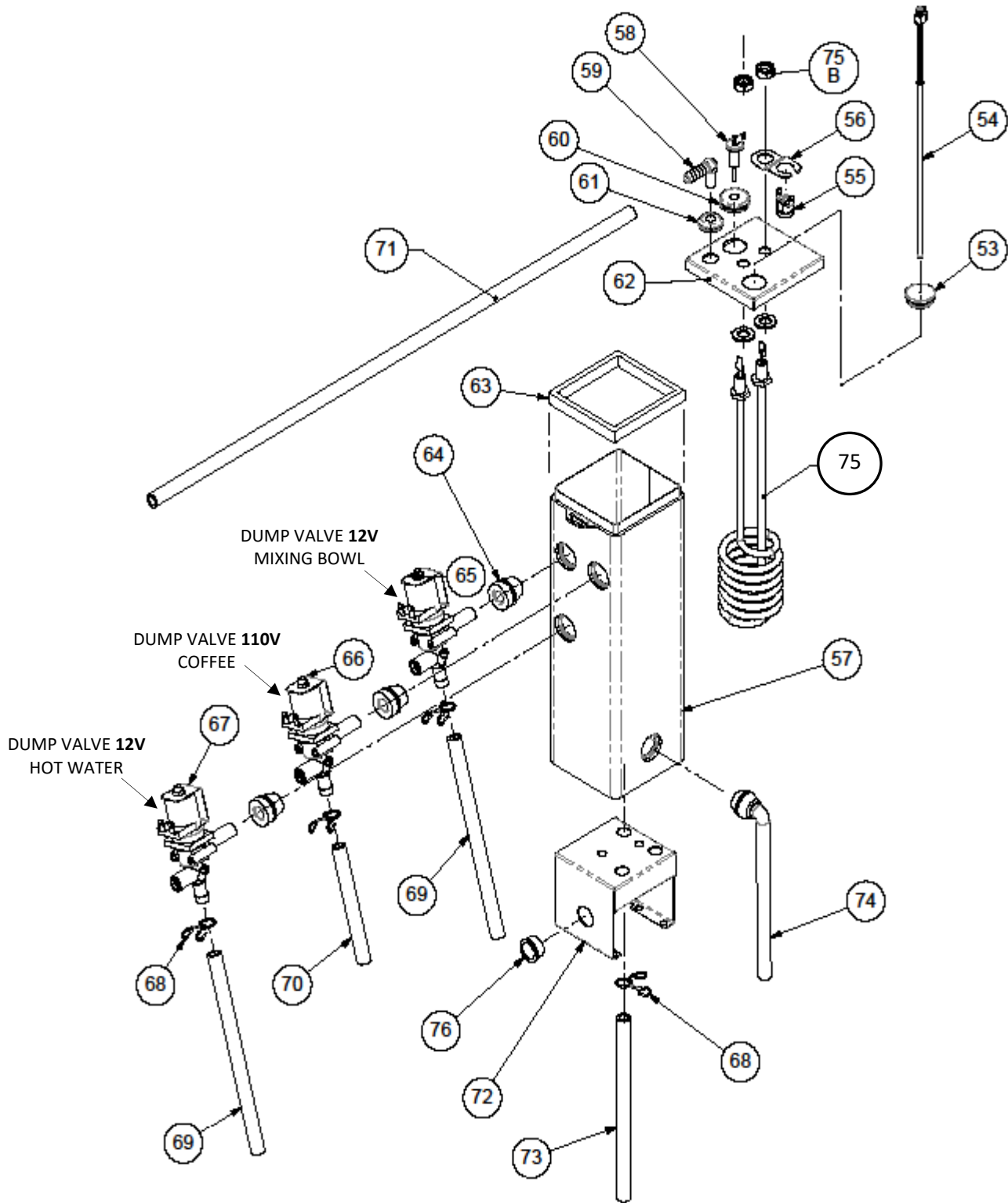
*NOTE: HOPPER ASSEMBLY INCLUDES HOPPER,
LABEL, AND ELBOW.

Electrical Components



ITEM NO.	PART NO.	DESCRIPTION
37	110958	HEATER RELAY 12VDC COIL
38	100340	CONVENIENCE OUTLET FOR CHARGER
39	128240	AUXILIARY BOARD CONTROL ASSY BISTRO TOUCH
40	767398	BLOWER MOTOR HOSE 1.25" X 18"
41	123203	KIT, 24 VAC TO 12VDC POWER CONV FOR FAN
42	781647	110VAC BLOWER MOTOR
43	782530	TABLET POWER SUPPLY
N/S	782531	USB POWER CORD, TABLET (NOT SHOWN)
44	105115	POWER TRANSFORMER 110VAC TO 12/24VAC
45	128141	TANK ASY,1600W,BIST TOUCH
46	128249	MAIN CONTROL BOARD ASY BISTRO TOUCH
47	110626	SWITCH,DP/ST,RECT,ROCKER (POWER)
48	781843	POWER CORD 14/3
49	120578	DRAIN TUBE CLAMP
50	120575	DRAIN TUBE PLUG
51	120378	INLET VALVE ASSEMBLY 110VAC
52	101035	GROMMET, STRAIN RELIEF

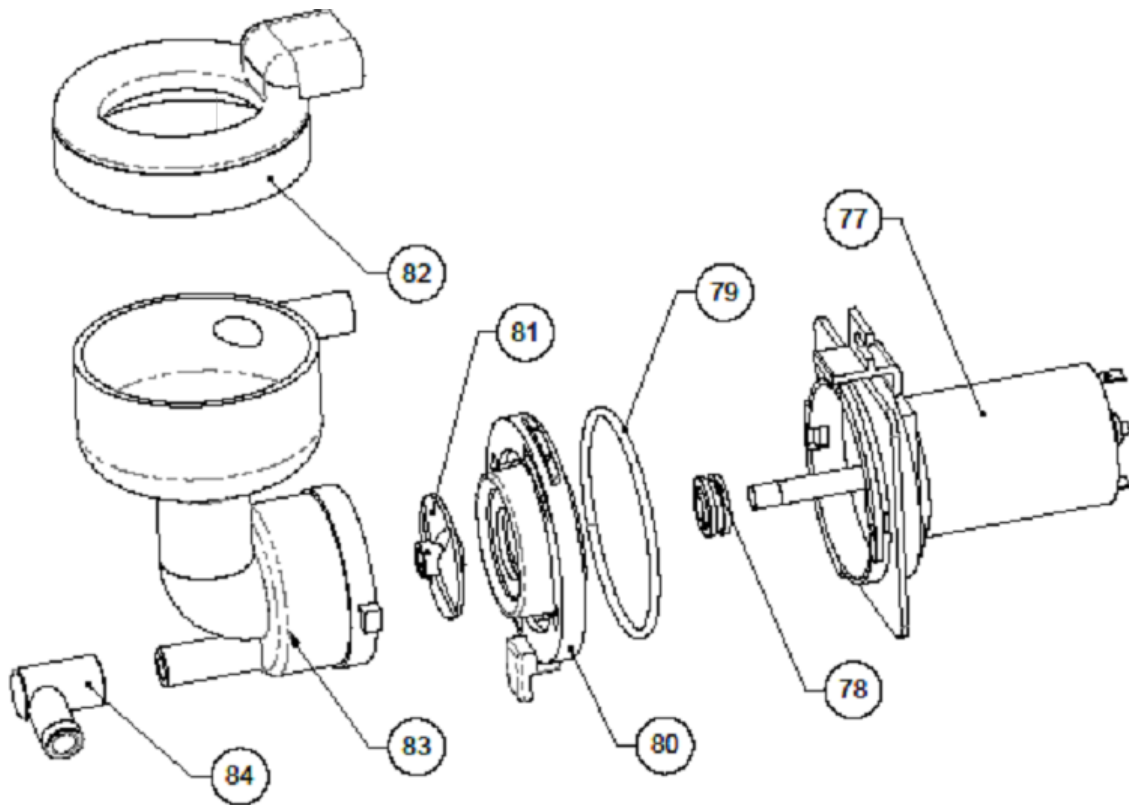
Tank Components



Tank Components Parts Listing

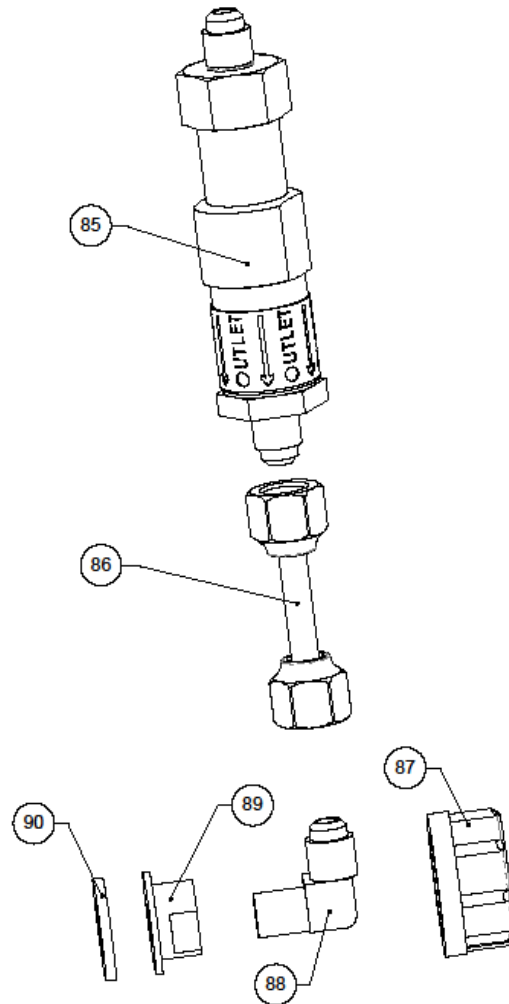
ITEM NO.	PART NO.	DESCRIPTION
53	500038	GROMMET, SILICONE, .060, NO SLIT
54	151677	PROBE, TEMP, DUAL, 7.312, THERMISTOR
55	111593	THERMOSTAT, MANUAL, 221 F, 25A
56	100269	BRACKET, HI-LIMIT THERMOSTAT
57	120898	TANK BODY WITH INSULATION, LCD-1
58	500398	PROBE, 1.818 & BUSHING ASY
59	120159	ELBOW, 3/8 BARB, 3/8 STEM, 5/8 L, MODIFIED
60	500350	GROMMET, BUSHING, PROBE, .875 DIA
61	101938	GROMMET (OVERFLOW ELBOW)
62	120927	LID COVER MINI LCD
63	120929	GASKET-TANK-LCD-1
64	131133	GROMMET, VALVE
65	123110	DUMP VALVE, MULLER, 12V (MIXING BOWL)
66	123111	DUMP VALVE, MULLER, 110V (COFFEE)
67	123117	DUMP VALVE, MULLER, 12V (HOT WATER) WITH 8" VENT TUBE
68	411039	CLAMP, HOSE, .510 ID
69	121898	TUBING, SILICONE, .312 ID, .50 OD, 13.5 L(121899)
70	121897	TUBING, SILICONE, .312 ID, .50 OD, 8.37 L(121899)
71	121895	TUBE-SILICONE , .312 X .500 ,OVERFLOW, 24"
72	121336	BRACKET, TANK MOUNTING, LCD-1, HOT/AM
73	121449	TUBING, SILICONE, .312 ID, .50 OD, 20.0 L(121899)
74	121348	TUBE-SILICONE, RIGHT ANG. CONNECTOR, 7"
75	120928	ELEMENT ASY, 1600 W, 120 V (75A & 75B)
76	100003	BUSHING, SNAP 3/4 PLASTIC

Whipper Chamber



ITEM NO.	PART NO.	DESCRIPTION
77	767195	WHIPPER MOTOR
78	781566	WHIPPER SEAL
79	767390	O-RING , WHIPPER BASE
80	767196	WHIPPER BASE
81	767197	WHIPPER IMPELLER
82	767376	WHIPPER STEAM CAP
83	767365	WHIPPER BOWL
84	767200	WHIPPER NOZZLE

Plumbing, Cleaning, Labels

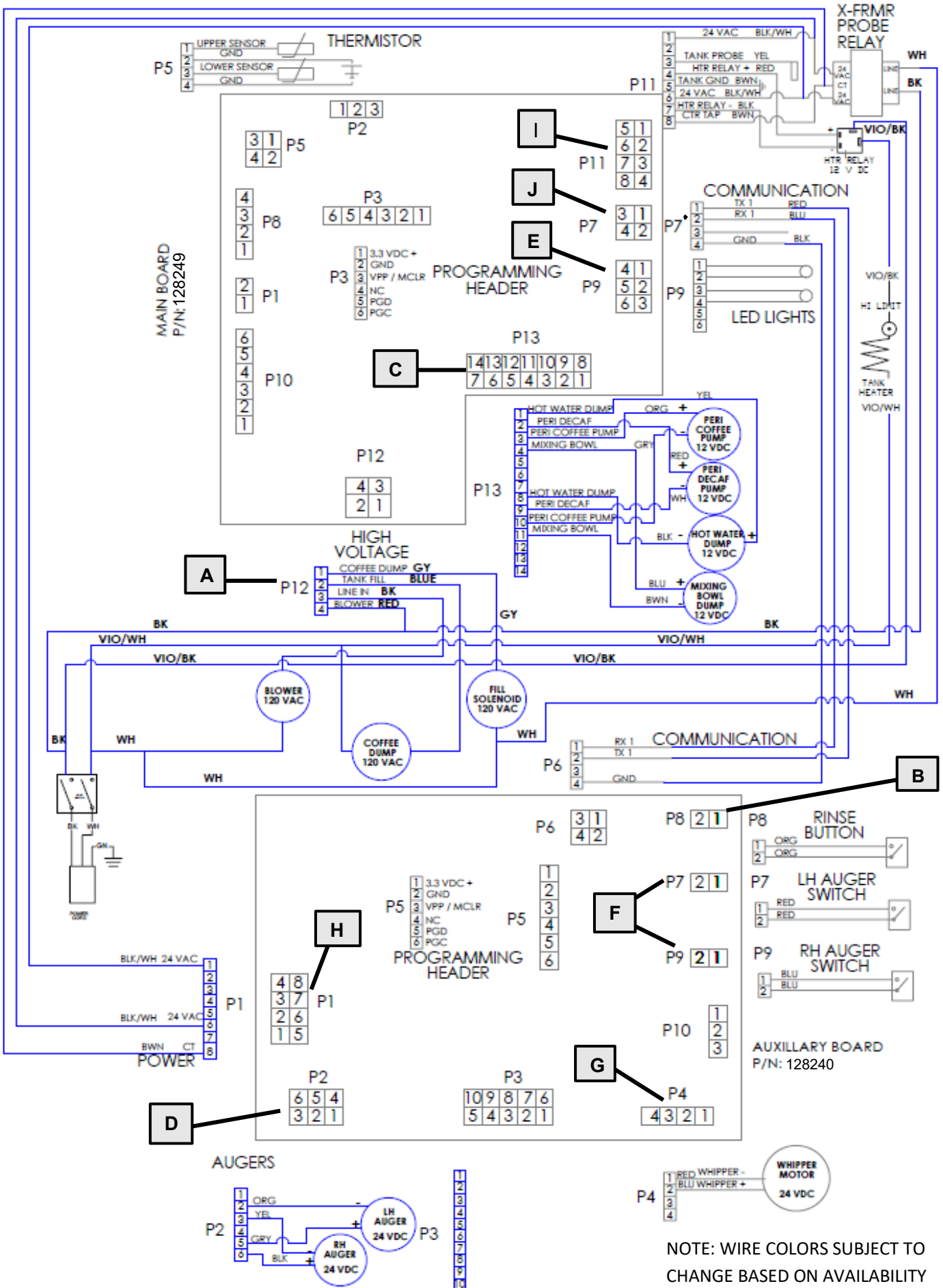


ITEM NO.	PART NO.	DESCRIPTION
85	202103	STRAINER ASY,1/4FL,S/S
86	704209	FITTING ASS'Y,CU,1.5"
87	111177	PLASTIC NUT, 1.25"
88	100177	ELBOW,MALE,1/4FX1/8NPT
89	101377	FITTING, SOLENOID, 1/8" NPT
90	111178	SILICONE GASKET

Miscellaneous Parts

ITEM NO.	PART NO.	
	123055	LABEL SET, MILK CHOCOLATE, FOR HOPPERS
	123094	LABEL, DECAF/COFFEE, BISTRO
	900083	CLEANER, EASY CLEAN
	780868	LUBRICANT, FOOD GRADE, 0.25oz

Harnesses



NOTE: WIRE COLORS SUBJECT TO CHANGE BASED ON AVAILABILITY

Harnesses Parts Listing

ITEM NO.	PART NO.	DESCRIPTION
A	128115	HARNESS,LINE BISTRO TOUCH
B	123025	HARNESS,RINSE BUTTON,BISTRO 10
C	128134	HARNESS,PUMPS,BISTRO TOUCH
D	128135	HARNESS,AUGERS,BISTR TOUCH
E	128140	HARNESS & LED,BISTRO TOUCH
F	783054	HARN,HOPPER SWITCHES,BISTRO TOUCH
G	783055	HARN,WHIPPER,BISTRO TOUCH
H	783057	HARN,TRANSFORMER #2,BIST TOUCH
I	783060	HARN,TRANSFORMER/TNK,BIST TOUC
J	783062	HARN,BOARD COMMUNICATION,BISTRO TOUCH