

TELESCOPING SERIES

FC-TS

ONE BREWER...THE SOLUTION

Newco's Telescoping Brewer that adjusts to fit your dispensers.

- Ready light indicates optimum brew temperature.
- Flashing brew light alerts user that coffee is brewing.
- Universal base for perfect dispenser alignment.
- Gravity fed hot water faucet for tea, soups and hot cocoa.
- Tank "ON/OFF" switch for easy installation.
- Pulse brewing option - when turned "on" allows pulsation of water over coffee grounds of coffee.
- Auto arm capable. When activated locks out brew cycle until optimum temperature is achieved.
- Dump Valve



FC-TS 120730
Shown Here with Dispenser 112005

Newco's FC Telescoping design accommodates all/any of thermal vessels shown below:

DISPENSER OPTIONS



109115



111445



112005



112006



120705



121282-NSF



121816



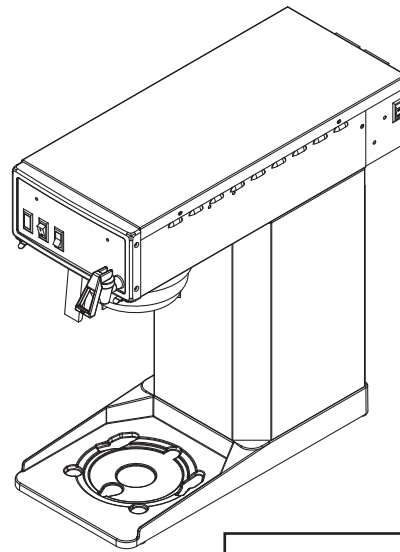
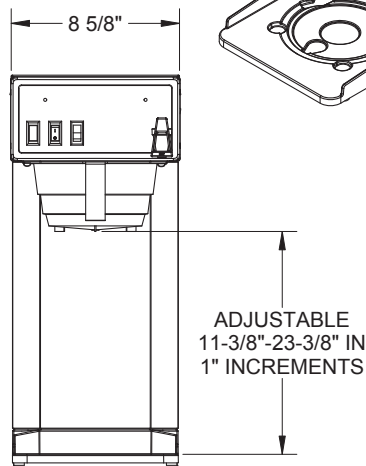
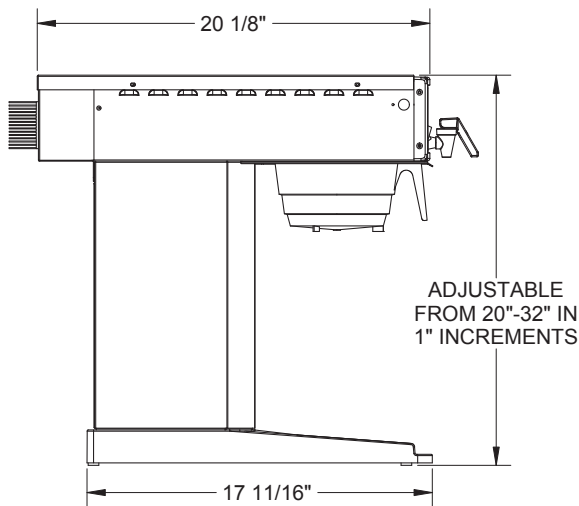
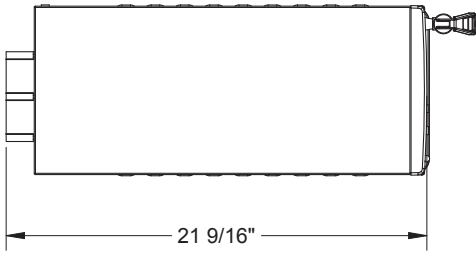
121818



120818



TELESCOPING FC MODEL



MACHINE HEIGHT	BASKET CLEARANCE IN INCHES
19.56.....	11.5
20.56.....	12.5
21.56.....	13.5
22.56.....	14.5
23.56.....	15.5
24.56.....	16.5
25.56.....	17.5
26.56.....	18.5
27.56.....	19.5
28.56.....	20.5
29.56.....	21.5
30.56.....	22.5
31.56.....	23.5

Item #	Model	Physical Dimensions			Ship Wt.	US Electrical			Canada Electrical		
		H	W	D		Volts	Watts	Amps	Volts	Watts	Amps
120730	FC-TS	VAR	8.5	16.4	34	120	1750	14.6	120	1400	11.7

Plumbing: Water line should be 20-90 PSI and have a minimum flow rate of 1.5 GPM. Mechanical connection on brewer is 1/4" male flare connector

Electrical: 120V models are 2 wires plus ground service rated 120V, single phase, 60Hz. 120/240 V models are 3 wires plus ground service rated 120/240 V, single phase, 60Hz

*Cord not included on 240v models. Available for purchase. Contact Customer Service.