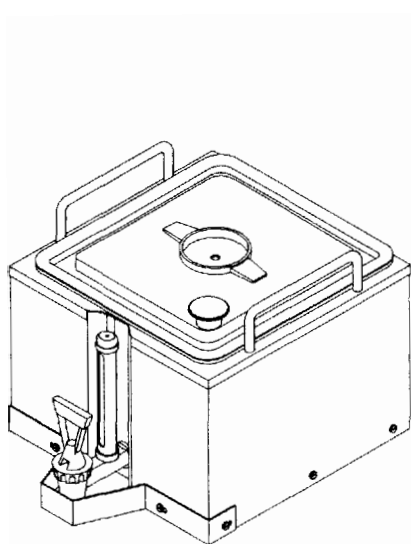
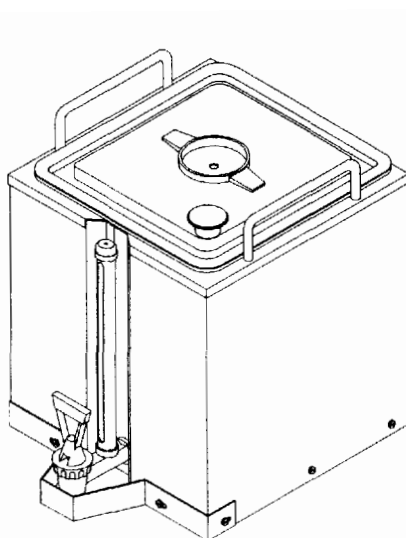


# **NEWCO** *G-DISPENSER*

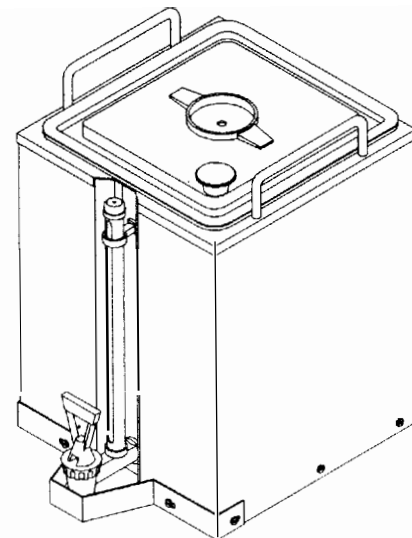
REPLACEMENT PARTS CATALOGUE  
AND ACCESSORIES



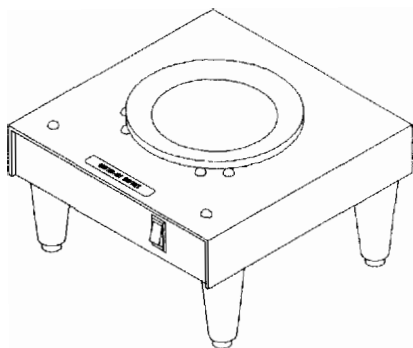
**G-15**



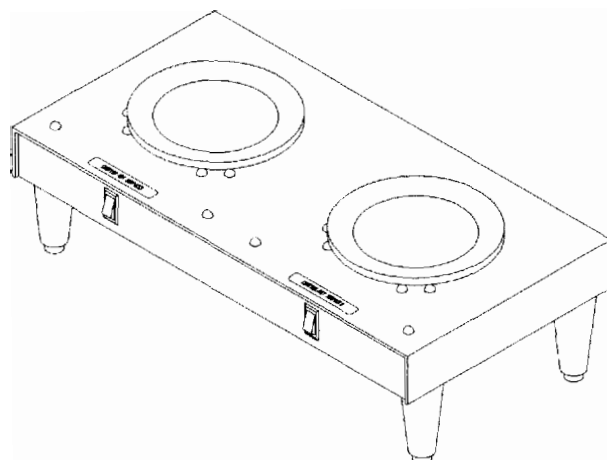
**G-25**



**G-30**



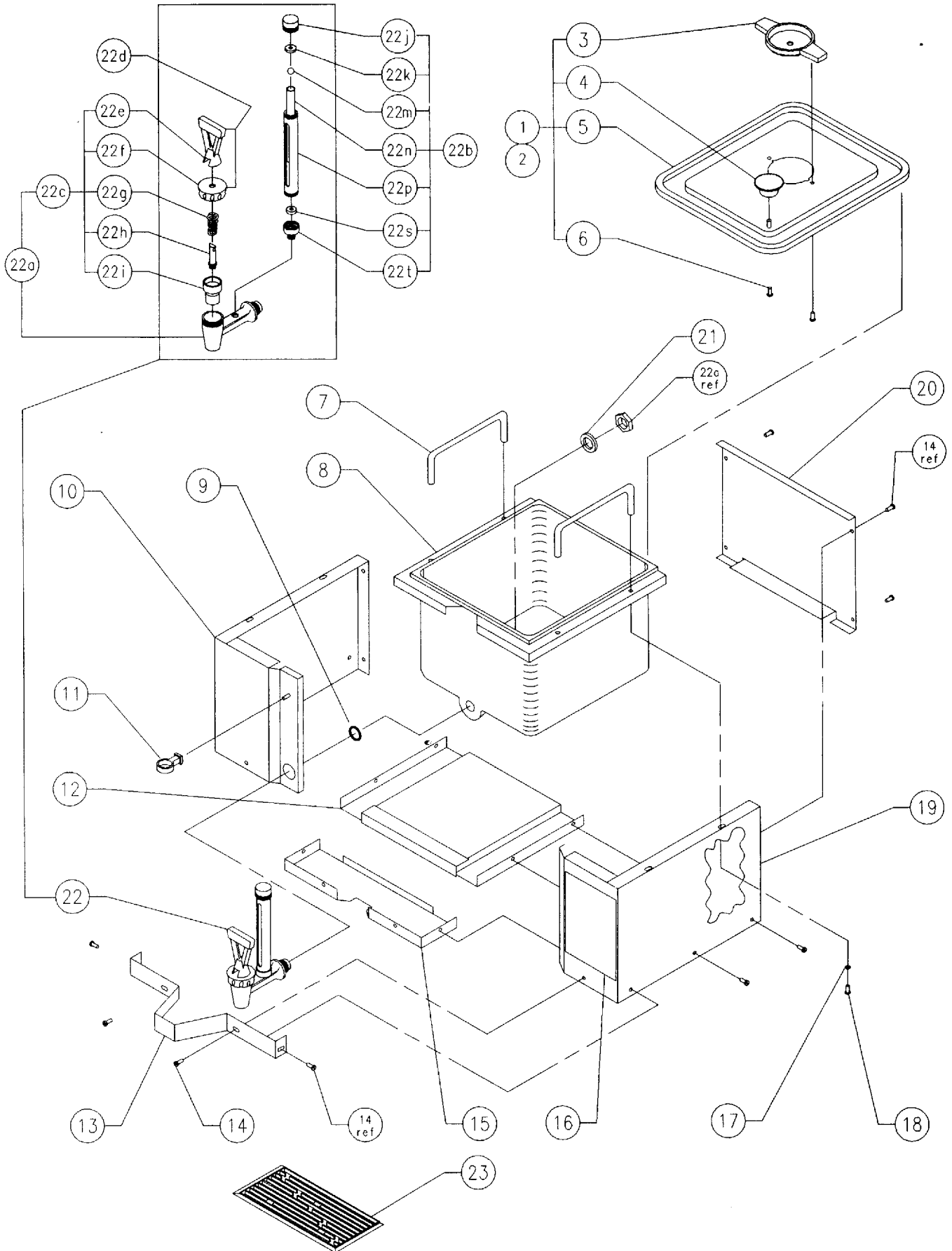
**GW1**



**GW2**

## **NEWCO Enterprises, inc.**

# DISPENSER ASSEMBLY

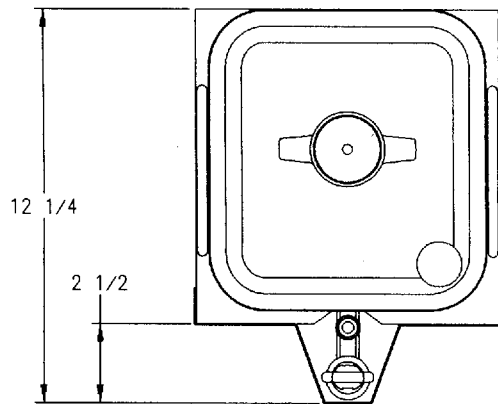


DISPENSER PARTS LIST

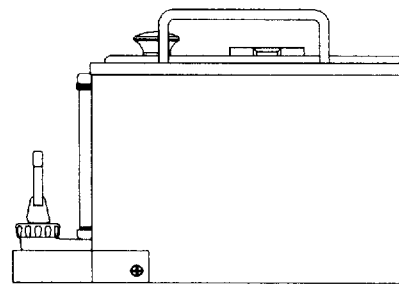
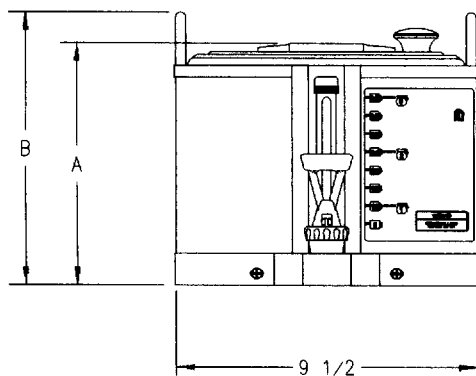
<u>Item</u>	<u>Description</u>	<u>Part No</u> G-15	<u>Part No</u> G-25	<u>Part No</u> G-30
<b><u>Cabinet Parts</u></b>				
1	Lid Assy, S/S	101566	101566	101566
2	Lid Assy, Plastic (items 3-6 not reqd)	700539	700539	700539
3	Lid Top, Brew Thru, Black	151538	151538	151538
4	Knob, Dispenser, Black	700465	700465	700465
5	Lid, Dispenser	101568	101568	101568
6	Screw, #6 X 1/4"	101571	101571	101571
7	Handle, Dispenser, Red	700777	700777	700777
7	Handle, Dispenser, S/S	700457	700457	700457
8	Tank, Rectangular	101561	101562	101563
9	O-Ring, Faucet	101572	101572	101572
10	Wrapper, Dispenser, L.H.	700463	701306	701381
11	Brace, Gauge Shield, Black	N/A	N/A	701372
12	Bottom Assembly, Dispenser	700478	700478	700478
13	Guard, Faucet	700458	700458	700458
14	Screw, 6-32 X 3/8"	102333	102333	102333
15	Bottom, Faucet, Dispenser	700467	700467	700467
16	Label, Volume Indicating	700992	700993	700994
17	Washer	700509	700509	700509
18	Screw, 6-32 X 1/2"	701309	701309	701309
19	Wrapper, Dispenser, R.H.	700462	701307	701313
20	Back, Dispenser	700468	701308	701314
21	Gasket, Faucet	790019	790019	790019
<b><u>Faucet Parts</u></b>				
22	Faucet And Gauge Assembly	700435	700436	700437
22a	Faucet Assembly, Red	700304	700304	700304
22b	Gauge Assembly	700311	700312	700313
22c	Bonnet Assembly, Faucet, Red	700612	700612	700612
22c	Bonnet Assembly, Faucet, Black	700613	700613	700613
22d	Bonnet and Handle Kit, Orange/Green	110717	110717	110717
22e	Handle, Faucet, Red	700327	700327	700327
22e	Handle, Faucet, Black	701283	701283	701283
22f	Bonnet, Faucet, Red	700334	700334	700334
22f	Bonnet, Faucet, Black	700614	700614	700614
22g	Spring, Faucet	700407	700407	700407
22h	Stem, Faucet	700408	700408	700408
22i	Seat Cup, Faucet	700409	700409	700409
22j	Cap, Gauge Shield	100838	100838	100838
22k	Washer, Upper, Gauge Shield	100621	100621	100621
22m	Indicator, Floating	N/A	100638	100638
22n	Glass, Gauge	100672	700616	700617
22p	Shield, Gauge	100601	700618	700619
22s	Washer, Lower, Gauge Shield	100622	100622	100622
22t	Base, Gauge Shield	100819	100819	100819
<b><u>Misc Parts</u></b>				
23	Drip Pad, Black	781488	781488	781488
24	Brush, Gauge Glass	110599	110599	110599

Note: All part numbers shown are for stainless steel version of dispenser.

## DISPENSER DIMENSIONAL DIAGRAM



Dispenser Model	Capacity Gallons	Dimensions		Wgt In Lbs	
		A	B	Empty	Full
G-15	1-1/2	7 3/8"	8 1/2"	7.7	20.2
G-25	2-1/2	11"	12 1/8"	9.7	30.4
G-30	3	12 3/4"	13 7/8"	10.7	35.7



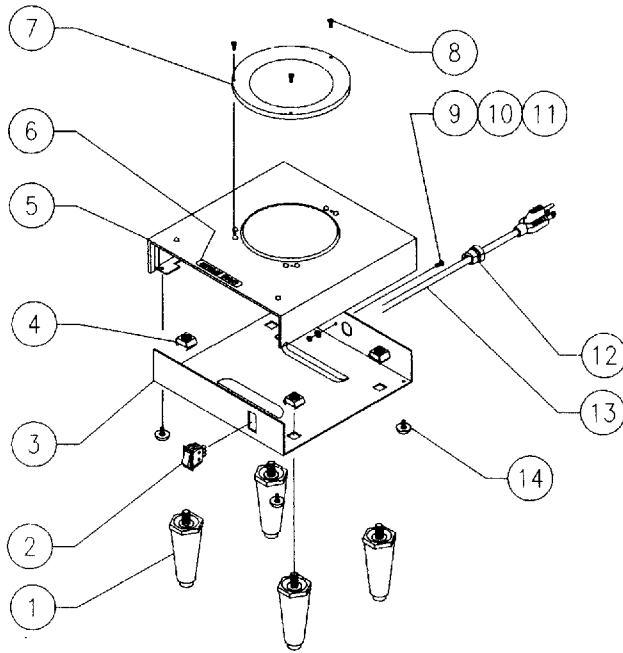
## CARE AND MAINTENANCE

Using a daily routine of cleaning all external and internal surfaces should maintain the dispenser's new appearance.

**IMPORTANT** – Do not use cleansers, bleach liquids, powders or other substances that contain chlorine. These products promote corrosion and will pit the stainless steel.

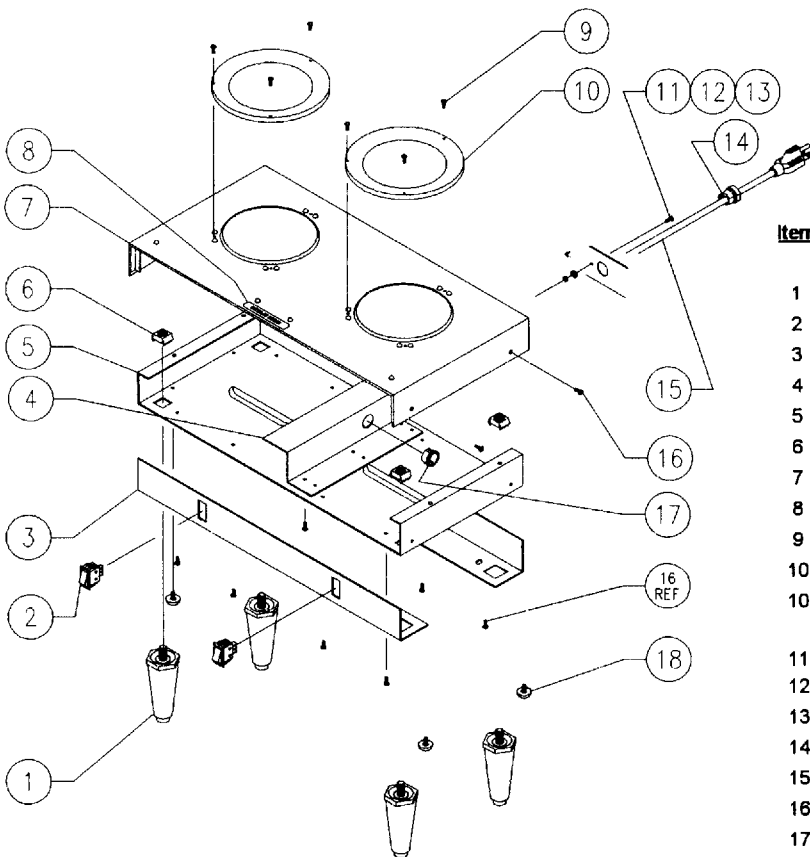
1. Wipe off any spills, dust or debris from exterior surfaces.
2. Rinse inside of dispenser and lid with clean water. Dry thoroughly with clean cloth.
3. Clean the outside of dispenser with stainless steel polish. Coarser agents may scratch the dispenser.
4. Clean the faucet seat cup (item #22i in the parts list) once a week and replace if cracked or leaking.
5. Clean the faucet gauge glass (item #22n in the parts list) as necessary by brushing and rinsing with clean water.
6. Clean the drip pad (item #23 in the parts list) by brushing and rinsing with clean water.

GW1 WARMER ASSEMBLY



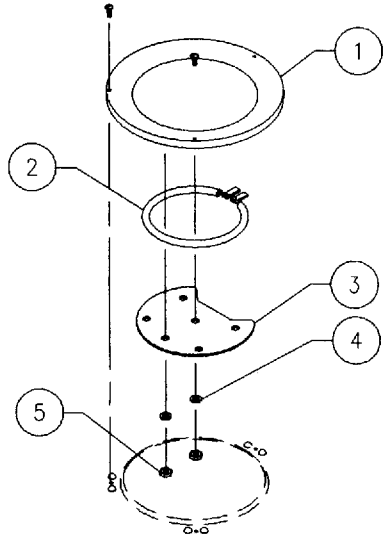
Item	Part No	Description
1	100542	Leg, Black Plastic, 4"
2	100085	Switch, Lighted SPST, Red Rocker
3	700474	Bottom, Warmer
4	704103	Nut, Tinnerman Retainer
5	700479	Top, Warmer
6	100254	Decal, "CAUTION: HOT SURFACES"
7	100809	Warmer Plate Assy, Black, 120W 120V
7	110875	Warmer Plate Assy, Black, 150W 120V (used with G-25, G-30 Dispensers)
8	100160	Screw, 4-40 X 5/8"
9	100242	Screw, 8-32 X 1/4"
10	100054	Washer, #8 Lock
11	100061	Nut, Hex, 8-32
12	100023	Grommet, Strain Relief, Cord
13	700489	Cord Assy, Power (refer to page 6)
14	100078	Foot, Bumper

GW2 WARMER ASSEMBLY



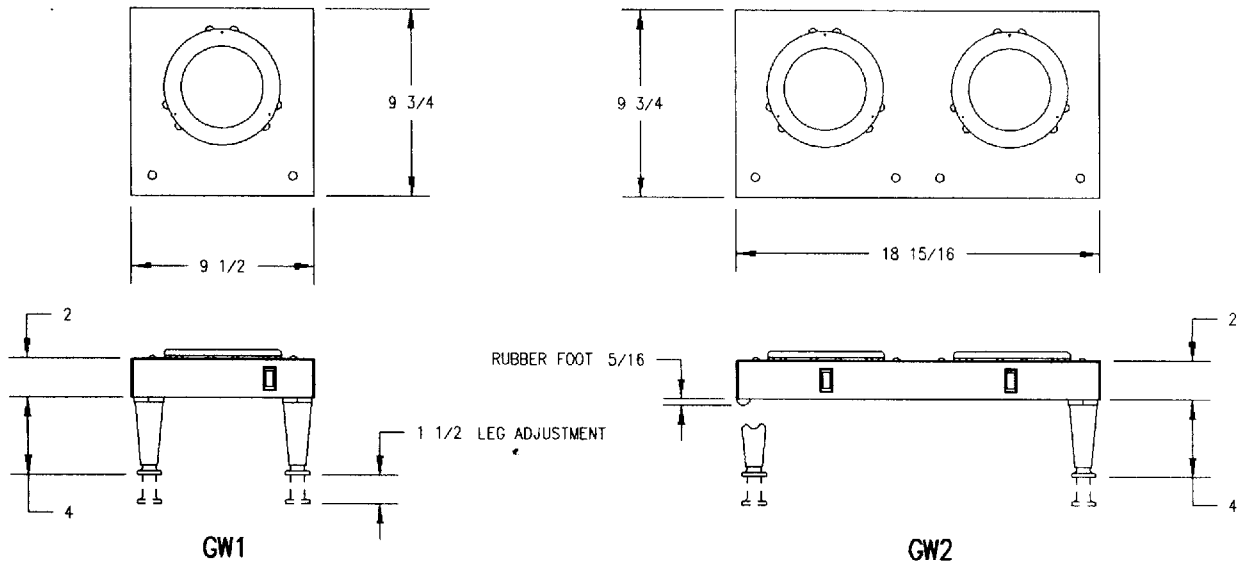
Item	Part No	Description
1	100542	Leg, Black Plastic, 4"
2	100085	Switch, Lighted SPST, Red Rocker
3	701567	Face Plate, Front
4	700452	Support, Warmer Top
5	701561	Bottom, Warmer
6	704103	Nut, Tinnerman Retainer
7	701558	Top, Warmer
8	100254	Decal, "CAUTION: HOT SURFACES"
9	100160	Screw, 4-40 X 5/8"
10	100809	Warmer Plate Assy, Black, 120W 120V
10	110875	Warmer Plate Assy, Black, 150W 120V (used with G-25, G-30 Dispensers)
11	100242	Screw, 8-32 X 1/4"
12	100054	Washer, #8 Lock
13	100061	Nut, Hex, 8-32
14	100023	Grommet, Strain Relief, Cord
15	701569	Cord Assy, Power (refer to page 6)
16	511027	Screw, 8-32 X 3/8"
17	100003	Bushing, 3/4" Snap
18	100078	Foot, Bumper

## WARMER PLATE ASSEMBLY



Item	Part No	Description
1	100008	Plate, Warmer, Black Porcelainized
2	202053	Element, 120W 120V
2	110959	Element, 150W 120V
3	100086	Plate, Element Support
4	100054	Washer, #8 Lock
5	100061	Nut, Hex, 8-32

## WARMER DIMENSIONAL DIAGRAM



## WARMER WIRING DIAGRAM

Item	Part No	Description
1	700489	Cord Assy, Power
2	701569	Cord Assy, Power
3	103021	Lead, 18Ga Black 6" Teflon 1S-2

