

NHW-15

HOT WATER MACHINE

DUAL VOLTAGE: Convertible for 110 or 220 voltage applications for site flexibility and inventory management.

TVT PROGRAMMING TECHNOLOGY: Leading edge digital programming from Newco allows for easier set up and operational accuracy.

LARGE LCD DISPLAY: Quick referencing of system settings for efficient operator management.

SELF MONITORING: 6 Potential error modes and dual zone temperature readout indicate system status for convenience of operation and pre-service trouble shooting.

ADVANCED TEMPERATURE CONTROL: dual thermistors (top and bottom) ensure consistent temperature draw throughout the tank.

AUTOMATIC PRE-FILL: Fills on initial hook up for convenience of install. Element is activated only when water level has reached the top probe.

BOLD CAUTION DECAL: Bilingual "CAUTION VERY HOT WATER" decal reinforces operator safety and awareness.

DURABILITY: Stainless steel exterior and tank assembly.

STANDARD DRIP TRAY: Large capacity drip tray with stainless steel cover for durability and center logo for esthetic appeal.

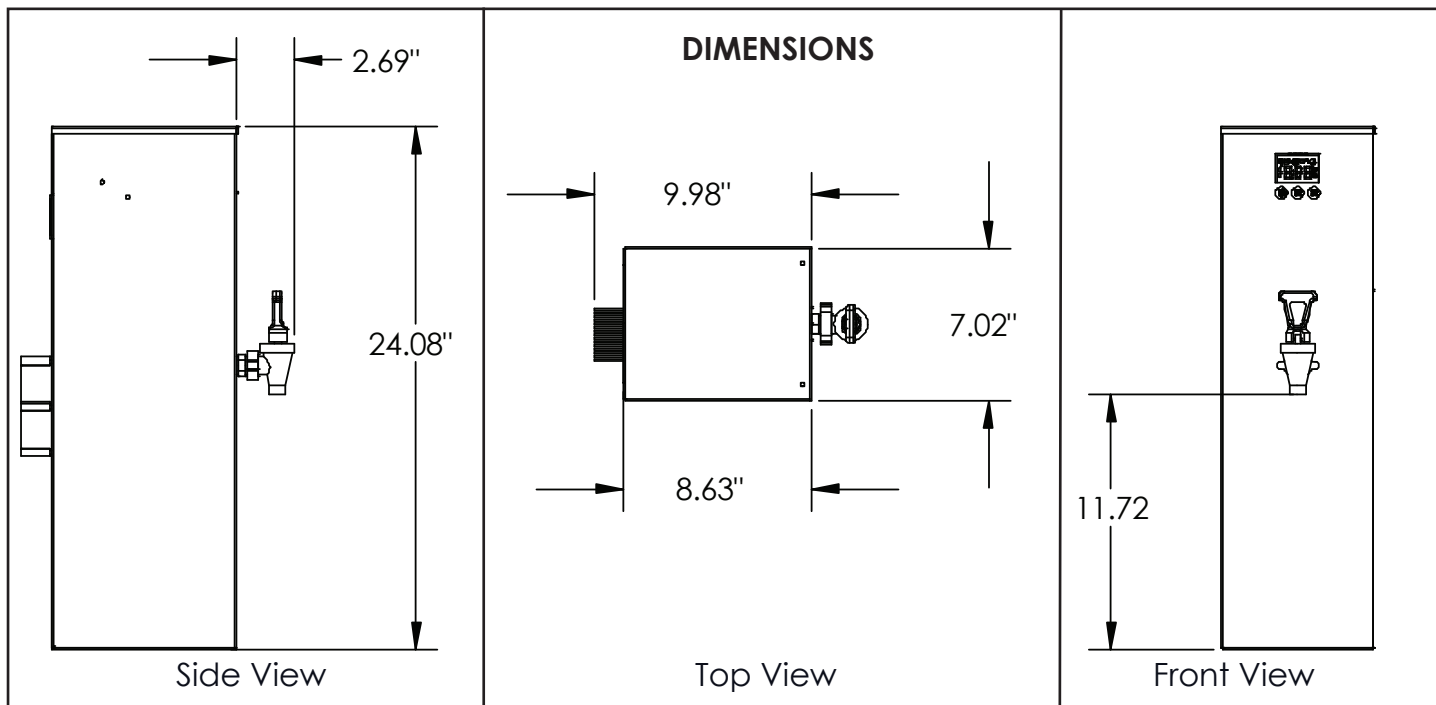
CAPACITY: 2 gallon tank.



NHW-15
Pn: 104100



NHW-15 HOT WATER MACHINE



ELECTRICAL: 120V models are 2 wires plus ground service rated 120V, single phase, 60Hz. 120/240 V models are 3 wires plus ground service rated 120/240 V, single phase, 60Hz

PLUMBING: Water line should be 20-90 PSI and have a minimum flow rate of 1.5 GPM. Mechanical connection on brewer is 1/4" male flare connector.

MODEL	PART NUMBER	HEIGHT	WIDTH	DEPTH	VOLTS	WATTS	AMPS	WEIGHT
NHW-15	PN: 104100	24.3"	7"	14"	120 VOLT	1650W	13.75A	21 LBS
					240 VOLT	6600W	27.5A	