

AK-2

POUR-OVER BREWER



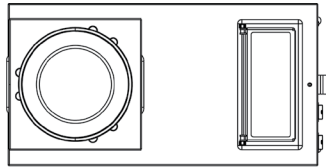
Features

- Perfect "Plug & Brew" 2 station brewer for medium or large size businesses with medium to heavy activity. Set up anywhere. No plumbing.
- Brews into a glass decanter with a 12 cup capacity. [2 ea. 60 oz. glass decanters]
- Developed for medium or large locations like a break room counter top, a sitting room environment or cafeteria and some cases, small convenience stores.
- A "Ready" light indicating that the optimum brewing temperature has been reached. I.E. "Ready to Use."
- Designed with a hot water holding tank delivering hot water immediately when a pitcher of cold water is poured in to the brewer.
- Will brew two [2] 12 cup decanters back to back before optimum brewing temperature will need to be recouped.
- A "on & off" switch is located on the back of the brewer. The switch turns off the hot water tank system.

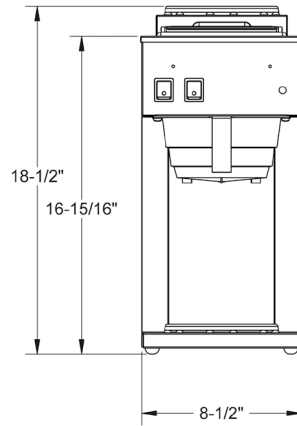
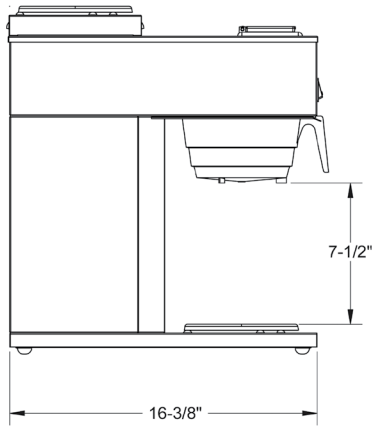
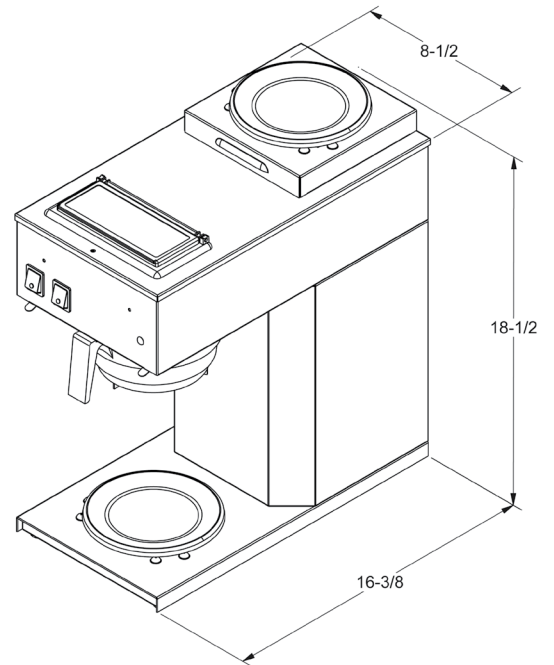
The AK series of pour-over equipment is designed to offer years of trouble free operation while delivering a consistently great cup of fresh hot coffee with every brew. This flexible brewer family accommodates all of today's brewing vessels from traditional glass decanters to the latest in thermal dispensers, airpots and servers offered by Newco.

The AK models incorporate features such as: a traditional displacement hot water tank system, ready light incorporated for optimum brewing temperature, master on/off power switch, and durable stainless steel construction. The AK-AS models incorporate automatic warmer shut down.

AK-2 AK2-AS



AK2, AK2AS



Additional Information

Model	Width	Depth	Height	(USA)	Canada	Weight	CU. FT.
AK-2	8 1/2"	16 3/8"	18 1/2"	14.6A	11.7A	28LB.	7.18
AKH2	8 1/2"	16 3/8"	18 1/2"	14.6A	11.7A	28LB.	7.18