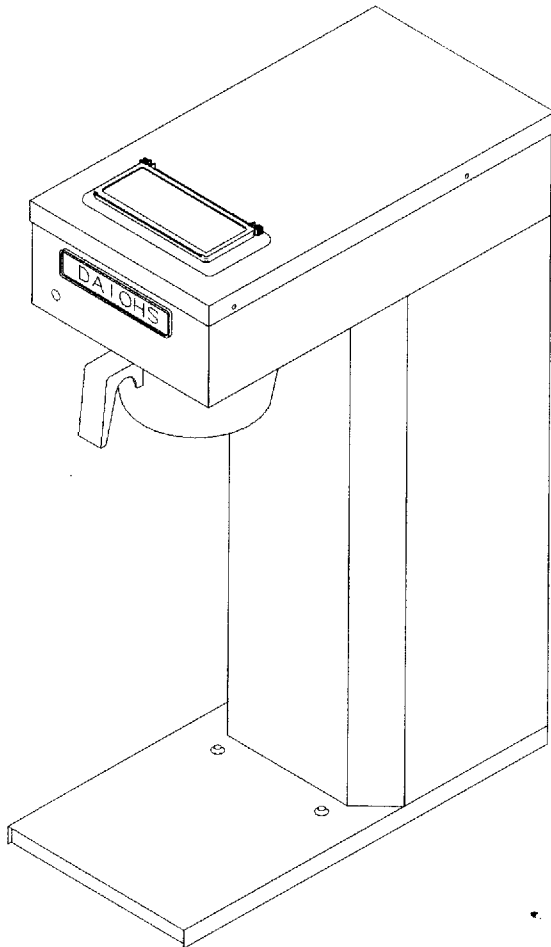
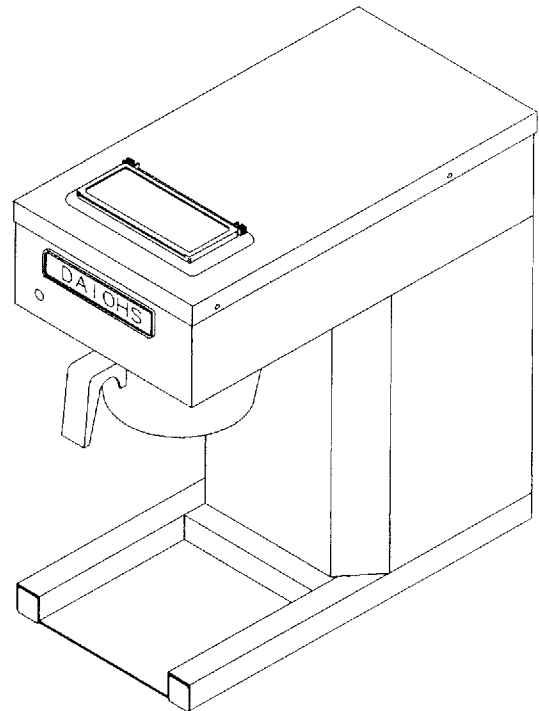


# NEWCO ENTERPRISES

## INSTALLATION and OPERATION MANUAL for OCS SERIES BREWERS



**OCS57-TH(D), TH(P)**



**OCS57-CS, CS(P)**

### BREWER SPECIFICATIONS

Model	No of Warmers	Width	Length	Height	Watts	Amps	Volts
OCS57-CG	1	8.50" 21.6 CM	16.37" 41.6 CM	17.75" 45.1 CM	1000	10	100
OCS57-CS	N/A	8.50" 21.6 CM	16.37" 41.6 CM	18.00" 45.7 CM	1000	10	100
OCS57-CS(P)	N/A	8.50" 21.6 CM	16.37" 41.6 CM	18.00" 45.7 CM	1000	10	100
OCS57-T(D)	N/A	8.50" 21.6 CM	16.37" 41.6 CM	21.00" 53.3 CM	1000	10	100
OCS57-TH(D)	N/A	8.50" 21.6 CM	16.37" 41.6 CM	27.37" 69.5 CM	1000	10	100
OCS57-TH(P)	N/A	8.50" 21.6 CM	16.37" 41.6 CM	27.37" 69.5 CM	1000	10	100

## INSTALLATION INSTRUCTIONS

**WARNING** - Read and follow installation instructions before plugging or wiring in machine to electrical circuit.

### TANK MODELS - OCS57-CG, CS, T(D), TH(D)

- 1) Brewer is shipped with thermostat turned on, (full clockwise position). To fill tank place a decanter under brew basket, raise top evaporation cover and pour three decanters of water through top pour-in screen. Water should come through the brew basket as the third decanter of water drains out of the pour-in basin.
- 2) Plug or wire in machine to appropriate electrical circuit as designated on the brewer serial tag. Turn on the master switch located on the back of the brewer.
- 3) Allow 10 to 15 minutes for water in tank to heat to brewing temperature (indicating light will be on). Additional water may drip from brew basket on initial expansion of water in the tank. This will not occur thereafter.
- 4) After water has reached brewing temperature (indicating light will go off) pour 1/2 decanter of water into the brewer to balance the system. Machine is now ready to use.
- 5) Pour 1 decanter of water through pour-in screen to check for the proper temperature setting with an accurate thermometer. Take the temperature of this water at a point below the brew basket opening, at the start of the brew cycle and when the decanter is half full. Recommended temperature of the water is approximately 195 F. In higher altitude locations (5000 feet above sea level) the thermostat may have to be adjusted lower to prevent boiling.

### HEAT PUMP MODELS - OCS57-CS(P), TH(P)

- 1) Plug or wire in machine to appropriate electrical circuit as designated on the brewer serial tag. Turn on the master switch located on the back of brewer.
- 2) For pump style airpots, remove the pump stem. Place the empty dispenser into position below the brewbasket.
- 3) Raise the top evaporation cover and pour ONE pour pitcher of water through the pour-in screen into basin.
- 4) The brewer will begin to brew (indicating light will go on) as the water level in the basin rises and activates the internal float switch. This first pot will be a few ounces short due to some water retention in the system.
- 5) Machine is now ready to use and will yield a full pot on following brew cycles.

## WARRANTY

Newco coffee brewers are warranted against defects in workmanship or materials, under normal use, for 90 days from the date of purchase. Brewer parts are warranted against defect for 12 months from date of purchase.

Liability in all events is limited to the purchase price paid and liability under the aforesaid warranty is limited to replacing or repairing any part or parts which are defective in material or workmanship, and returned to our factory, shipping cost prepaid. No warranty expressed or implied, other than the aforesaid is made or authorized by Newco Enterprises, Inc.

Prompt disposition will be made if item proves to be defective, within warranty. Before returning any item, write or call Newco, or the dealer from whom the product was purchased, giving model number, serial number, and date of purchase, and describe the nature of the defect. If damage was incurred during transit to you, file claim with the carrier.

## COFFEE PREPARATION PROCEDURES

- 1) Place the filter into brew basket.
- 2) Place the appropriate amount of ground coffee into the filter for the volume of coffee to be brewed.
- 3) Slide the brew basket into holder.
- 4) For warmer units:
  - Place empty decanter on warmer located directly under the brew basket
  - Turn corresponding warmer switch to ON position.For airpots or other dispensers
  - Remove any non brew thru lids or pump stems
  - Place airpot under brew basket.
- 5) Pour decanter of water through pour-in screen into pour in basin.
- 6) Hot water will be delivered through the sprayhead. This distributes the hot water evenly over the coffee bed within the brew basket. The coffee brew will drain from the brew basket into the decanter below.
- 7) The resultant coffee brew should be crystal clear and have the desired properties attainable through excellent extraction.
- 8) TURN OFF WARMER WHEN NOT IN USE. Red light indicates warmer is on.
- 9) To clean brew basket simply remove from brew rails and dump filter into waste basket. The brewing process, as described above, can now be started again.

## LIMING

### TANK MODELS - OCS57-CG, CS, T(D), TH(D)

To prevent liming problems in tank fittings remove sprayhead and insert deliming spring all the way into the tank. When inserted into tank properly, no more than ten inches of the spring should be visible at the sprayhead fitting. Saw back and forth five or six times. This will keep fittings open and clear of lime. In hard water areas this should be done everyday. This process takes approximately one minute. In all areas the sprayhead should be cleaned at least once a week. Where bad liming has already occurred, a new complete tank assembly may be installed. The tank may be changed in approximately 5 minutes time.