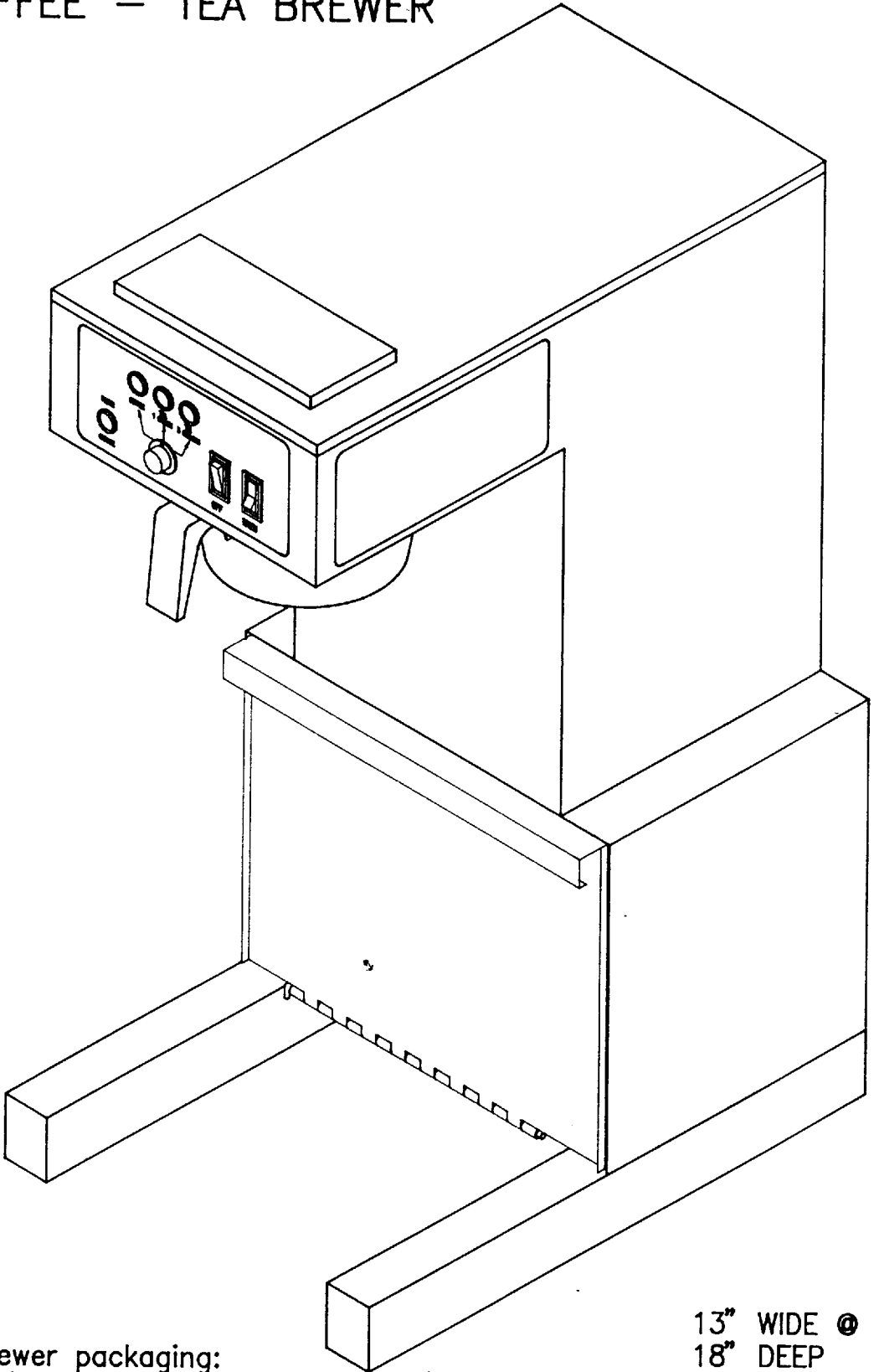


KMA COFFEE — TEA BREWER

F1025



- Included in brewer packaging:
- 1) Filter head/cartridge ass'y
pt no 781380 w/plumbing.
 - 2) 2 Brew baskets
Brown — Coffee
Gold — Tea
 - 3) Tea dilution tube.

13" WIDE @ BASE
 18" DEEP
 28-3/4" HIGH
 120V 15 AMPS

KMA COFFEE - TEA BREWER

FILTER ASSEMBLY INSTALLATION

In order to eliminate damage in shipping filter assembly is not attached to brewer. To install locate and loosen 2 mounting screws on rear of brewer (Fig. 5-A, Page 5) Align filter bracket with the mounting screws. Once aligned allow filter to bottom out on screw and tighten securely. Prior to assembly of filter to the back of unit, you have the option of flushing filter into sink by hooking water up and allowing water flow to run for approximately 5 minutes to flush any trapped air or carbon fines. Next attach angled copper tube to outlet of filter (Fig 5-C, Page 5) and back inlet fitting of brewer (Fig 5-D, Page 5). Pressurize system and check for leaks.

PLUMBERS INSTALLATION INSTRUCTIONS

CAUTION: Power to brewer must be OFF before proceeding with plumbing installation.

- 1) Flush water line before installing brewer. Brewer should be connected to COLD WATER LINE for best operation.
- 2) Water pressure should be at least 30 lbs. For less than a 25 ft run, use 1/4" copper tubing and connect to 1/2" or larger water line. For longer runs, use 3/8" copper tubing & connect to 1/2" or larger water line and provide an adapter fitting for connection to the brewer.
- 3) If installed with saddle valve, the valve should have a minimum of 1/8" port hole for up to 25 ft run, and 5/16" port hole for over 25 ft runs.
- 4) Connect incoming water line to the elbow extending from the solenoid valve on the back of the brewer. Manufacturer recommends connecting to copper tubing.

WARNING - Read and follow installation instructions before plugging or wiring in machine to electrical circuit. Warranty will be void if machine is connected to any voltage other than that specified on the name plate.

This unit is designed for brewing both TEA and COFFEE. The initial operating instructions must be followed in order, and completely, to have a properly adjusted brewer that will perform both functions well.

INITIAL OPERATING INSTRUCTIONS

BEFORE PLUGGING OR WIRING BREWER INTO PROPER VOLTAGE CIRCUIT:

1. Remove the top cover and access cover on back panel (Fig. 5-B, Page 5) from brewer. Access panel is provided for timer and dilution valve adjustment because brewer back panel is used to hold filter cartridges and filter assembly and monitoring control system.
2. **DISCONNECT LEAD WIRES AT THE TWO POLE CONNECTOR LOCATED JUST ABOVE THE THERMOSTAT.**
3. Connect the brewer filter to a proper water supply.
4. Slide the brew basket into the brew rails.
5. Make sure the lower support tray is raised and locked in its upright position. (Fig 4, Page 4)
6. Place TEA dispenser in front of brewer under the brew basket.
7. Fill tank with water by pouring three pots of water into basin. Some water will flow through the sprayhead. Empty tea dispenser.
8. Close needle valve (Fig 1-A, Page 3) by turning Clockwise.
9. Reconnect the lead wires at the two pole connector located just above the thermostat.
10. Connect the brewer to a proper voltage circuit.

Tea Calibration

11. Turn power switch on.
12. Rotate the control switch clockwise until the TEA 3 GALLONS indicating light is lit (Fig. 2-A, Page 4).
13. Start the brew cycle by pressing the brew start switch (Fig. 2-C, Page 4).

(Continued on next page)

Filter Monitor System Service Information.

Filter Monitor Control Board

Any time the filter or battery is changed, and after initial installation and setup, the filter monitoring system must be reset. To do this first remove the filter monitor cover (Fig. 5-E, Page 5). The electronic monitor has a black reset button on the board to reset the volume counter. To reset simply depress button. Each monitor has a 9 volt alkaline battery for back up power to monitor memory in the event of power loss. The battery should be replaced at 1 year intervals or at each filter change. The monitor is preset for a capacity of 2000 gallons.

Filter Change Light

When the water filter has reached its capacity the filter change light will illuminate indicating that the filter cartridge should be replaced. Replace filter following instructions below.

Filter Replacement

Pull brewer away from wall. Slowly turn filter cartridge approximately 90 degrees clockwise until it hits a stop and the slot on the cartridge lines up with the word OFF on head. This will automatically turn off water to machine and relieve internal pressure from filter. Pull down separating cartridge from housing. A small amount of residual water may trickle out. Note: disconnect plumbing from filter housing at brewer inlet (Fig 5-D, Page 5). This is necessary so you can flush new filter cartridge for 5 minutes at full flow to remove any entrapped air or carbon fines. Provide for drainage or collection of water resulting from flushing.

Insert new cartridge into head with slot on cartridge in line with word OFF on head. Rotate cartridge approximately 90 degrees counterclockwise. Water will immediately flow, let water run for 5 minutes. To turn water off, rotate filter clockwise. Reconnect plumbing, Turn cartridge counterclockwise to turn water on again. Brewer can now be cycled. Reset Filter Monitor.

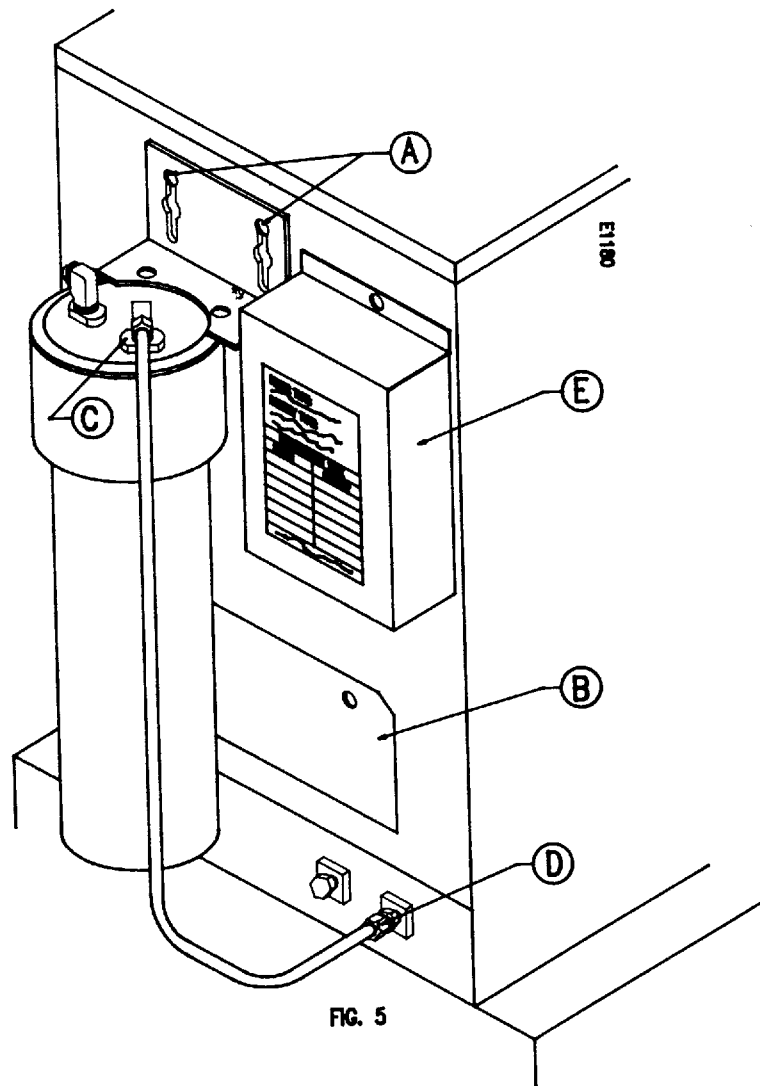
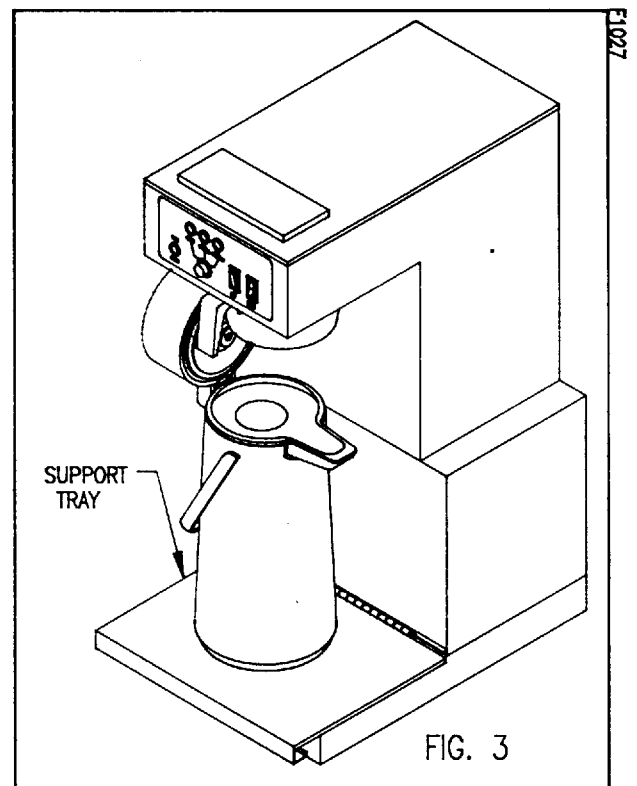
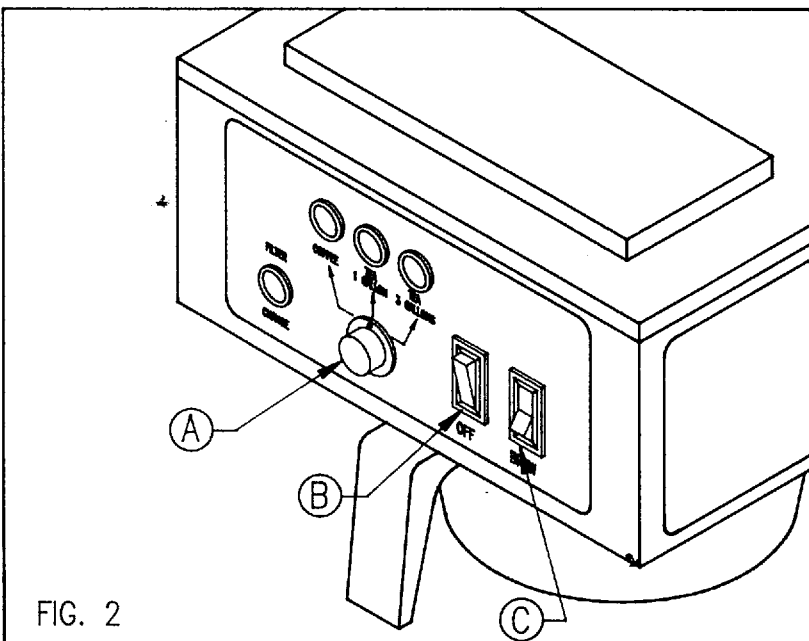


FIG. 5

GENERAL OPERATION

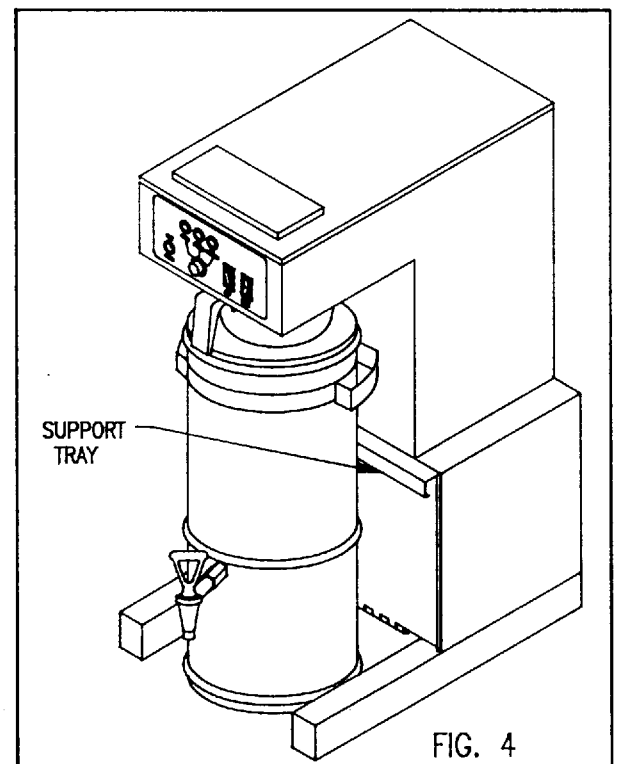
COFFEE:

1. Slide the brew basket into the brew rails.
2. Lower the support tray.
3. Place the coffee dispenser on the support tray under the brew basket.
4. Rotate the control switch (Fig.2-A) counter clockwise until the COFFEE indicating light is lit.
5. Push the brew switch to start brewing cycle (Fig.2-C).



TEA:

1. Slide the brew basket into the brew rails.
2. Raise the support tray and lock it in its upright position.
3. Place the tea dispenser in front of the brewer under the brew basket.
4. To brew 1 gallon of tea, rotate the control switch (Fig.2-A) until the TEA 1 GALLON indicating light is lit. For 3 gallons, rotate the control switch until the TEA 3 GALLONS indicating light is lit.
5. Push the brew switch to start the brewing cycle (Fig.2-C).



14. The tea dispenser should fill with one brew cycle. If not, in the rear of the unit is a black dual purpose timer (Fig 1-B, Page 3). The timer has two adjustment knobs, one marked TEA (Fig 1-b, Page 3), the other COFFEE (Fig. 1-D, Page 3). With the knob marked TEA, adjust the timer until the desired level in the tea dispenser is achieved (3 Gallons). Increasing the time will give more volume; decreasing the time will give less volume.
15. Open needle valve (Fig 1-A, Page 3) by turning counterclockwise 5-6 half revolutions. This will give approximately 75 ounces of hot water concentrate water through the sprayhead with the balance of the 3 gallons passing as cold water through the dilution tube. Turning the valve counterclockwise increases tea strength, clockwise will decrease strength.
16. Drain and remove tea dispenser.

Coffee Calibration

17. Lower the support tray to the down position (Fig 3, Page 4).
18. Place an airtop in front of the brewer, on the support tray, under the brew basket.
19. Rotate the control switch counterclockwise until the COFFEE indicating light is lit.
20. Press the brew start switch. 64 ounces of water should dispense. If adjustment is required, adjust the timer in the rear of the unit marked COFFEE. Increasing the time will give more volume; decreasing the time will give less volume.
21. After adjustments are complete, disconnect the power supply and replace the back access panel and cover.
22. Reconnect the power supply
23. After completion of initial operation, allow 10 to 15 minutes for the water in the tank to reach operating temperature before brewing.

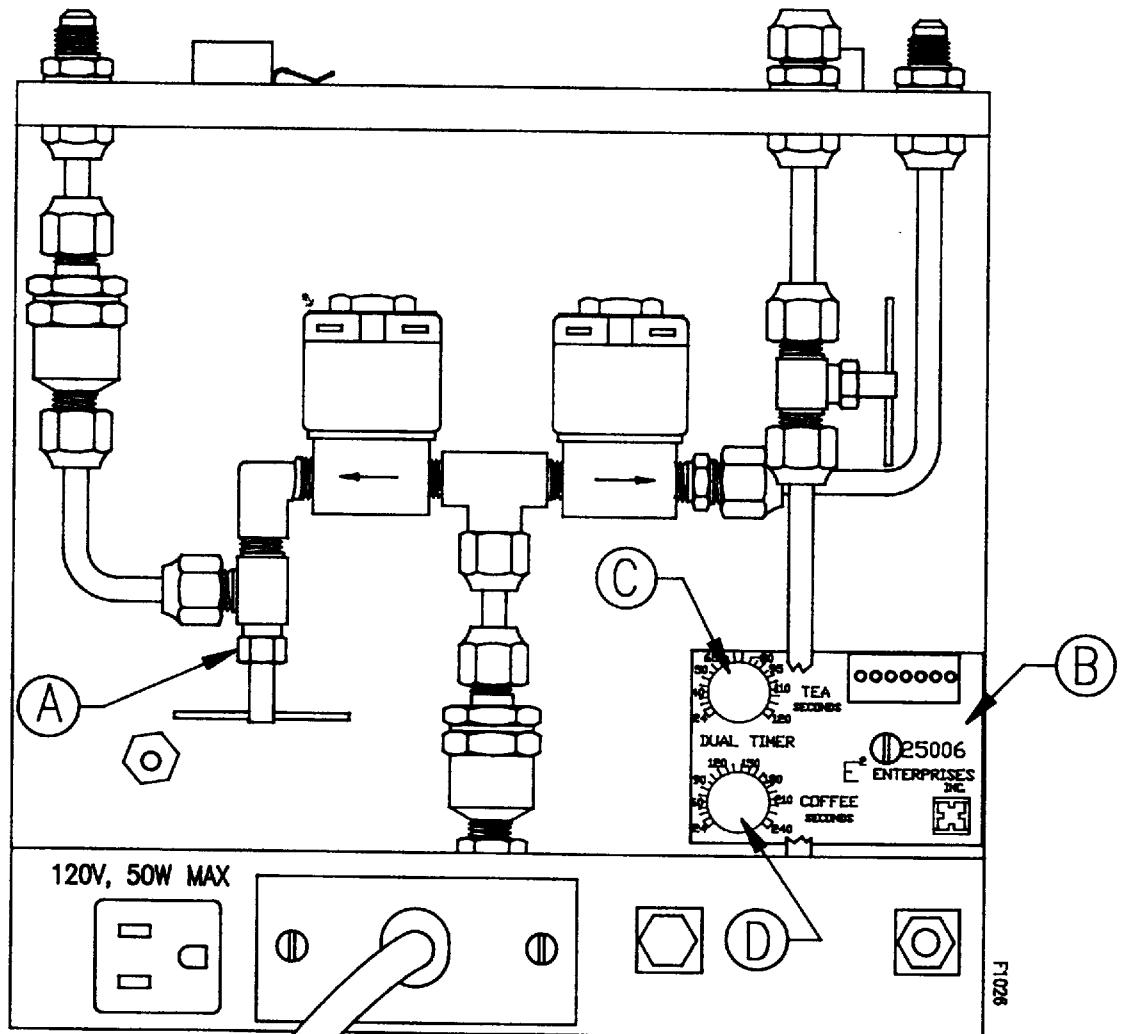


FIG. 1