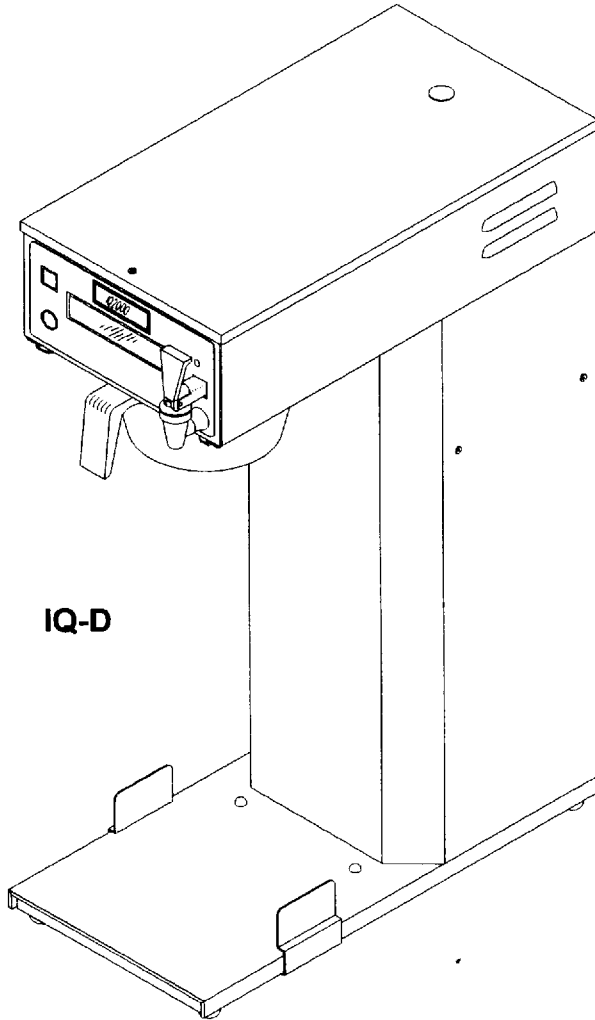
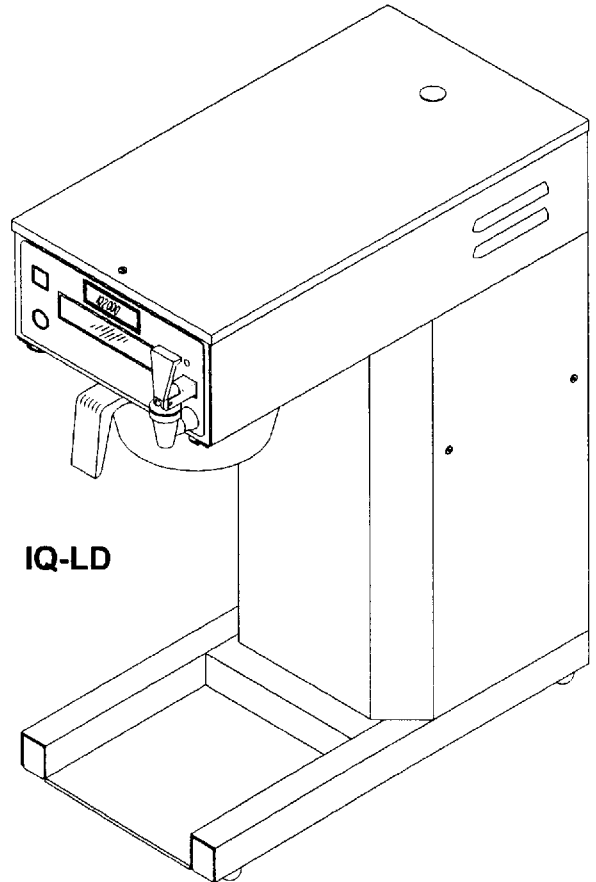


IQ Series



IQ-D



IQ-LD

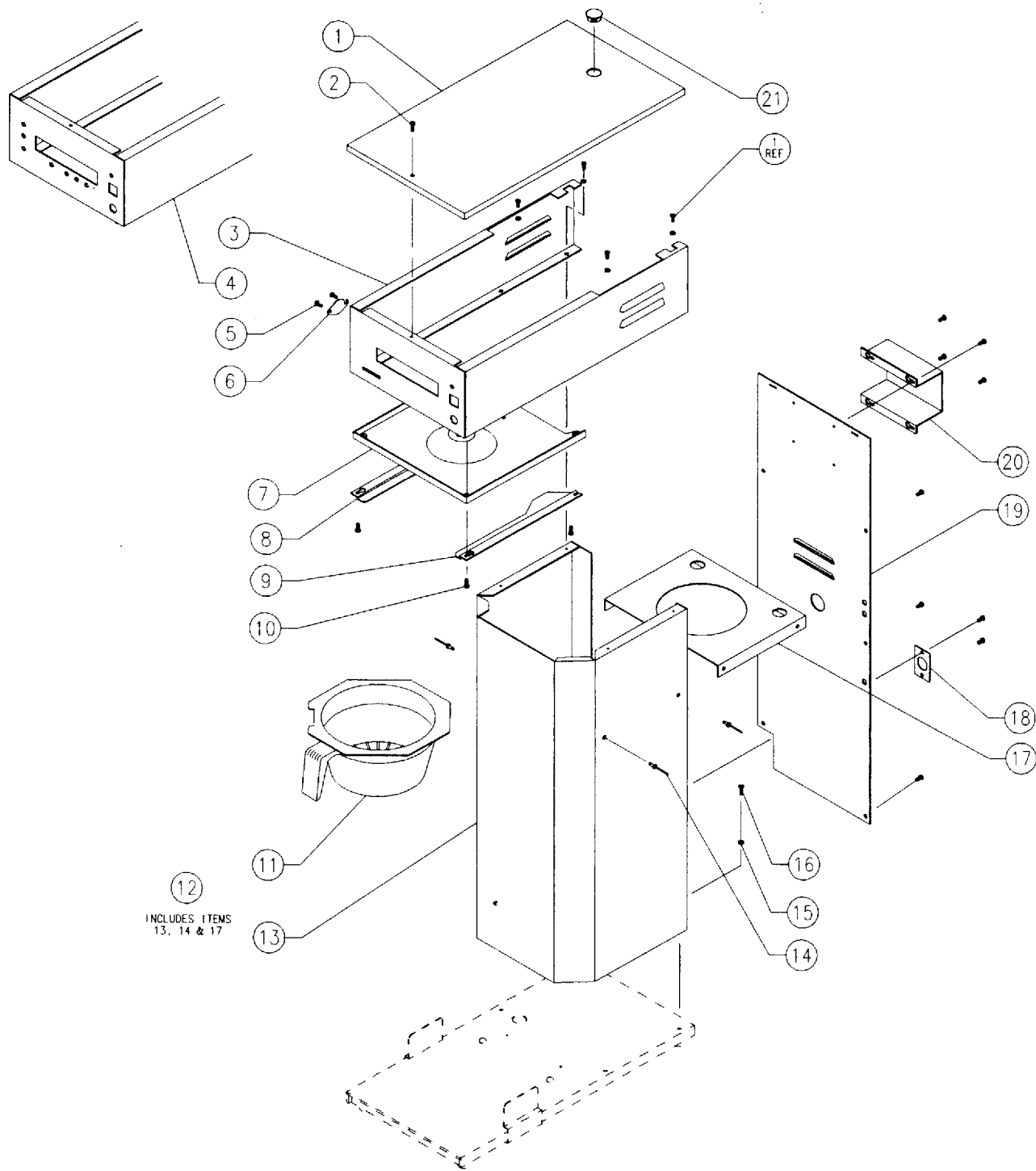
PARTS CATALOGUE

- Replacement Parts for Generations I, II and III
- Wiring Diagrams
- Brewer Dimensions

GREAT CANADIAN SYSTEMS, INC.

1-800-267-3555

BODY ASSEMBLY

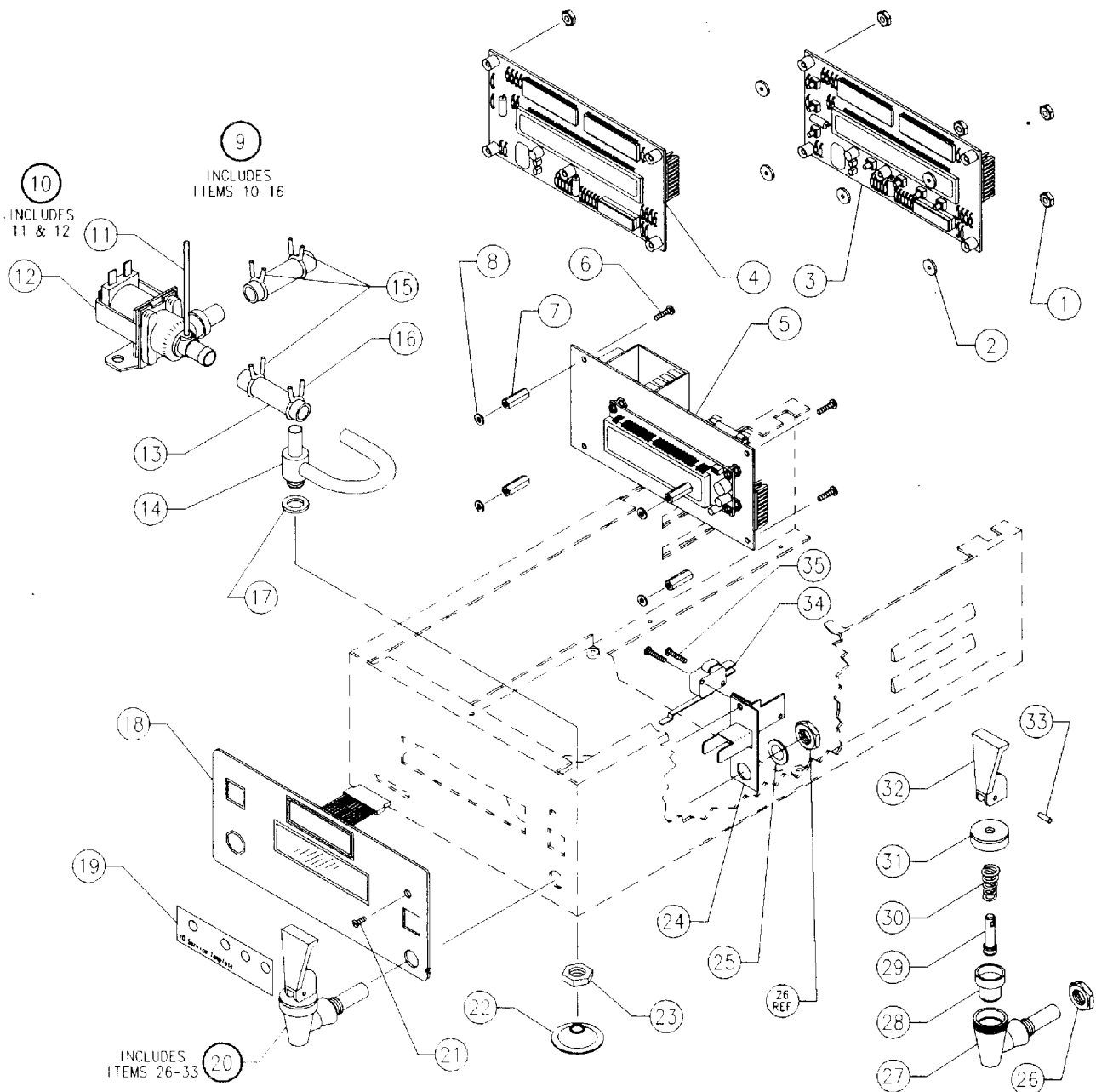


INCLUDES ITEMS
13, 14 & 17

Item	Part No	Description
1	105094	Cover, Plain
2	102333	Screw, 6-32 X 3/8"
3	105129	Wrapper, Upper, Gen II
3	105192-BPC	Wrapper, Upper, Gen III, Requires 5 & 6
4	105061	Wrapper, Upper, Gen I
5	105110	Screw, 6-32 X 3/8, Black
6	105194-BPC	Door, Access, Keyboard
7	101777	Brew Plate
8	104011	Brew Rail, LH
9	104010	Brew Rail, RH
10	100065	Screw, 6-32 X 5/16
11	700118	Brew Basket, Black, Wide Base 8 Sided
12	105065-BPC	Column Assy, IQ-D, Black

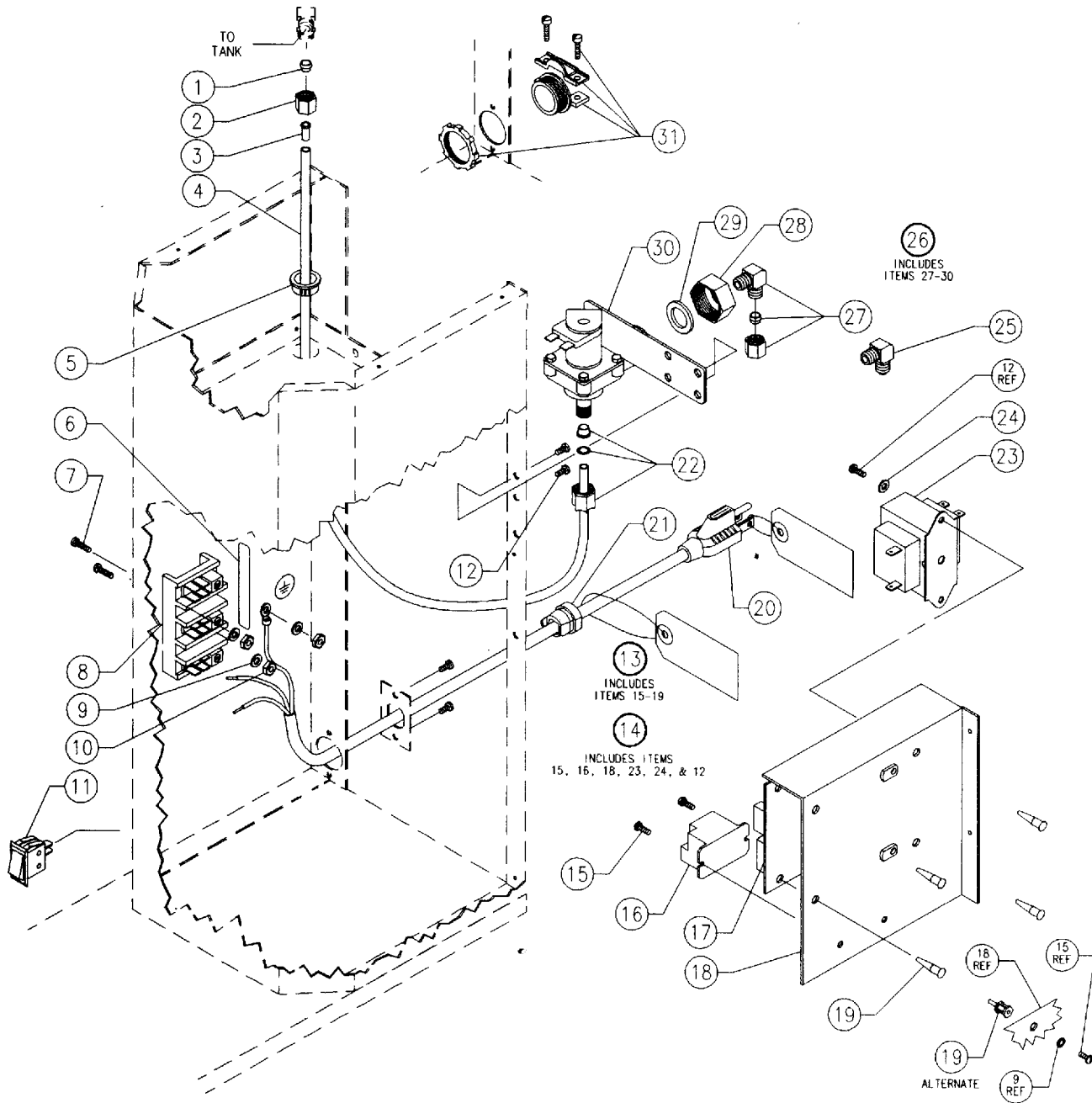
Item	Part No	Description
12	105165-BPC	Column Assy, IQ-LD, Black
13	105064	Column, IQ-D, Black is Special Order
13	105083	Column, IQ-LD, Black is Special Order
14	100192	Rivit
14	110810	Rivit, Black
15	100054	Washer, #8 Lock
16	511027	Screw, 8-32 X 3/8"
17	101860	Shelf, Tank
18	101898	Plate, Cord
19	105070	Panel, Main Rear, IQ-D
19	105170	Panel, Main Rear, IQ-LD
20	101989	Bracket, Filter
21	511050	Bushing, 3/4 Snap

CONTROL BOARD, SWITCHES, FAUCET AND DUMP VALVE ASSEMBLY



Item	Part No	Description	Item	Part No	Description
1	100243	Nut, 4-40 Hex	18	105180	Overlay, W/switches, Face Plate, Gen III (or II)
2	105025	Washer, Silicone	19	105049	Template, Service, IQ 2000, Gen I & II
3	105056	Board, IQ VF Display, Gen I	19	105216	Template, Service, IQ 2000-P, Gen III
4	105205	Board, IQ VF Display, Gen II	20	102770	Faucet Assembly. Includes Items 26-33
5	105140	Board, IQ VF Display, Gen III	21	102864	Screw, 6-32 X 1/4", Flathead, Undercut
6	110163	Screw, 6-32 X 1/2, Nylon	22	100024	Sprayhead, 5 Hole S/S
7	110162	Spacer, Hex, 3/4 Long, 6-32, Nylon	23	201173	Nut, 7/16-20 Sprayhead
8	701511	Washer, .150 ID X .312 OD X .015 TH, Nylon	24	102807	Bracket Assembly
9	108420	Valve Assembly, W/Vent. Includes Items 10-16	25	101011	Washer, 1/2" Lock
10	105095	Valve, With Vent. Includes Items 11 & 12	26	N/A	Nut, Faucet
11	105082	Tube, S/S .134 OD x 2.875	27	N/A	Faucet Body
12	105092	Valve, With Vent Hole	28	102675	Seat Cup
13	701982	Tube, 3/8" ID X 5/8" OD X 2" Silicone	29	203851	Stem
14	101835	Tube Assembly, Sprayhead	30	100612	Spring
15	102666	Clamp, S/S #10	31	N/A	Cap
16	152461	Clamp, S/S #9	32	100639	Pin
17	100025	Gasket, Sprayhead	33	102786	Handle, Red
18	105020	Overlay, Face Plate, Gen I	34	102841	Switch, Faucet Micro
18	105195	Overlay, W/switches, Face Plate, Gen II	35	100160	Screw, 4-40 X 5/8

ELECTRICAL AND PLUMBING CONNECTION COMPONENTS



Item	Part No	Description
1	202047	Sleeve, 1/4" Plastic Tubing
2	102328	Nut, 1/4 Compression, Reamed 7.2mm
3	202044	Insert, 3/16" Tubing, Brass
4	100445	Tube, 3/16" ID X 1/4" OD Teflon, Order by Length
5	511050	Bushing, 3/4" Snap, Split
6	202863	Label, "L1 N L2"
7	704224	Screw, 6-32 X 7/8"
8	511053	Terminal Block
9	100212	Washer, #6
10	100191	Nut, #6
11	100500	Switch, SPST, ON/OFF
11	110626	Switch, DPST, ON/OFF, Gen III 240 V Models
12	511027	Screw, 8-32 X 3/8
13	105063	Board Assembly, Control, Lower, Gen I & II
14	105211	Assembly, Transformer/Relay, Gen III
15	102333	Screw, 6-32 X 3/8"
16	105057	Relay, 12V Coil, 120V, Heater

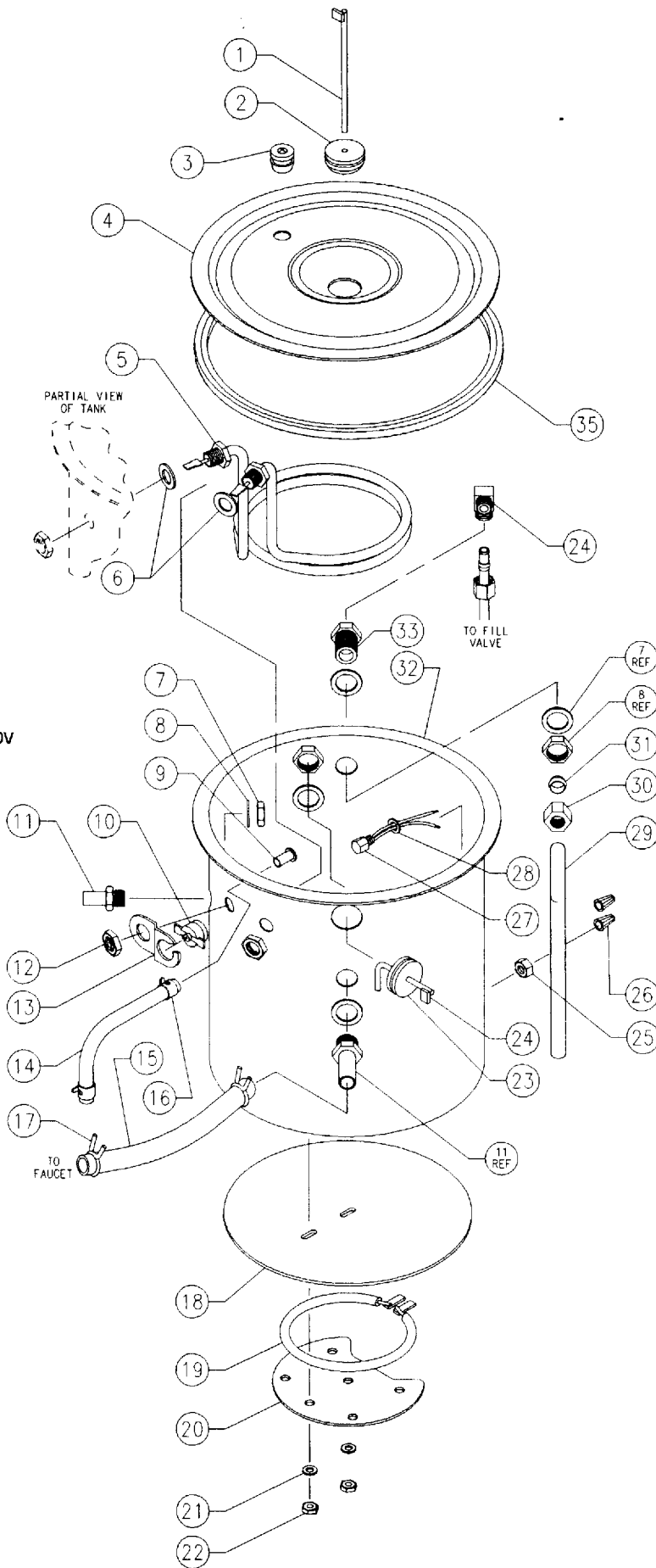
Item	Part No	Description
17	105058	Board, Control, Lower, Gen I & II
18	105062	Bracket, Component Mounting, Lower
19	102844	Support, Snap in Control Board
19	110581	Support, Alternate Screw Mounted Type
20	100022	Cord, 15A Power, 120V Brewers
21	101035	Grommet, Strain Relief, 15A Cord
22	105072	Nut, Jaco
23	105115	Transformer
24	100054	Washer, #8 Lock
25	100177	Elbow, Male, 1/4 Flare X 1/8 NPT
26	105085	Valve Assembly, Solenoid, Fill/Inlet
27	100149	Elbow, Male, 1/4 Comp X 1/8 NPT
28	105077	Fitting, Female, 3/4 Hose X 1/8 NPT
29	105078	Gasket, 3/4 Hose Fitting
30	105045	Valve, Solenoid, Fill/Inlet
31	511054	Connector, Cable, Strain Relief 240V

TANK AND TANK LID ASSEMBLIES

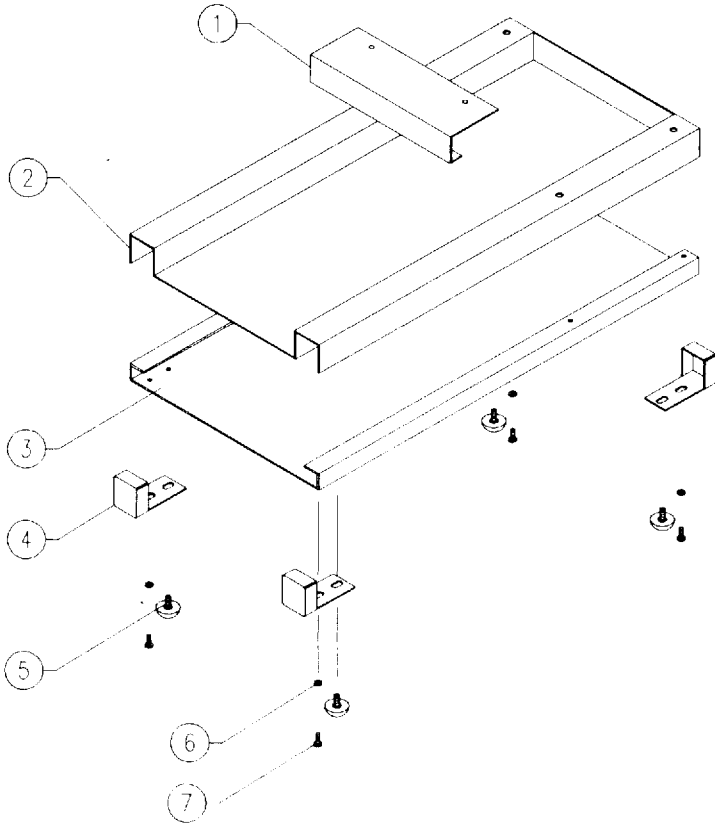
Part No	Description
105080	Tank Assembly, 1400W 120V
105150	Tank Assembly, 3500W 240V
105069	Lid Assembly, Tank. Incl 1, 2, 3, & 4

The above tank assemblies include all item numbers shown except for items 1-4

Item	Part No	Description
1	105068	Probe, Heater Safety
2	102836	Grommet, Silicone
3	152207	Plug, Silicone Tank
4	781507	Lid, Punched Tank
5	102580	Element, 1400W 120V Tank (Incl 5, 6, & 12)
5	100071	Element, 1750W 120V Tank (Incl 5, 6, & 12)
5	102850	Element, 3500W 240V Tank (Incl 5, 6, & 12)
6	100409	Gasket, 515 ID
7	100431	Nut, 9/16-24, 11/16 Brass Hex
8	100030	Gasket, 562 ID
9	201112	Insert, 1/4" Tubing
10	100633	Thermostat, Manual Reset Hi-Limit
10	100174	Thermostat, Auto Reset Hi-Limit, 240 V
11	102835	Fitting, Bulkhead Outlet
12	100190	Nut, 1/2-20 Brass Jam
13	100269	Bracket, Manual Reset Hi-Limit T-stat
13	100143	Bracket, Automatic Reset Hi-Limit T-stat, 240V
14	101135	Tube, 1/4" ID X 3/8" OD X 6.5" Silicone
15	102874	Tube, 3/8" ID X 5/8" OD X 9" Silicone
16	100440	Clamp, 3/8" Tube
17	152461	Clamp, S/S #10
18	700387	Plate, Spreader
19	100642	Element, Warmer 220V 100W (110V 25 W)
20	100086	Plate, Element Support
21	100054	Washer, #8 Lock
22	100061	Nut, 8-32 Hex
23	102836	Grommet, Silicone
24	105074	Probe, Water Level, Upper
25	100213	Nut, 1/4-20, S/S Hex
26	151512	Nut, Wire Connector
27	152184	Thermistor
28	152397	Washer, Teflon
29	152701	Tube, 3/8" OD, S/S Fill
30	100170	Nut, 3/8" Compression
31	100166	Sleeve, 3/8" Brass Compression
32	105076	Tank, Spotwelded
33	101720	Connector, Fem 3/8" Comp X 1/8 NPT
34	100149	Elbow, Male 1/4 Comp X 1/8 NPT
35	781181	Gasket, 23" Silicone Tank

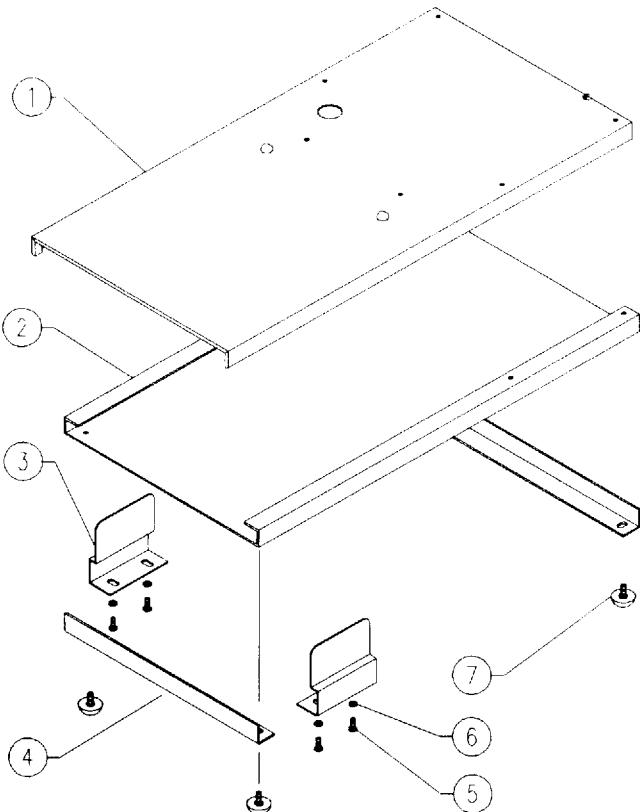


LOW PROFILE AND TALL DISPENSER MODEL BASE ASSEMBLIES



LD BASE ASSEMBLY

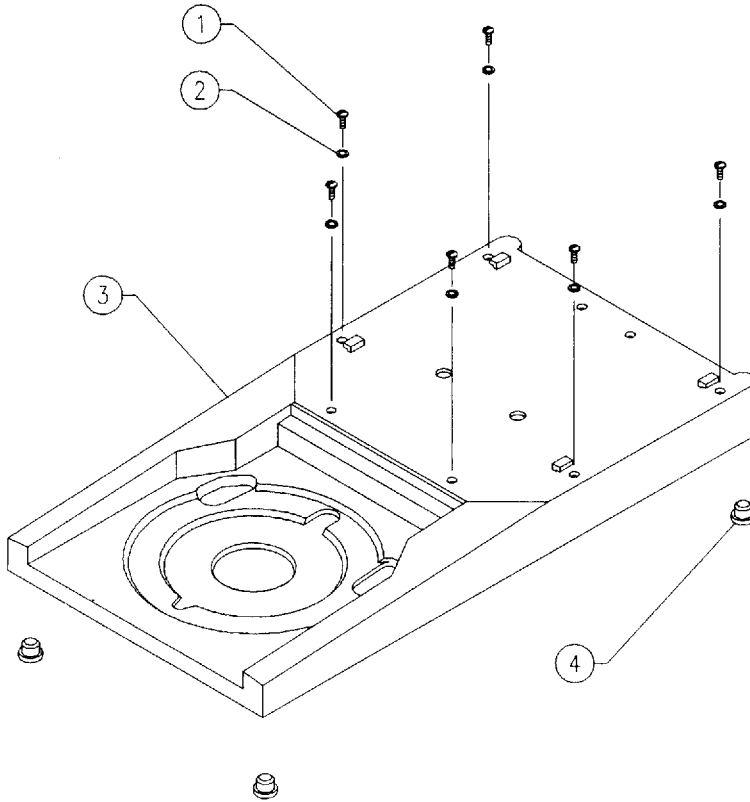
<u>Item</u>	<u>Part No</u>	<u>Description</u>
1	101736-BPC	Bracket, LD Stop (Not Included in base assy)
2	101738-BPC	Base Top, LD
3	101814-BPC	Base Top, LD 240V
3	101739	Base Bottom, LD
4	101740-BPC	Cap, S/S, LD End
5	100078	Foot, Bumper
6	100054	Washer, #8
7	511027	Screw, 8-32 X 3/8



DISPENSER BASE ASSEMBLY

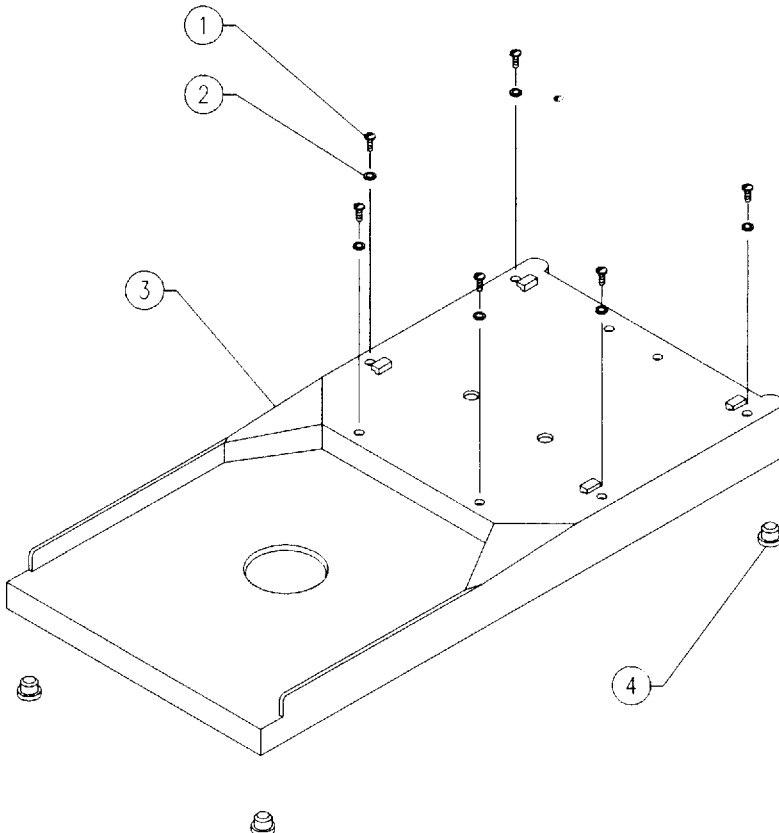
<u>Item</u>	<u>Part No</u>	<u>Description</u>
1	102763-BPC	Base Top, Dispenser
1	102761-BPC	Base Top, Dispenser 240V
2	105079	Base Bottom, Dispenser
3	105087-BPC	Siderail, Dispenser Base
4	102825-BPC	Plate, S Base Trim
5	511027	Screw, 8-32 X 3/8
6	100054	Washer, #8
7	100078	Foot, Bumper

ALTERNATE ABS THERMAL BASE ASSEMBLIES



LD BASE ASSEMBLY

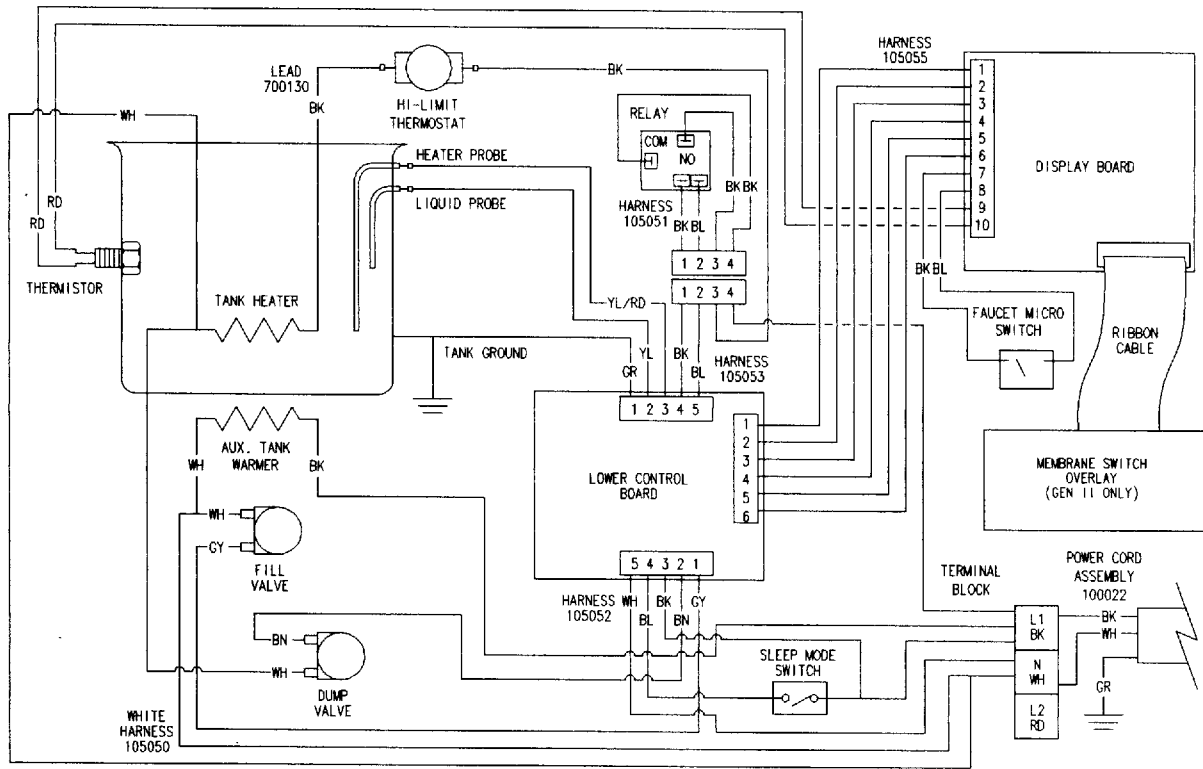
<u>Item</u>	<u>Part No</u>	<u>Description</u>
1	110359	Screw, #8 X 1/2", Hi-Lo Thread Cutting
2	100054	Washer, #8
4	110360	Base, LD/TC, ABS
5	100665	Toe, Rubber



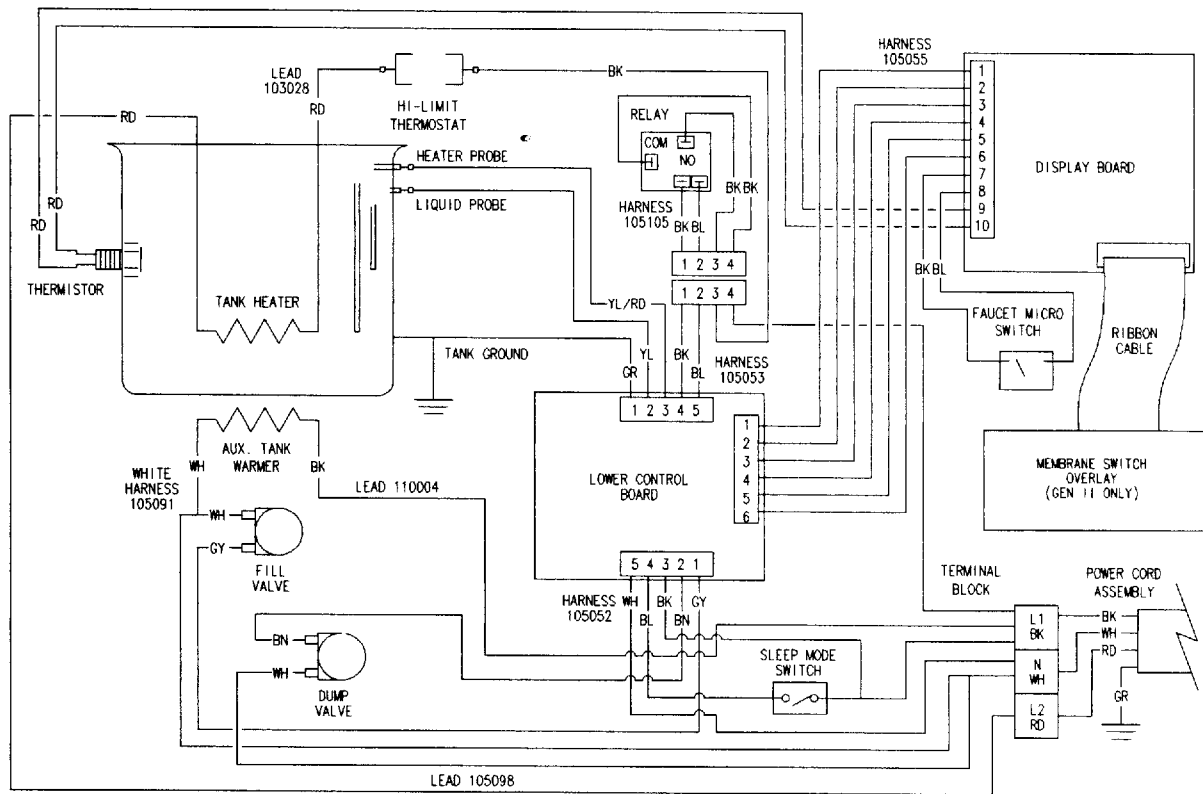
DISPENSER BASE ASSEMBLY

<u>Item</u>	<u>Part No</u>	<u>Description</u>
1	110359	Screw, #8 X 1/2", Hi-Lo Thread Cutting
2	100054	Washer, #8
3	110365	Base, Dispenser, ABS
4	100665	Toe, Rubber

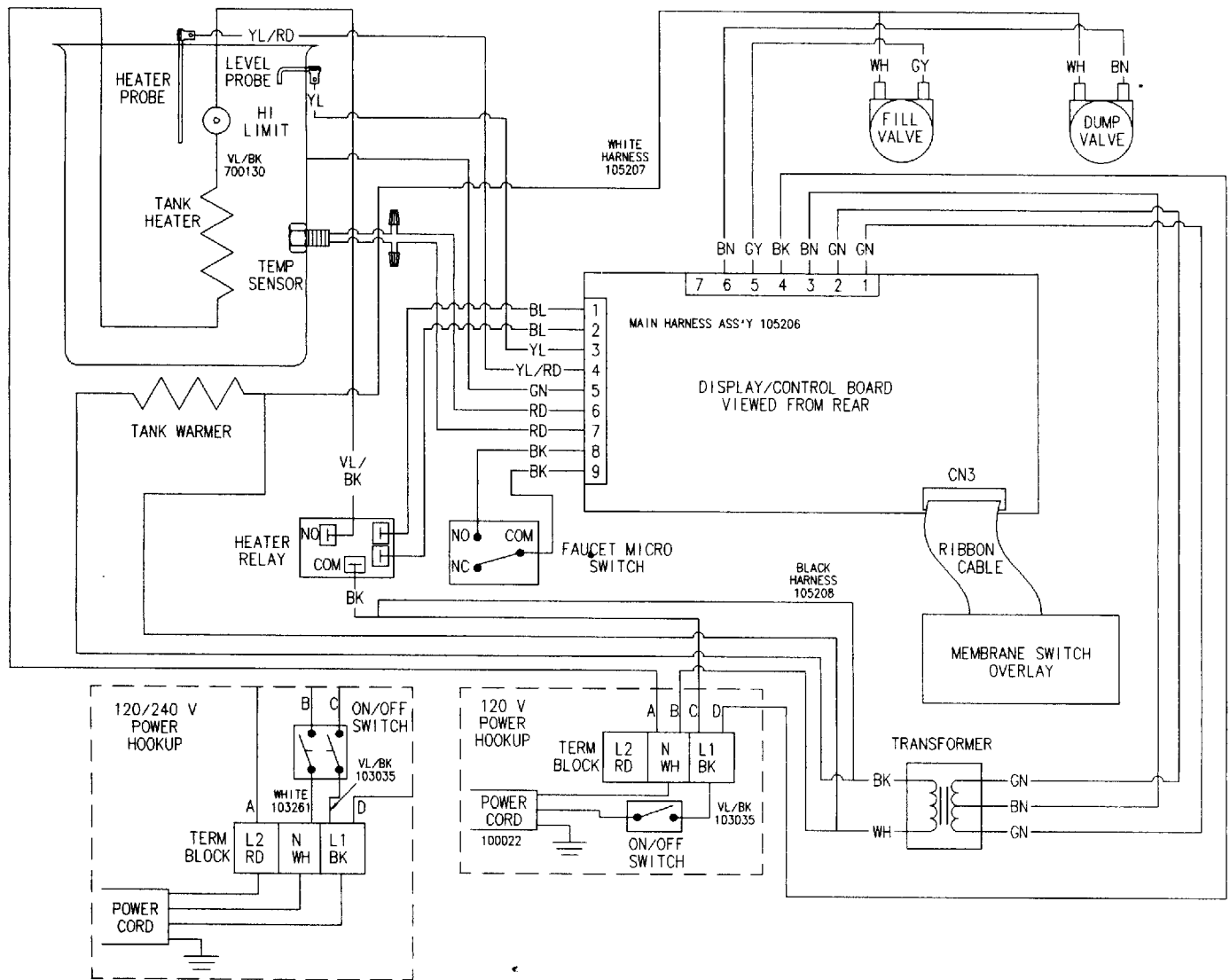
WIRING DIAGRAM - 120 V, GEN I & II



WIRING DIAGRAM - 120/240 V, GEN I & II



WIRING DIAGRAM - 120 and 120/240 V, GEN III



IQ GENERATION I, II, and III DISTINGUISHING FEATURES

In the process of continual product improvement, production was begun on the third generation of IQ brewers in February of 1999. The following information describes the distinguishing features of generations 1-3 to serve as an aid in ordering the proper parts where affected. Refer to pages 2 through 4 for applicable parts.

Generation I - The brew and service control switches were directly on the display board. The upper wrapper had holes to access the switches. The faceplate overlay had areas without adhesive over these switches which were depressed to actuate switches. A lower control board was incorporated in the brewer below the tank shelf.

Generation II - The brew and service control switches were incorporated into the faceplate overlay and an integral ribbon cable connected this control panel to the display board. The switch holes were eliminated from the upper wrapper. The lower control board remained the same.

Generation III - These brewers incorporate an all in one programmable, 2 line display board. The lower board is no longer required and has been replaced by a transformer to supply power to the display/control board. The upper wrapper incorporates a keyboard port access hole and cover door.

MODEL ILLUSTRATIONS - STEEL AND ABS BASE ASSEMBLIES

