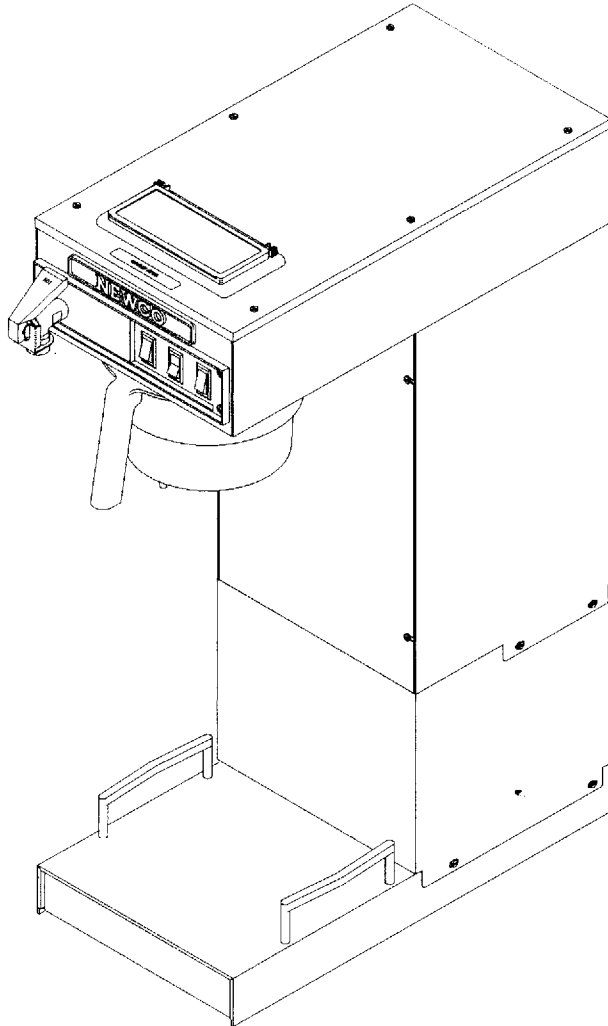


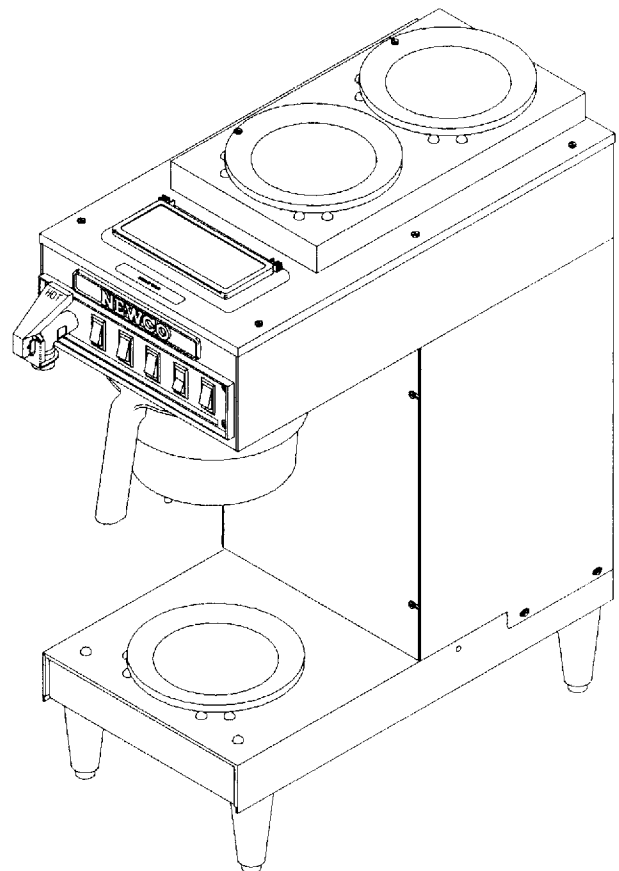
NEWCO

GX SERIES

REPLACEMENT PARTS CATALOGUE



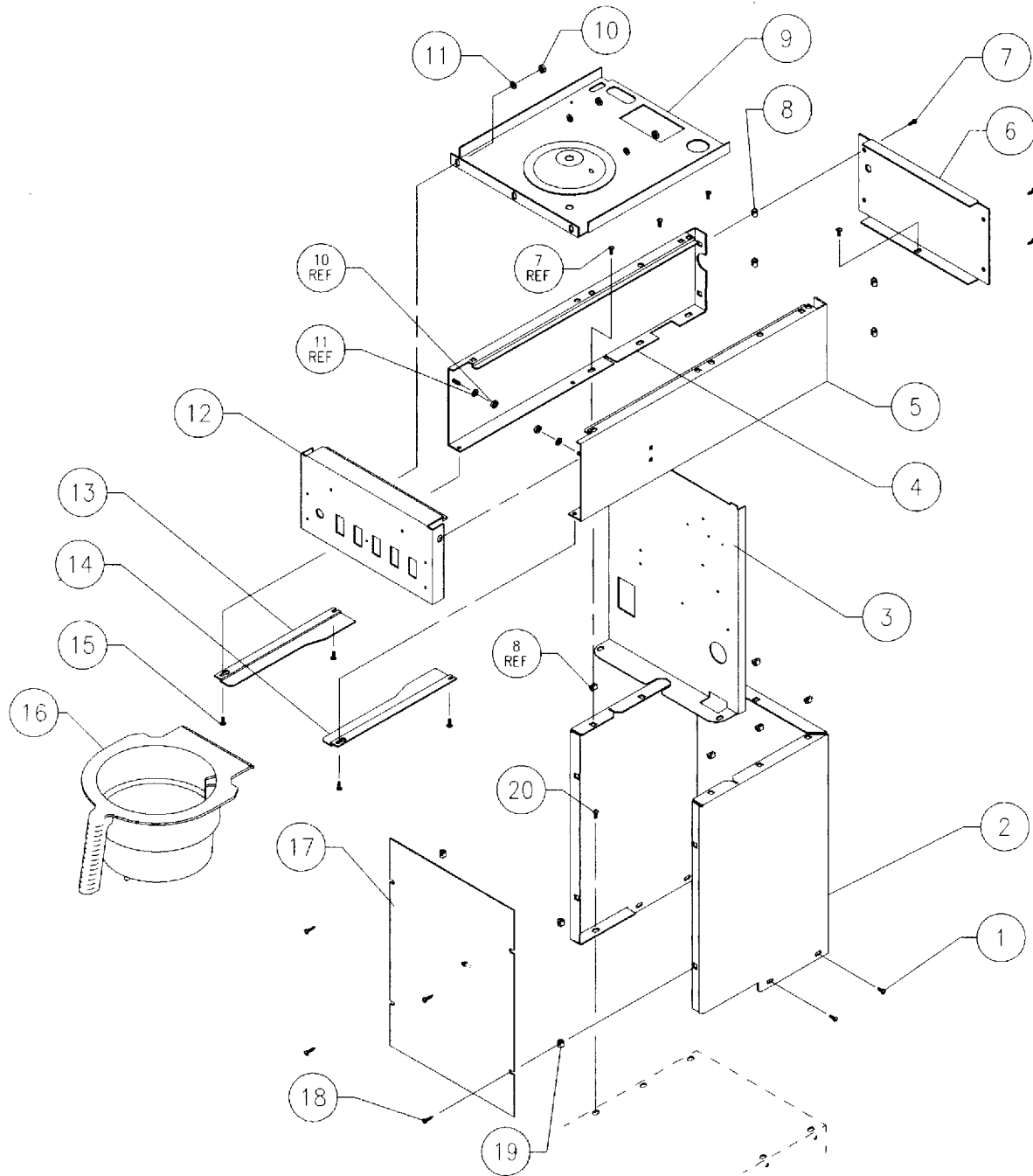
- GXF1-15
- GXF1-30
- GXF2-15
- GXF2-30
- GXF3-15
- GXF3-30
- GXF-P
- GXF-TD
- GXF-8D



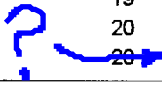
NEWCO Enterprises, inc.

1735 S. River Rd • St. Charles, MO 63303 • 1.800.325.7867 • FAX 314.925.0029

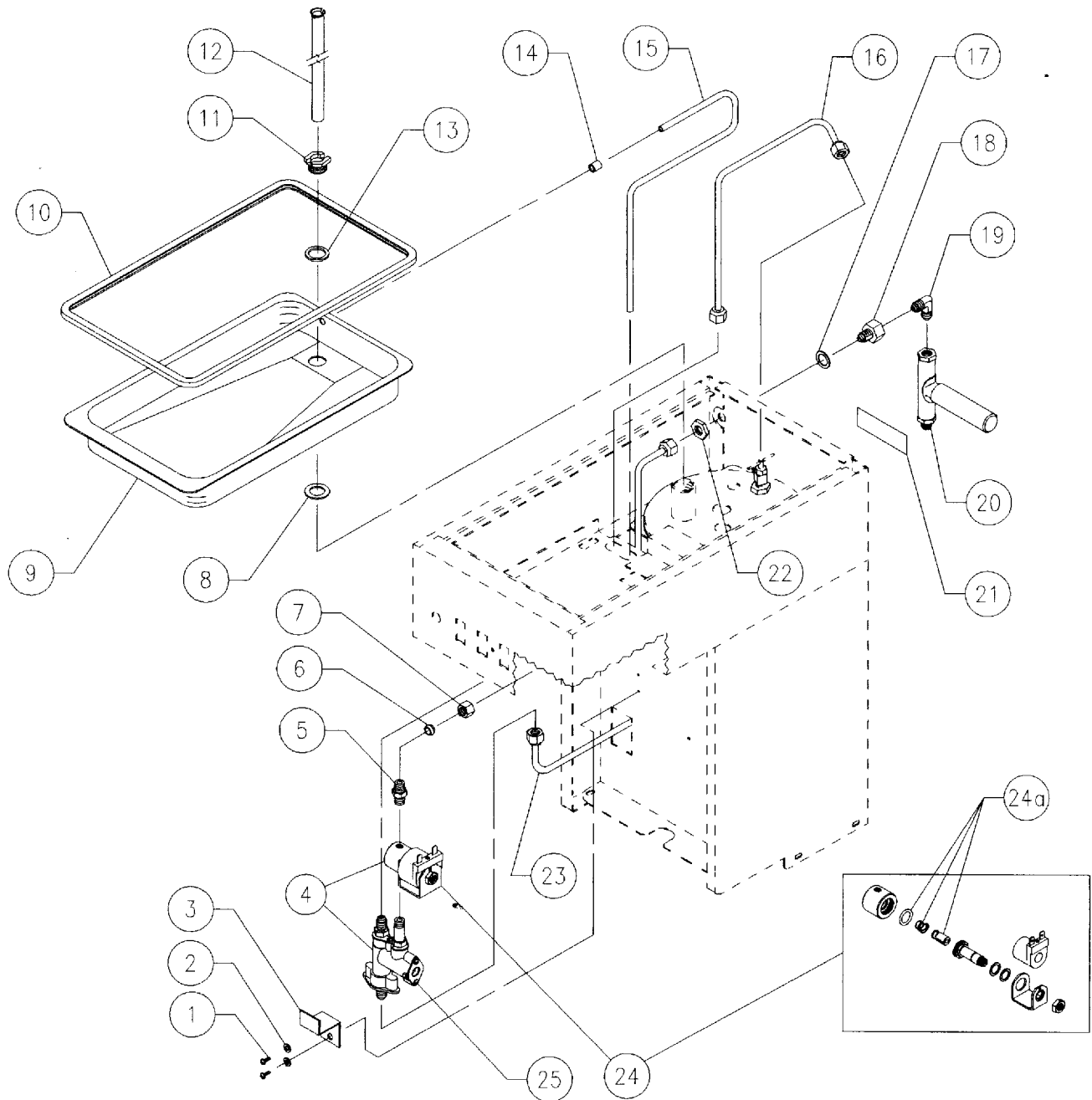
BODY ASSEMBLY



Item	Part No	Description	Item	Part No	Description
1	511027	Screw, 8-32 X 3/8", Models 15	13	701279	Brew Rail, LH (Use With Basket 701295)
1	701519	Screw, #8 X 3/8", Models TD, 8D, P, 30	13	701319	Brew Rail, LH (Use With Basket 701713, 701714)
2	701421	Column, 13", Models 15	13	781031	Brew Rail, LH (Use With Basket 110985)
2	701609	Column, 15", Models TD, 8D, P, 30	14	701280	Brew Rail, RH (Use With Basket 701295)
3	701672	Panel, Center, 13", Models 15	14	701676	Brew Rail, RH (Use With Basket 701713, 701714)
3	701674	Panel, Center, 15", Models TD, 8D, P, 30	14	781030	Brew Rail, RH (Use With Basket 110985)
4	701675	Wrapper, LH	15	100065	Screw, 6-32 X 5/16"
5	701680	Wrapper, RH	16	701295	Brew Basket, Plastic NEWCO
6	701660	Bracket, Plumbing	16	110985	Brew Basket, Plastic NEWCO, Models P, TD
7	701519	Screw, #8 X 3/8"	16	701714	Brew Basket, Plastic, Models 30, 8D
8	701520	Nut, #8 Tinnerman Expansion	16	701713	Brew Basket, S/S
9	701425	Brew Plate	17	701626	Plate, Access, 13", Models 15
9	701937	Brew Plate Assy (For Use With By-Pass)	17	701627	Plate, Access, 15", Models TD, 8D, P, 30
10	100061	Nut, Hex 8-32	18	700040	Screw, #6 X 5/8"
11	100054	Washer, #8	19	700053	Nut, #6 Tinnerman Expansion
12	701448	Plate, Switch	20	511027	Screw, 8-32 X 3/8", Models 15
			20	511087	Screw, 8-32 X 1/2", Models TD, 8D, P, 30

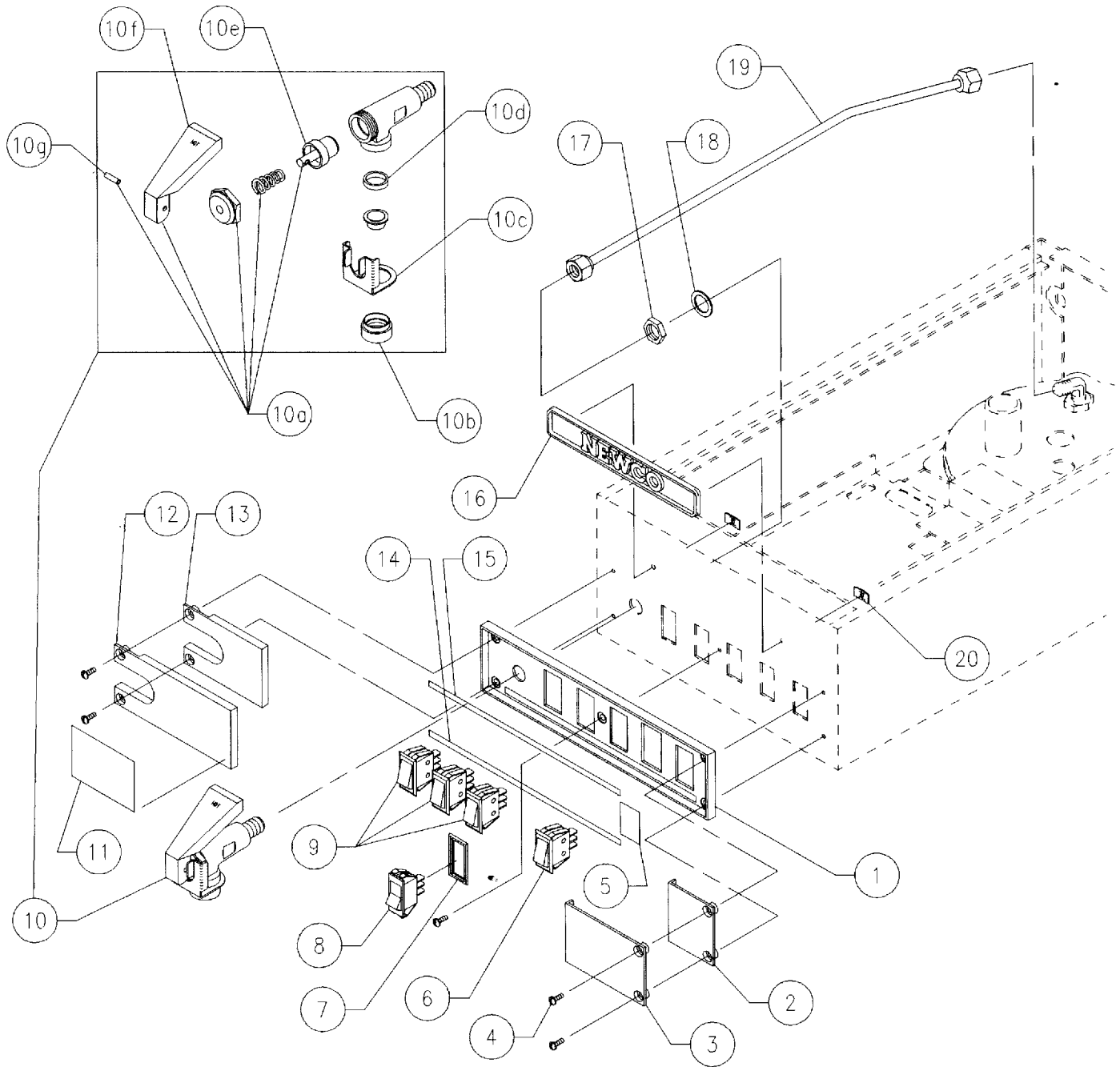


WATER INLET, FLOW CONTROL AND RECEIVING PAN ASSEMBLY



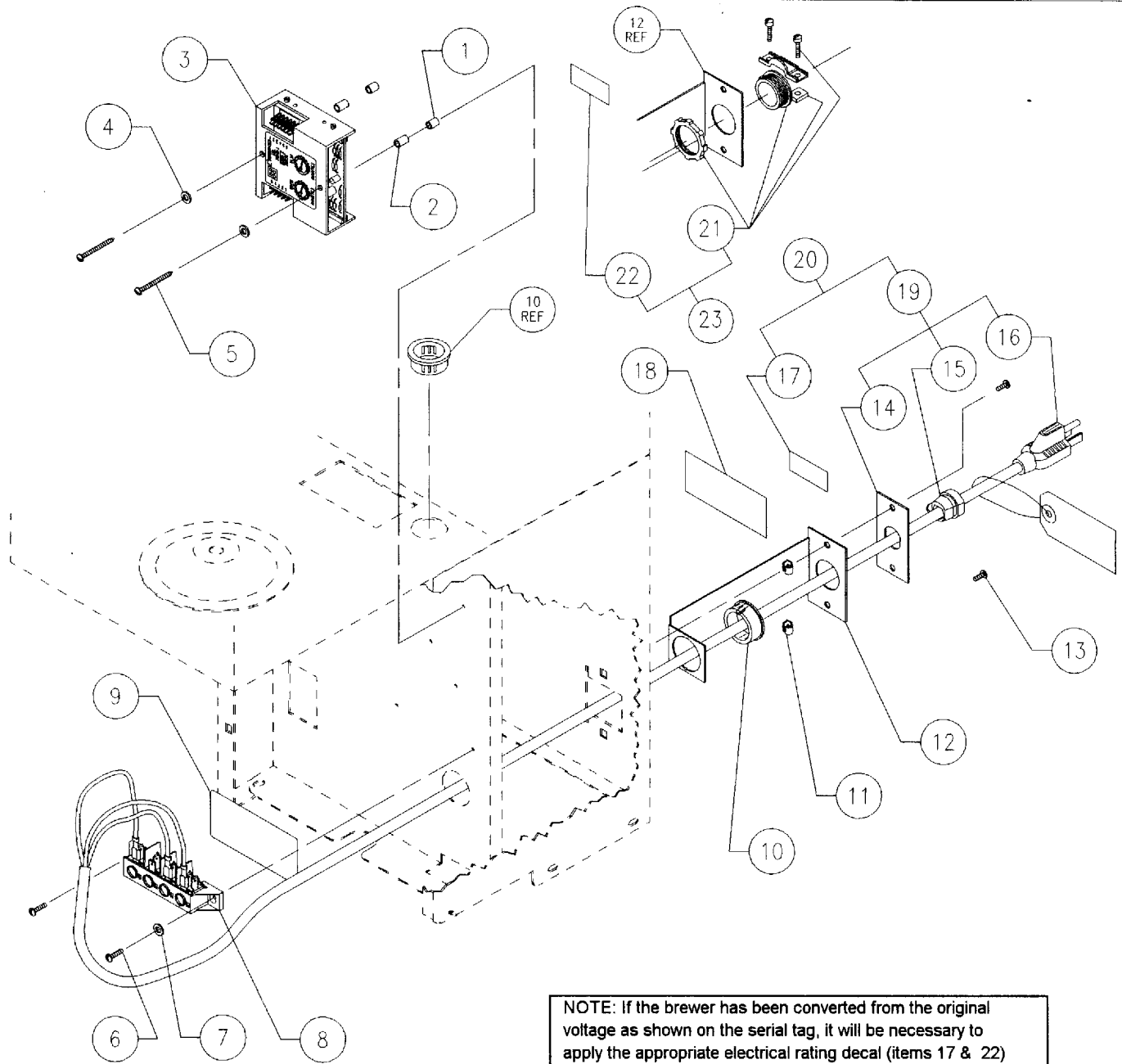
Item	Part No	Description	Item	Part No	Description
1	100065	Screw, 6-32 X 5/16"	15	701458	Tube, Discharge, 1/4" S/S
2	100212	Washer, #6	16	701457	Tube Assembly
3	701426	Bracket, Support, PDS Valve	17	511046	Washer, 7/16
4	701650	Valve Assembly, PDS And Solenoid	18	110299	Connector, Male 1/4 FI X Female 1/8 NPT
5	100155	Connector, Male, 1/4" Comp X 1/8" NPT	19	701482	Elbow, Male, 1/8 X 1/8 NPT
6	100164	Sleeve, 1/4" Compression	20	110547	Arrestor, Mini
7	100165	Nut, 1/4" compression	21	101012	Label, Plumbing Instructions
8	700016	Gasket, 1.062 OD X .578 ID, Silicone	22	511023	Nut, Hex, 7/16-20
9	700060	Receiving Pan	23	701456	Tube Assembly
10	701147	Gasket, Receiving Pan	24	100250	Valve, Solenoid
11	701200	Nut, Slotted Hex	24a	201991	Repair Kit, Solenoid Valve
12	701544	Tube, Turbo			Consist Of A Gasket, Spring And Plunger
13	700015	Washer, 1" OD X 3/4" ID, S/S	25	701432	Valve Assembly, PDS Flow
14	101134	Tubing, 1/4" ID, Silicone			

FACEPLATE SWITCHES AND FAUCET ASSEMBLY



Item	Part No	Description	Item	Part No	Description
1	701245	Plate, Trim	10d	100469	Washer, Faucet Aerator
2	701253	Cover, Trim Plate, 1 Switch Position	10e	201256	Repair Kit, Faucet Consist Of A Stem, Diaphragm And Seat
3	701254	Cover, Trim Plate, 2 Switch Positions	10f	100617	Handle, Faucet
4	04-0367	Screw, 8-32 X 1/2"	10g	100639	Pin, Faucet Handle
5	700431	Label, Volume, 1 And 2 Pot	11	701554	Label, Brew Instructions
5	700432	Label, Volume, 1, 2 And 3 Pot	12	701525	Cover, Trim Plate, 2 Switch/Faucet Positions
5	701405	Label, Volume, Half And Full	13	701530	Cover, Trim Plate, 1 Switch/Faucet Position
6	700434	Switch, SPST, Black ("I, II" Volume Select)	14	701556	Label, Switch Control
6	700413	Switch, SPDT, Black ("I, II, III" Volume Select)	15	701553	Label, Switch Function
7	104015	Bezel, Oslo Switch Adapter	16	100058	Nameplate, NEWCO
8	104002	Switch, Lighted SPST, Momentary, Amber	17	511023	Nut, Hex, 7/16-20
9	100085	Switch, Lighted SPST, Red Rocker	18	511046	Washer, 7/16
10	100145-10	Faucet Assembly, Hot Water	19	705381	Tube Assembly
10a	100610	Bonnet Assembly, Faucet	20	100184	Clip, #6 Tinnerman Flat
10b	100619	Aerator Assembly, Faucet			
10c	100437	Retainer, Faucet Bonnet			

ELECTRICAL CONNECTION AND TIMER ASSEMBLY



NOTE: If the brewer has been converted from the original voltage as shown on the serial tag, it will be necessary to apply the appropriate electrical rating decal (items 17 & 22) in place on the serial tag to cover the previous rating.

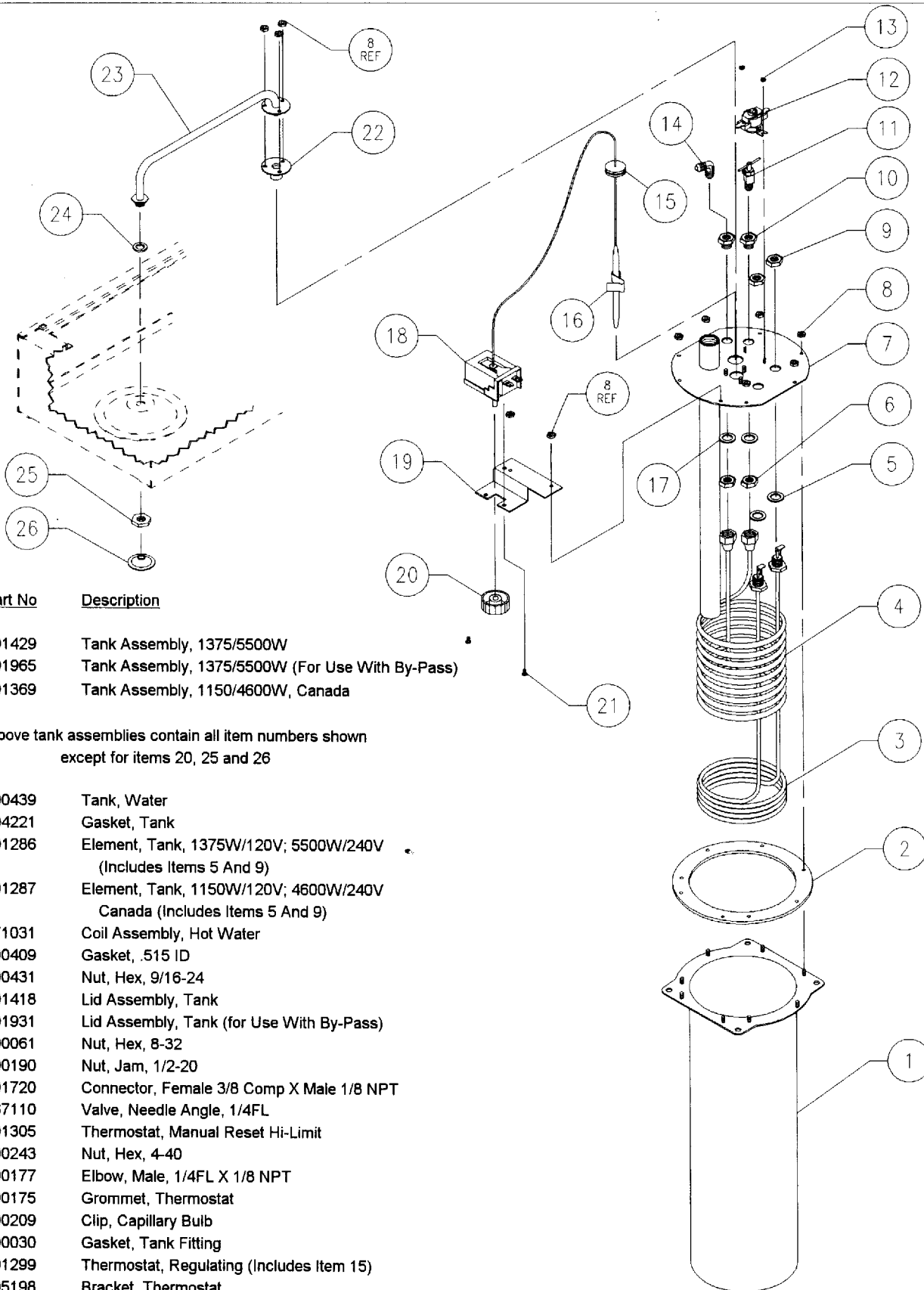
Item	Part No	Description
1	110194	Spacer, Outside
2	110196	Spacer, Inside
3	110190	Control Board, Multi-Arm
4	100212	Washer, #6
5	705365	Screw, 6-32 X 1-3/8"
6	511027	Screw, 8-32 X 3/8"
7	100054	Washer, #8
8	701475	Terminal Block, 110/240V
9	701643	Label, Field Wiring Instructions
10	705228	Bushing, 1-1/8" Snap
11	701520	Nut, #8 Tinnerman Expansion
12	701428	Bracket, Cord
13	701519	Screw, #8 X 3/8"

Item	Part No	Description
14	511005	Plate, 15A Cord
15	101035	Grommet, Strain Relief, 15A Cord
16	701555	Cord, 15A Power
17	701468	Label, Electrical Rating, 120V
18	100253	Decal, Caution
19	701467	Cord/Plate Assy, 15A
20	701466	Kit, GX Perm To Cord

Components Below Are Used In 240V Brewers Only

21	511054	Connector, Cable, Strain Relief, 240V
22	701471	Label, Electrical Rating, 120/240V
23	701469	Kit, GX Cord To Perm

TANK AND SPRAYHEAD ASSEMBLY



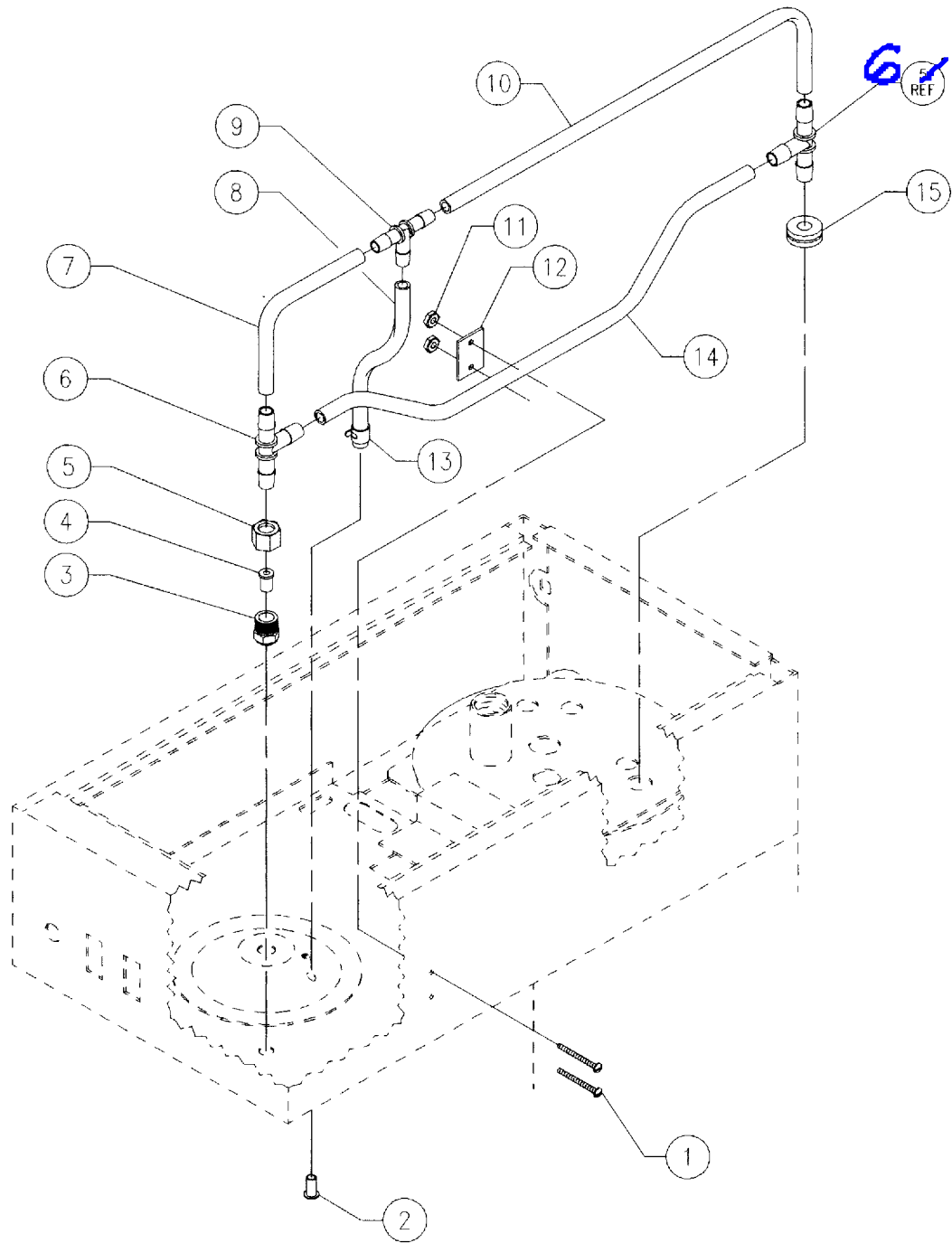
Item **Part No** **Description**

- 701429 Tank Assembly, 1375/5500W
- 701965 Tank Assembly, 1375/5500W (For Use With By-Pass)
- 701369 Tank Assembly, 1150/4600W, Canada

the above tank assemblies contain all item numbers shown
except for items 20, 25 and 26

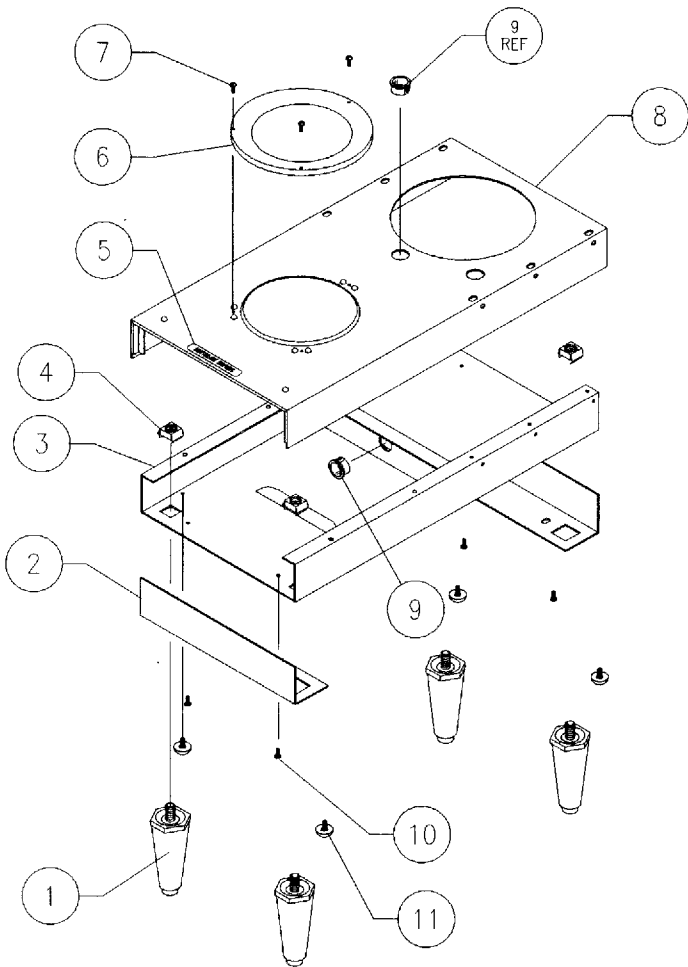
- 1 700439 Tank, Water
- 2 704221 Gasket, Tank
- 3 701286 Element, Tank, 1375W/120V; 5500W/240V
(Includes Items 5 And 9)
- 3 701287 Element, Tank, 1150W/120V; 4600W/240V
Canada (Includes Items 5 And 9)
- 4 771031 Coil Assembly, Hot Water
- 5 100409 Gasket, .515 ID
- 6 100431 Nut, Hex, 9/16-24
- 7 701418 Lid Assembly, Tank
- 7 701931 Lid Assembly, Tank (for Use With By-Pass)
- 8 100061 Nut, Hex, 8-32
- 9 100190 Nut, Jam, 1/2-20
- 10 101720 Connector, Female 3/8 Comp X Male 1/8 NPT
- 11 767110 Valve, Needle Angle, 1/4FL
- 12 701305 Thermostat, Manual Reset Hi-Limit
- 13 100243 Nut, Hex, 4-40
- 14 100177 Elbow, Male, 1/4FL X 1/8 NPT
- 15 100175 Grommet, Thermostat
- 16 100209 Clip, Capillary Bulb
- 17 100030 Gasket, Tank Fitting
- 18 101299 Thermostat, Regulating (Includes Item 15)
- 19 705198 Bracket, Thermostat
- 20 100043 Knob, Thermostat
- 21 100065 Screw, 6-32 X 5/16"
- 22 781555 Gasket, Sprayhead Tube/Siphon
- 23 700069 Tube Assembly, Sprayhead
- 24 100025 Gasket, Sprayhead
- 25 201173 Nut, Sprayhead, 7/16-20
- 26 701483 Sprayhead

BY-PASS ASSEMBLY



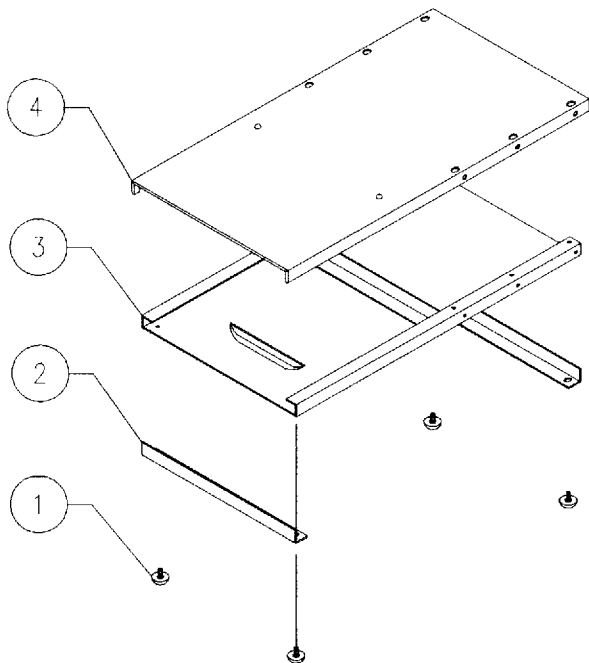
Item	Part No	Description	Item	Part No	Description
1	781559	Screw, 8-32 X 3/4"	8	106008	Tubing, Silicone, 1/4" ID X 5" Lg
2	201112	Insert, 1/4" Tubing	9	701938	Tee, Tube, 1/4 X 1/4 X 1/4
3	01-1193	Adaptor (Comes Assembled To Brew Plate) See Item 9 On Page 2	10	701941	Tubing, Silicone, 1/4" ID X 12" Lg
4	701720	Bushing, By-Pass Line	11	107240	Nut, Hex Lock, 8-32
5	701934	Nut, 3/8" Compression	12	701936	Clamp, By-Pass Line
6	107331	Tee, Tube, 3/8 X 3/8 X 3/8	13	100440	Clamp, Hose
7	701942	Tubing, Silicone, 1/4" ID X 6" Lg	14	701939	Tubing, Silicone, 1/4" ID X 15" Lg
			15	101938	Grommet, Silicone

WARMER MODEL BASE ASSEMBLY



Item	Part No	Description
1	100542	Leg, Black Plastic, 4"
2	701616	Plate, Face
3	701542	Base, Bottom
4	704103	Nut, Tinnerman Retainer
5	100254	Decal, "CAUTION:HOT SURFACES"
6	100809	Warmer Plate Assembly, Black, 120W 120V
6	110875	Warmer Plate Assembly, Black, 150W 120V (used with G-25, G-30 Dispensers)
7	100160	Screw, 4-40 X 5/8"
8	701433	Base, Top
9	100003	Bushing, 3/4" Snap
10	511027	Screw, 8-32 X 3/8"
11	100078	Foot, Bumper

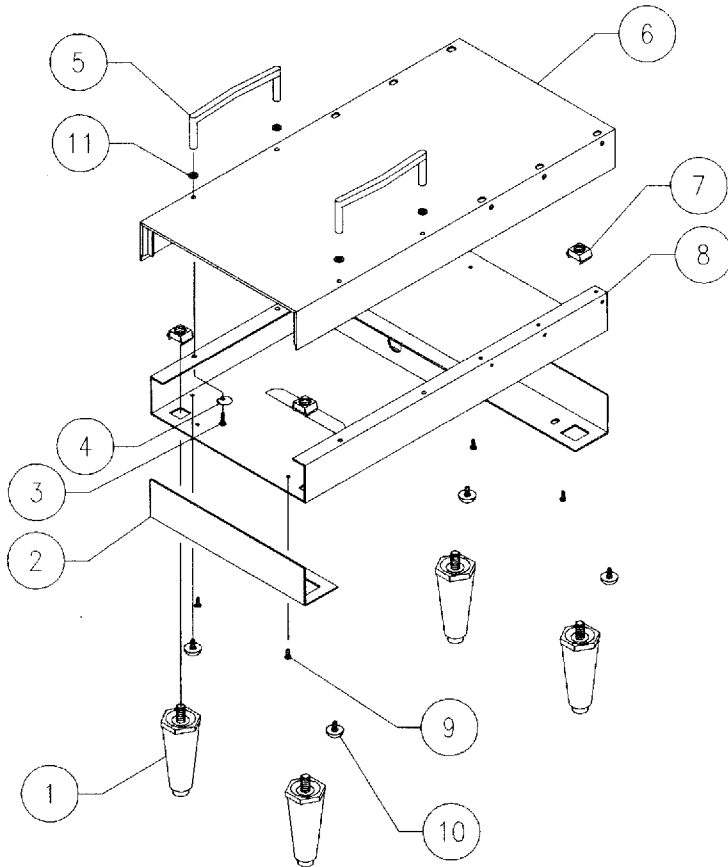
DISPENSER AND AIRPOT MODEL BASE ASSEMBLIES



BASE ASSEMBLY, MODEL P AND TD

Item	Part No	Description
1	100078	Foot, Bumper
2	701634	Plate, Trim
3	701600	Base, Bottom, Model P
3	701605	Base, Bottom, Model TD
4	701638	Base, Top, Model P
4	701639	Base, Top, Model TD

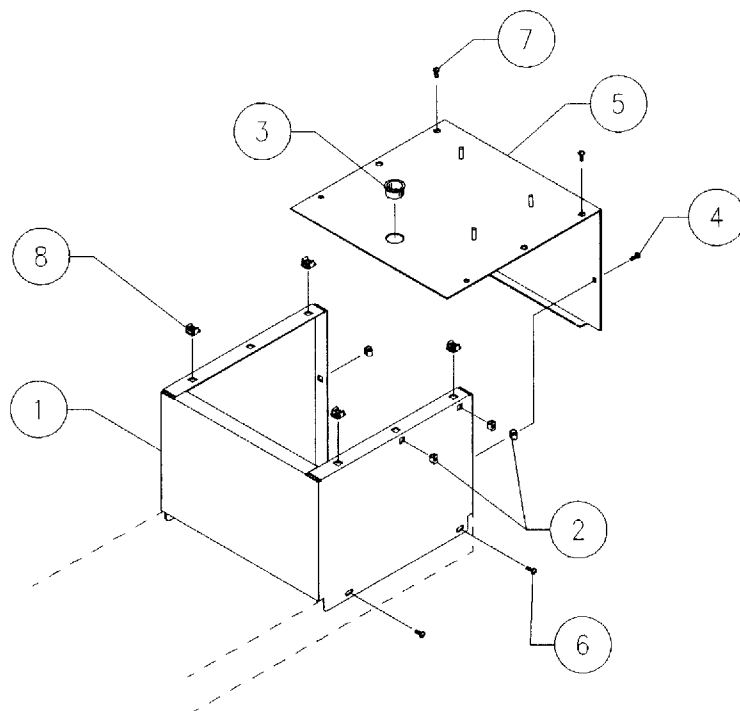
DISPENSER MODEL BASE ASSEMBLY



BASE ASSEMBLY, MODEL 8D

Item	Part No	Description
1	100542	Leg, Black Plastic, 4"
2	701616	Plate, Face
3	701309	Screw, 6-32 X 1/2"
4	700509	Washer,
5	701541	Handle, Formed
6	701617	Base, Top
7	704103	Nut, Tinnerman Retainer
8	701542	Base, Bottom
9	511027	Screw, 8-32 X 3/8"
10	100078	Foot, Bumper

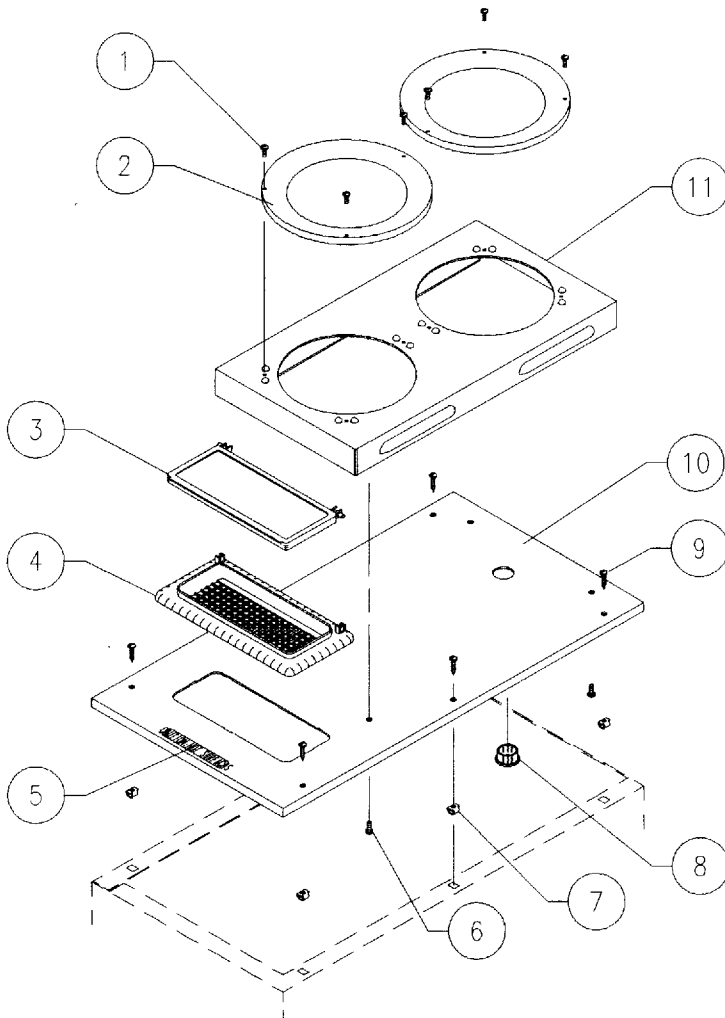
RISER ASSEMBLY



RISER ASSEMBLY, MODELS TD, 8D, P. 30

Item	Part No	Description
1	701624	Riser, 3-11/16", Models P, 30
1	701623	Riser, 6-1/4", Model TD
1	701622	Riser, 7-1/2", Model 8D
2	701520	Nut, #8 Tinnerman Expansion
3	100003	Bushing, 3/4" Snap, Model 30
4	701519	Screw, #8 X 3/8"
5	701667	Back, Riser, 3-11/16", Models P, 30
5	701664	Back, Riser, 6-1/4", Model TD
5	701666	Back, Riser, 7-1/2", Model 8D
6	511027	Screw, 8-32 X 3/8"
7	511087	Screw, 8-32 X 1/2"
8	705766	Nut, 8-32 Cage

COVER ASSEMBLY



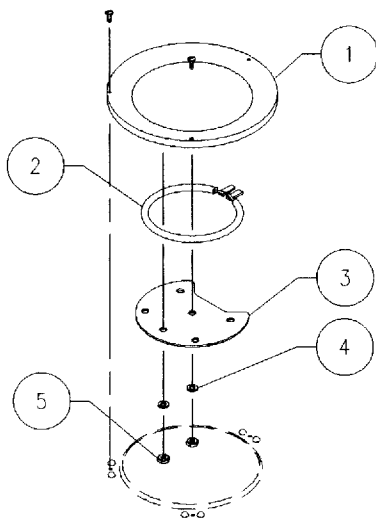
COVER ASSEMBLY, 1 AND 2 STATION WARMER

<u>Item</u>	<u>Part No</u>	<u>Description</u>
1	100160	Screw, 4-40 X 5/8"
2	100010	Warming Plate Assembly, Black, 100W 120V
3	110624	Cover, Black Plastic
4	110623	Grid, Black Plastic
5	100254	Decal, "CAUTION:HOT SURFACES"
6	102333	Screw, 6-32 X 3/8" (2 station covers)
6	100192	Rivet, Pop (1 station covers)
7	700053	Nut, #6 Tinnerman Expansion
8	100003	Bushing, 3/4" Snap
9	700040	Screw, #6 X 5/8
10	705751	Cover, 2 Station
10	705749	Cover, 1 Station
11	705370	Stove, 2 Station
11	705371	Stove, 1 Station

COVER ASSEMBLY, PLAIN

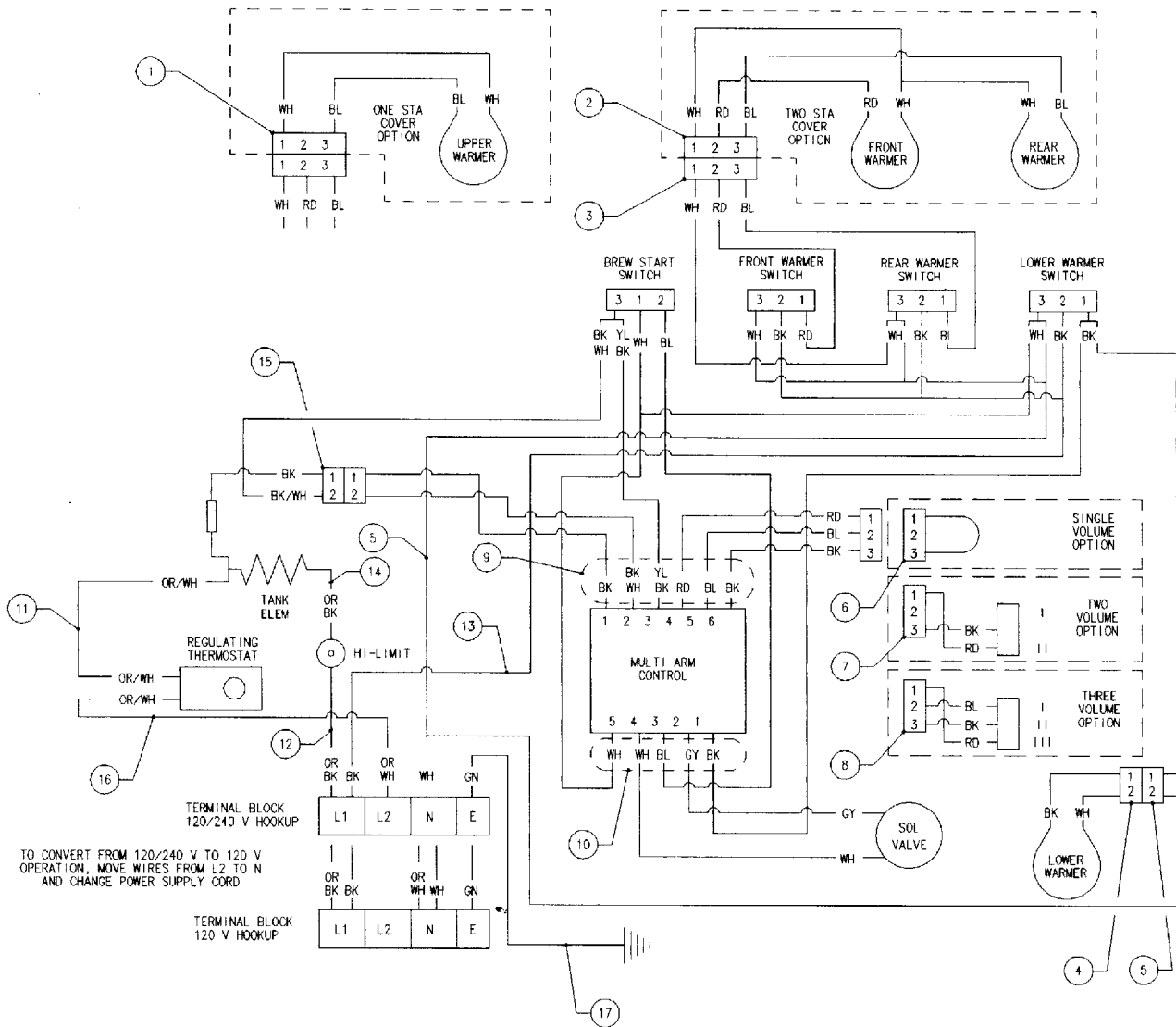
<u>Item</u>	<u>Part No</u>	<u>Description</u>
3	110624	Cover, Black Plastic
4	110623	Grid, Black Plastic
7	700053	Nut, #6 Tinnerman Expansion
9	700040	Screw, #6 X 5/8
10	705748	Cover, Plain

WARMER ASSEMBLY



<u>Item</u>	<u>Part No</u>	<u>Description</u>
1	100008	Plate, Warmer, Black Porcelainized
2	202053	Element, 120W 120V (for base warmer)
2	110959	Element, 150W 120V (for base warmer)
2	100187	Element, 100W 120V (for cover warmers)
3	100086	Plate, Element Support
4	100054	Washer, #8 Lock
5	100061	Nut, Hex, 8-32

WIRING DIAGRAM



TO CONVERT FROM 120/240 V TO 120 V OPERATION, MOVE WIRES FROM L2 TO N AND CHANGE POWER SUPPLY CORD

TERMINAL BLOCK 120/240 V HOOKUP

L1 L2 N E

OR BK BK OR WH WH GN

OR BK BK OR WH WH GN

TERMINAL BLOCK 120 V HOOKUP

Item	Part No	Description	Item	Part No	Description
1	701546	Harness, 1 Station Cover	10	701548	Harness, Timer
2	701385	Harness, 2 Station Cover	11	701438	Lead, 12Ga Or/Wh 6.5" Teflon 1s-3cs
3	701386	Harness, Switch To Cover	12	701441	Lead, 12Ga Or/Bk 16" Teflon 1-1s
4	701551	Harness, 1 Station Base	13	701557	Harness, Switch, Black
5	701529	Harness, Switch To Base	14	701788	Lead, 12Ga Or/Bk 5.5" Teflon 1s-1s
6	701360	Harness, 1 Volume Selection	15	701361	Harness, Auto-Arm
7	701364	Harness, 2 Volume Selection	16	701439	Lead, 12Ga Or/Wh 12.5" Teflon 1-3cs
8	701547	Harness, 3 Volume Selection	17	701706	Lead, 14Ga Gn 3" Teflon 1-3b
9	701362	Harness, Timer			