

TELESCOPING SERIES

FC-TS



ONE BREWER...THE SOLUTION

Newco's Telescoping Brewer that adjusts to fit your dispensers.



Features

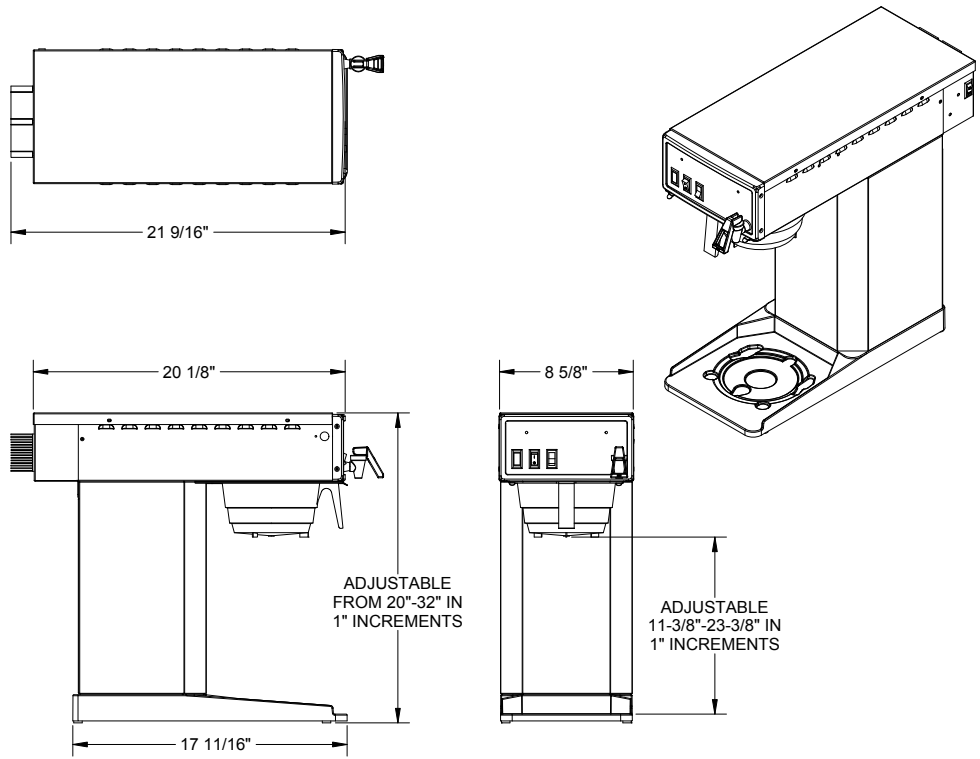
- Ready light indicates optimum brew temperature.
- Flashing brew light alerts user that coffee is brewing.
- Universal base for perfect dispenser alignment.
- Gravity fed hot water faucet for tea, soups and hot cocoa.
- Tank "ON/OFF" switch for easy installation.
- Pulse brewing option - when turned "on" allows pulsation of water over coffee grounds of coffee.
- Auto arm capable. When activated locks out brew cycle until optimum temperature is achieved.
- Dump Valve.



Telescoping FC Model

Machine Height Basket Clearance in Inches

19.56	11.5
20.56	12.5
21.56	13.5
22.56	14.5
23.56	15.5
24.56	16.5
25.56	17.5
26.56	18.5
27.56	19.5
28.56	20.5
29.56	21.5
30.56	22.5
31.56	23.5



Additional Information

Part Number	Model	Height	Width	Depth	Volts	Watts	Amps	Ship Wt.
120730	FC-TS	VAR	8.5	16.4	USA / CAN 120 / 120	USA / CAN 1750 / 1400	USA / CAN 14.6 / 11.7	34

*Cord not included on 240s models. Available for purchase. Contact Customer Service

Electrical: 120V models are 2 wires plus ground service rated 120V, single phase, 60Hz. 120/240 V models are 3 wires plus ground service rated 120/240 V, single phase, 60Hz

Plumbing: Water line should be 20-90 PSI and have a minimum flow rate of 1.5 GPM. Mechanical connection on brewer is 1/4" male flare connector.