

# AKH-1



The AKH fresh water brewing system is different from conventional water tank brewers which hold two to three pots of hot water. The fresh water system only boils the required amount of water that is poured into the brewer, and therefore gives you a fresher cup of coffee.

Faster brew times are achieved with this system due to advanced technology built into the delivery system which allows for continuous, uninterrupted flow of water.

Our heat pump system uses fresh cold water which retains more oxygen for fresher taste and brews at a much hotter temperature which results in better coffee extraction.

The AKH fresh water brewing system is designed to be on only when the coffee is brewing. This benefit reduces energy consumption up to 70%.

The AKH models of brewers to satisfy customers request for a simple functioning pour over brewer suited for the office/ home environment. This series incorporates a heat pump system rather than the traditional displacement hot water tank system.



# AKH-1

**Style:** Pour Over

**Brew Operations:** Analog

**Heating System:** Heat Pump

**Water Delivery:** Displacement

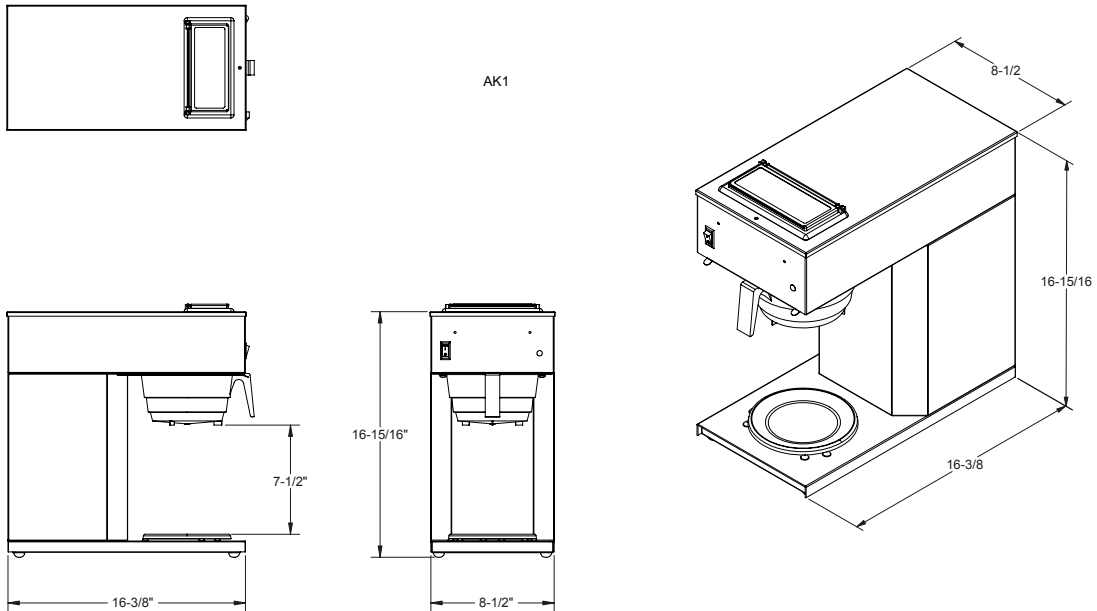
**Tank System:** Heat Pump

**Voltage:** 120v

**Cabinet:** Semi-Modular

**Energy Smart:** Yes

# AKH-1



## Additional Information

Part Number	Model	Height	Width	Depth	Volts	Watts	Amps	Weight
110400	AKH-1	16.9	8.5	16.4	120 / 120	1675 / 1250	14.0 / 10.4	24 LBS