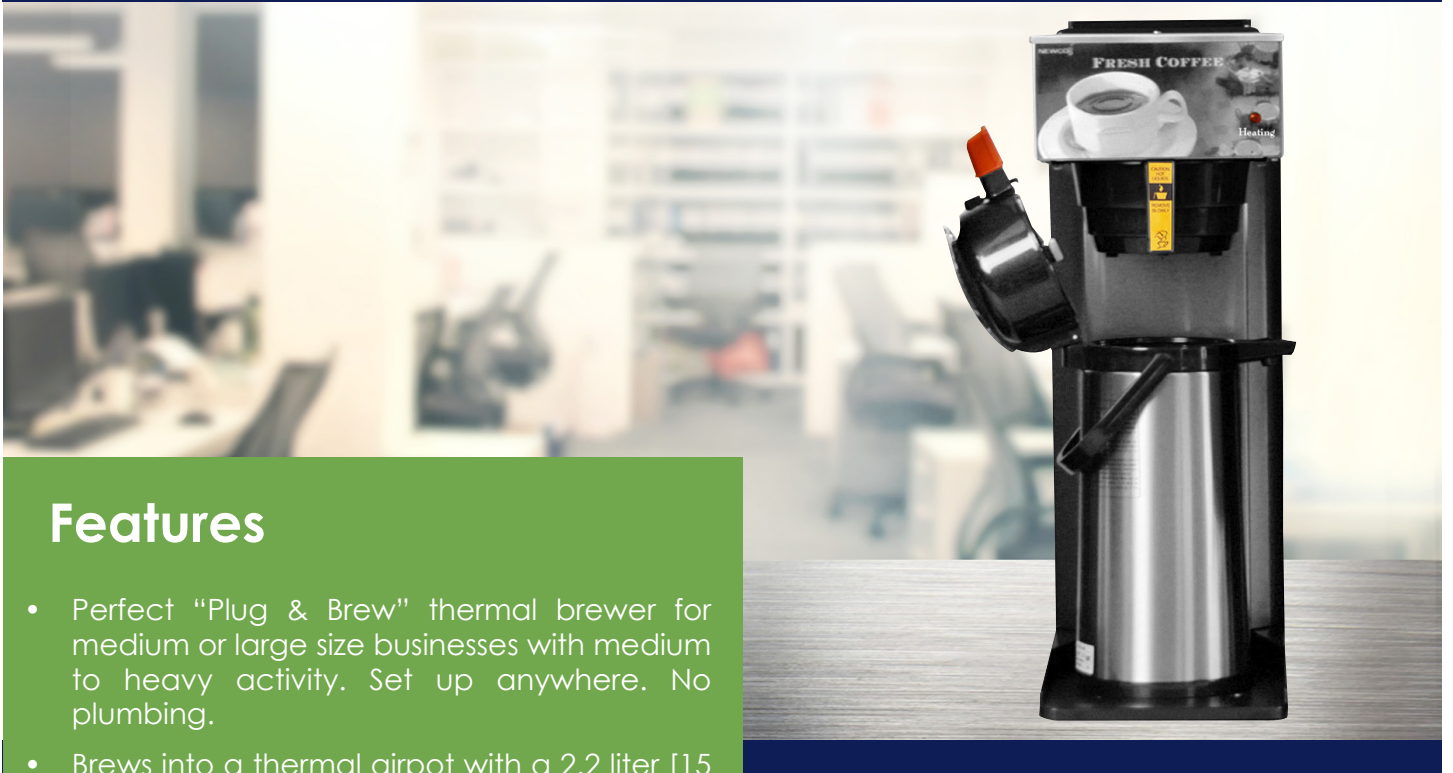


AKH-AP



Features

- Perfect “Plug & Brew” thermal brewer for medium or large size businesses with medium to heavy activity. Set up anywhere. No plumbing.
- Brews into a thermal airpot with a 2.2 liter [15 cups] capacity. Coffee stays warm for 2 hours, or more, without breaking down. Minimum waste or labor making coffee.
- Developed for medium or large locations like a break room counter top, a sitting room environment, cafeteria, small convenience stores, or restaurants.
- Designed with a heat pump system delivering hot water when a pitcher of cold water is poured in to the brewer.
- A “Heating” light indicates that brewing process is in progress and will turn off when brewing process is finished.
- The heat pump system is designed to be energy efficient because there is no traditional hot water holding tank. The efficiency value is that it only brews when water is poured into the brewer. This reduces energy cost.

The AKH fresh water brewing system is different from conventional water tank brewers which hold two to three pots of hot water. The fresh water system only boils the required amount of water that is poured into the brewer, and therefore gives you a fresher cup of coffee.

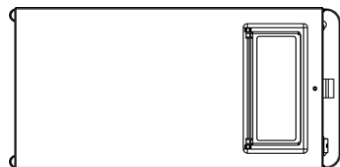
Faster brew times are achieved with this system due to advanced technology built into the delivery system which allows for continuous, uninterrupted flow of water.

Our heat pump system uses fresh cold water which retains more oxygen for fresher taste and brews at a much hotter temperature which results in better coffee extraction.

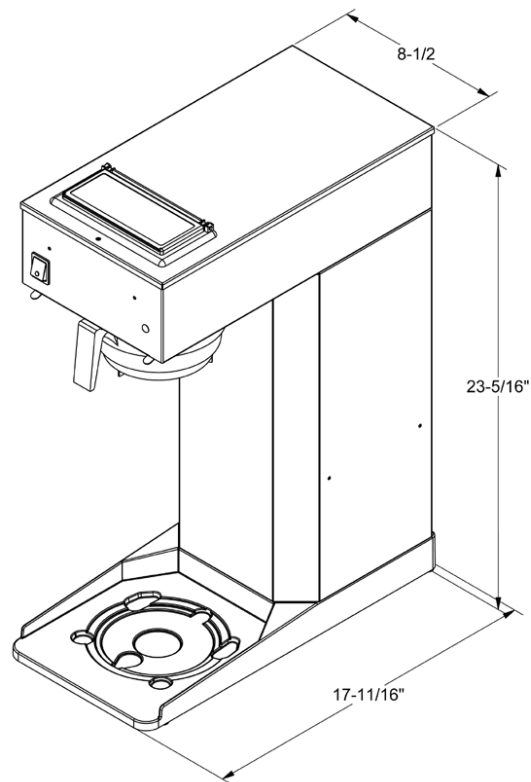
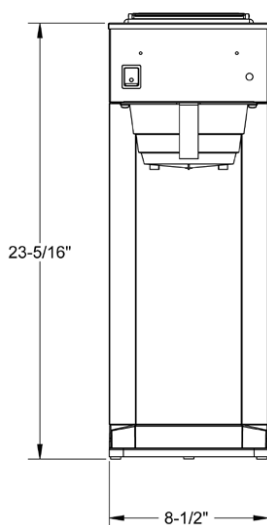
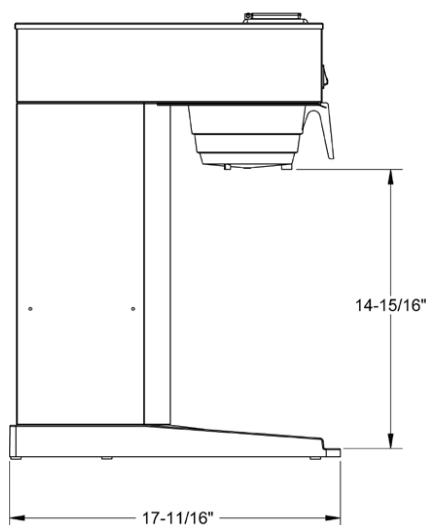
The AKH fresh water brewing system is designed to be on only when the coffee is brewing. This benefit reduces energy consumption up to 70%.

AKH-AP

The AKH models of brewers to satisfy customers request for a simple functioning pour over brewer suited for the office/home environment. This series incorporates a heat pump system rather than the traditional displacement hot water tank system.



AKAP



Tank System: Heat Pump

Style: Pour Over

Voltage: 120V

Brew Operations: Analog

Cabinet: Semi-Modular

Heating System: Heat Pump

Energy Smart: Yes

Water Delivery: Displacement

Additional Information

Item Number	Model	Height	Width	Depth	Ship Wt.	Volts	Watts	Amps
110415	AKH-AP	23.9	8.5	17.7	25	120V / 120V	1775W / 1500W	14.8A / 12.5A