

STACKABLE TEA

DISPENSERS



1.5 Gal

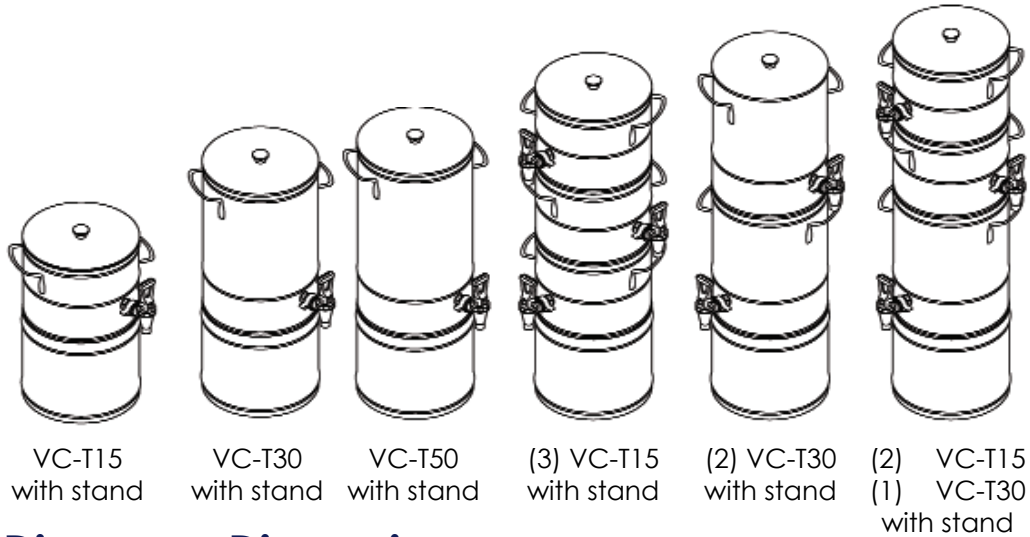
3 Gal

5 Gal

Stack different sizes on top of each other and create a TEA TOWER. Useful when serving different flavors.

Increase your profitability by adding flavored or variety teas to your menu with Newco's stackable tea urns, the only tea dispenser that respects your counter top space. Each tea dispenser comes standard with a brew through lid that doubles as a stand for another dispenser. The stackable tea dispensers can easily be turned left or right for easy dispensing from the faucet.

Stackable Tea Dispensers



VCT Tea Dispenser Dimensions

Part Number	Description	Physical Dimensions
800260	VCT-1.5 Gal Tea Dispenser	10.5"W x 8.172"H
800261	VCT-3.0 Tea Dispenser	10.5"W x 11.647"H
800262	VCT-5.0 Tea Dispenser	10.5"W x 16.172"H
800263	Tea Dispenser Stand - Short	10.75"W x 7.50"H
800270	Tea Dispenser Stand - Short	10.75"W x 9.00"H

Accessories

Part Number	Description
800101	Tea Dispenser Label <i>*not shown</i>
800103	Plastic Tea Lid Assembly - Black

Labels

Part Number	Description	
800401	Tea Fields	Label VCT-15
800402	Tea Fields	Label VCT-30
800403	Tea Fields	Label VCT-50

Personalize your Equipment

Newco also offers custom branding. Personalize your equipment with our templates, our design team, or we can print your design.

