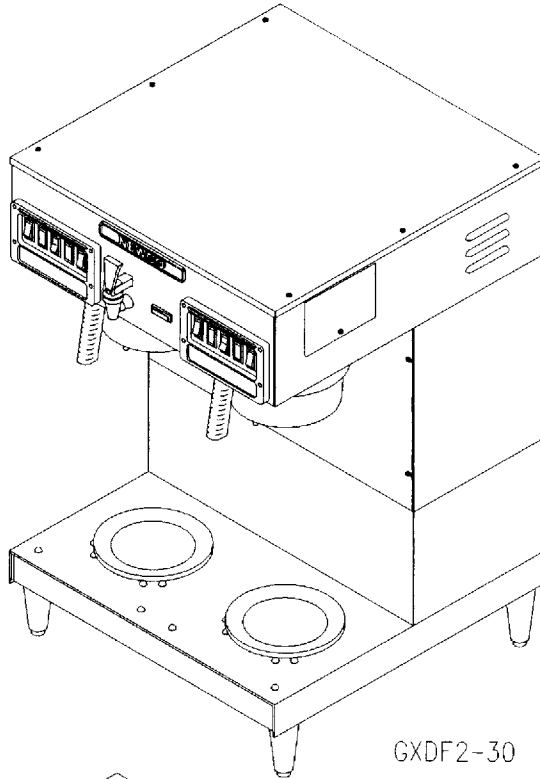


NEWCO

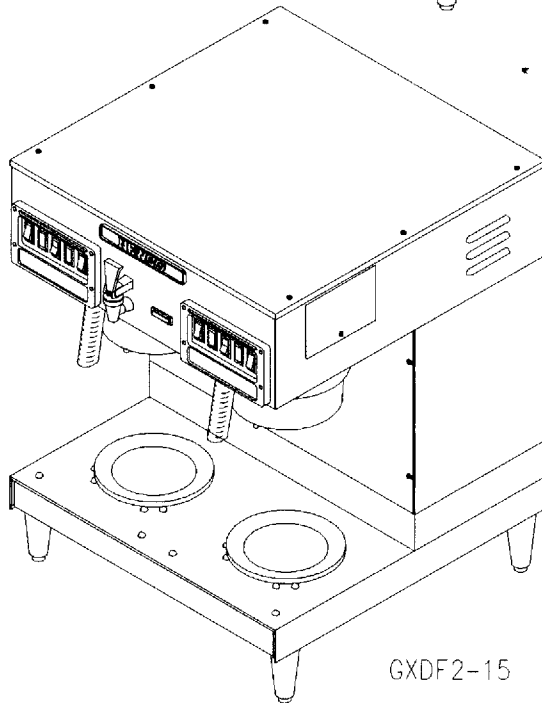
GXD SERIES

REPLACEMENT PARTS CATALOGUE

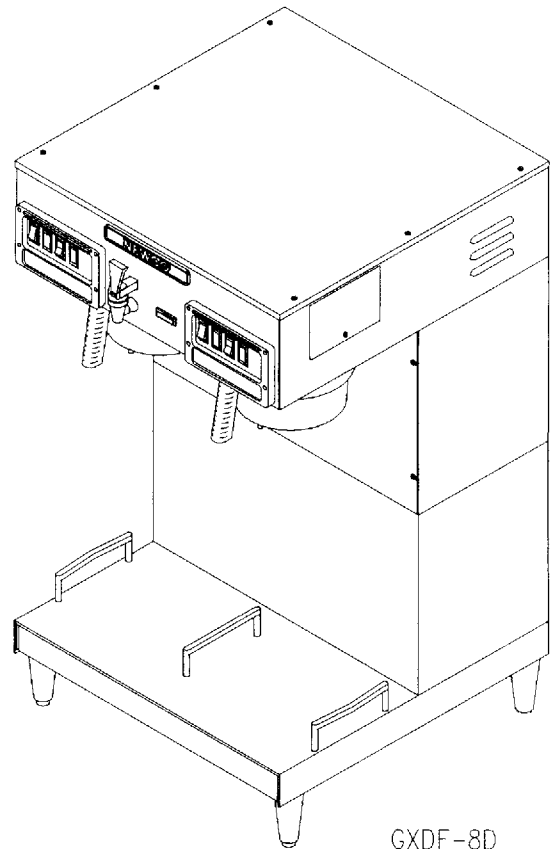


GXDF2-30

- GXDF2-15
- GXDF2-30
- GXDF-8D



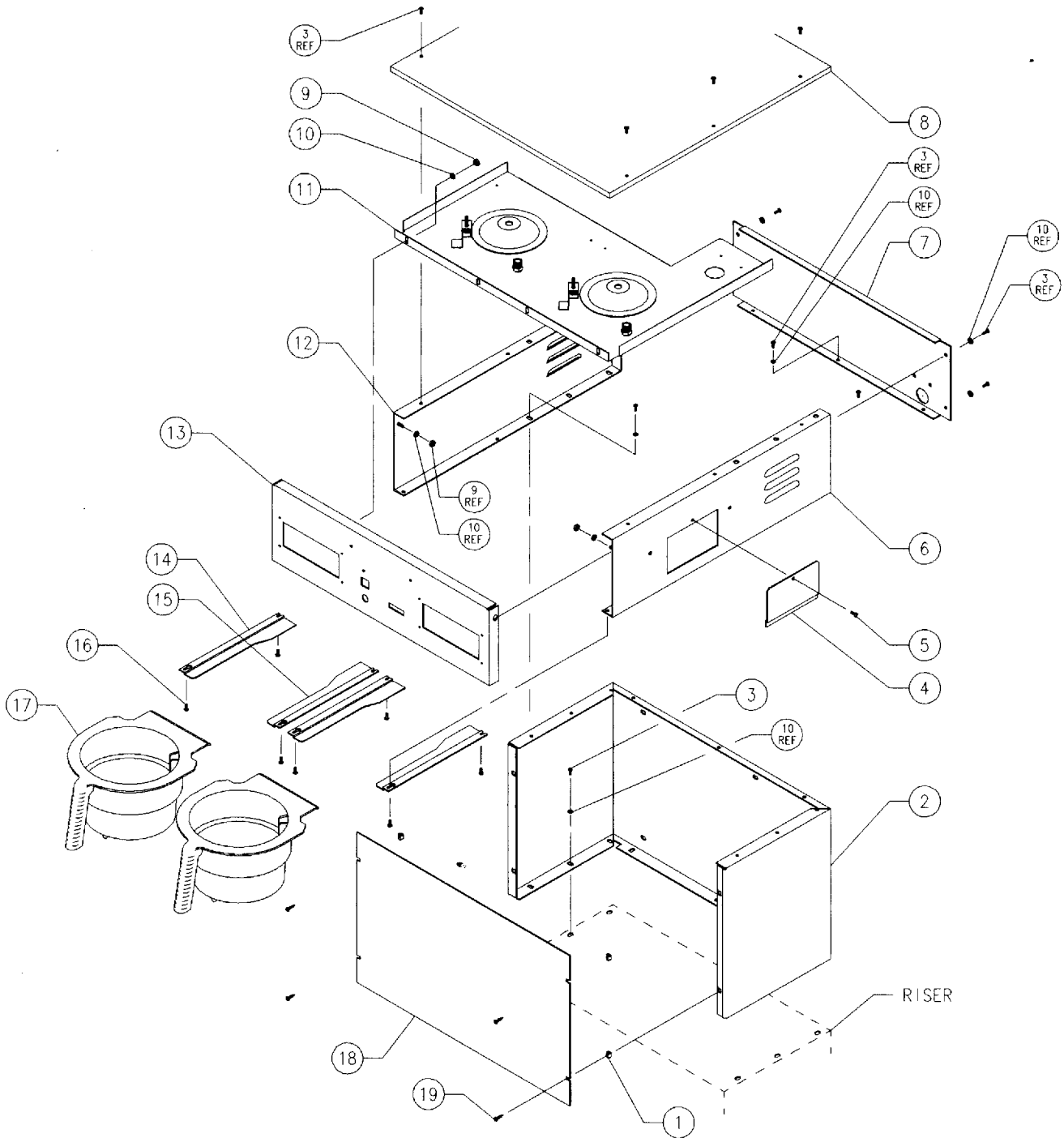
GXDF2-15



GXDF-8D

NEWCO Enterprises, inc.

BODY ASSEMBLY

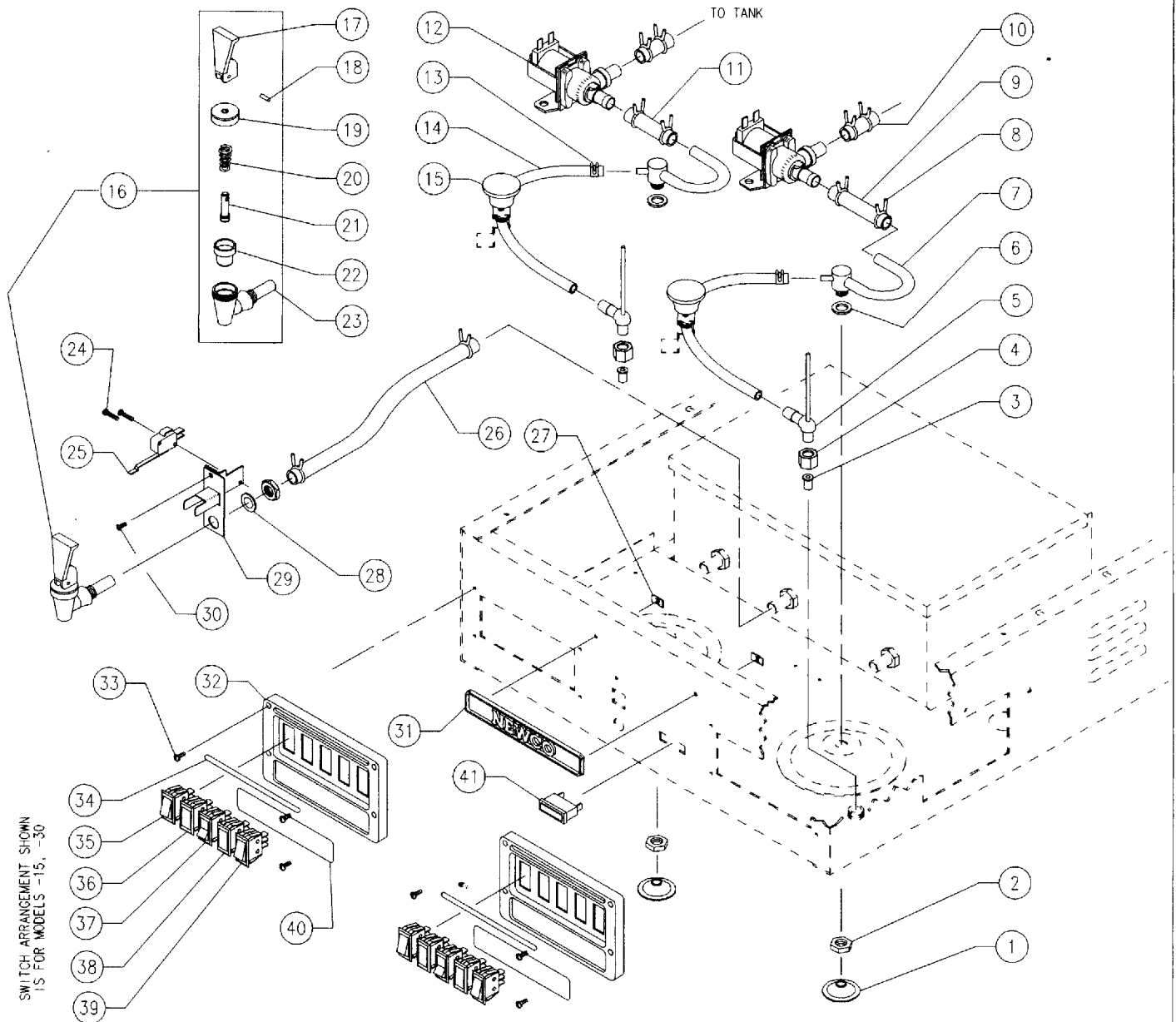


| Item | Part No | Description |
|------|---------|-----------------------------|
| 1 | 700053 | Nut, #6 Tinnerman Expansion |
| 2 | 701829 | Column |
| 3 | 511027 | Screw, 8-32 X 3/8" |
| 4 | 108014 | Access Plate, Control Board |
| 5 | 102333 | Screw, 6-32 X 3/8" |
| 6 | 701807 | Wrapper, Upper, RH |
| 7 | 701739 | Bracket, Plumbing |
| 8 | 701700 | Cover, Plain |
| 9 | 100061 | Nut, Hex 8-32 |
| 10 | 100054 | Washer, #8 Lock |
| 11 | 701979 | Brew Plate |

| Item | Part No | Description |
|------|---------|---------------------------|
| 12 | 701806 | Wrapper, Upper, LH |
| 13 | 701805 | Face Plate |
| 14 | 701319 | Brew Rail, LH |
| 15 | 701676 | Brew Rail, RH |
| 16 | 701518 | Screw, 6-32 X 1/2" |
| 17 | 701714 | Brew Basket, Plastic |
| 17 | 701713 | Brew Basket, S/S |
| 17 | 701527 | Brew Basket, Gourmet, S/S |
| 18 | 701652 | Access Plate, Front |
| 19 | 700040 | Screw, #6 X 5/8" |

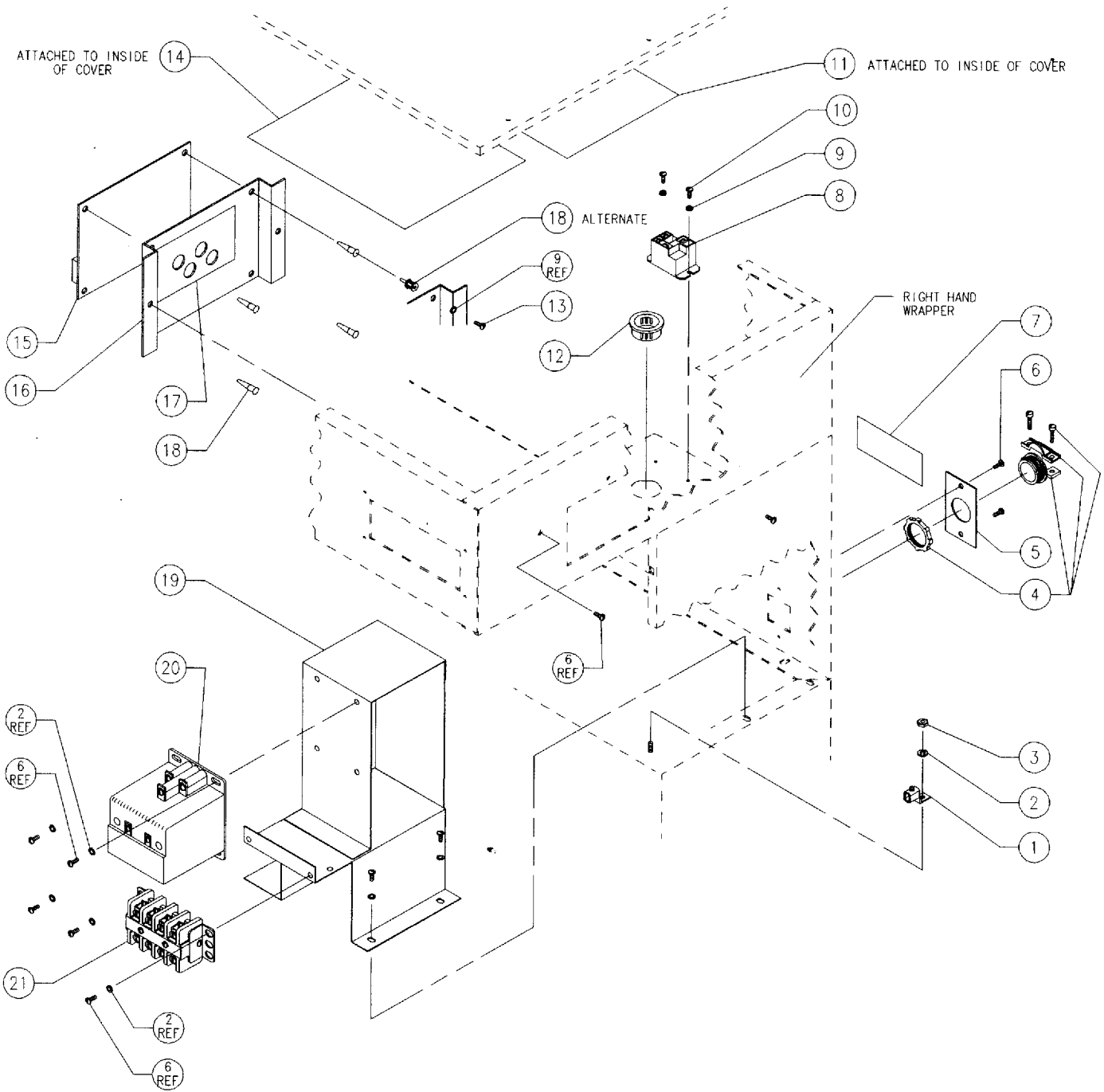
* Part number shown is for the Stainless Steel version.
When ordering add -B to part number for black parts where available.

SWITCHES, FAUCET & DUMP VALVE ASSEMBLY



| Item | Part No | Description | Item | Part No | Description |
|------|---------|--|------|---------|---|
| 1 | 701483 | Sprayhead | 23 | N/A | Faucet Body |
| 2 | 201173 | Nut, Sprayhead, 7/16-20 | 24 | 100160 | Screw, 4-40 X 5/8" |
| 3 | 701720 | Insert, Brass | 25 | 102841 | Switch, Micro, Faucet |
| 4 | 100170 | Nut, 3/8" Compression | 26 | 701984 | Tube, 3/8 ID X 5/8 OD X 9 3/8", Silicone |
| 5 | 701963 | Elbow, 3/8" | 27 | 100184 | Clip, #6 Tinnerman Flat |
| 6 | 100025 | Gasket, Sprayhead | 28 | 101011 | Washer, 1/2" Lock |
| 7 | 701985 | Tube Assy, Sprayhead | 29 | 102807 | Bracket Assy, Micro Switch |
| 8 | 152461 | Clamp, S/S #10 | 30 | 102864 | Screw, 6-32 X 1/4" |
| 9 | 701981 | Tube, 3/8 ID X 5/8 OD X 2 3/4", Silicone | 31 | 100058 | Nameplate, NEWCO |
| 10 | 152151 | Tube, 3/8 ID X 5/8 OD X 1 1/2", Silicone | 32 | 104006 | Trim Plate, Switch, Model -8D |
| 11 | 701982 | Tube, 3/8 ID X 5/8 OD X 2", Silicone. | 32 | 104009 | Trim Plate, Switch, Model -15, -30 |
| 12 | 152114 | Dump Valve, Solenoid | 33 | 04-0367 | Screw, 8-32 X 1/2" |
| 13 | 100440 | Clamp, Hose | 34 | 701946 | Label, Switch, Model -8D |
| 14 | 701412 | Tube, 1/4 ID X 3/8 OD X 6 1/2", Silicone | 34 | 701947 | Label, Switch, Model -15, -30 |
| 15 | 700465 | Knob | 35 | 100085 | Switch, Lighted SPST, Red, Models -15, -30 |
| 16 | 102770 | Faucet Assy | 36 | 100498 | Switch, Blank Dummy |
| 17 | 102786 | Handle, Red | 37 | 201985 | Switch, SPST, Momentary, Brew Start, Black |
| 18 | 100639 | Pin | 38 | 701449 | Light, Brewing, Red |
| 19 | N/A | Cap | 39 | 700434 | Switch, SPST, Black ("I, II" Volume Select) |
| 20 | 100612 | Spring | 40 | 701949 | Label, Faceplate, Model -8D |
| 21 | 203851 | Stem | 40 | 701948 | Label, Faceplate, Model -15, -30 |
| 22 | 102675 | Seat Cup | 41 | 100236 | Light, Indicating, Heating |

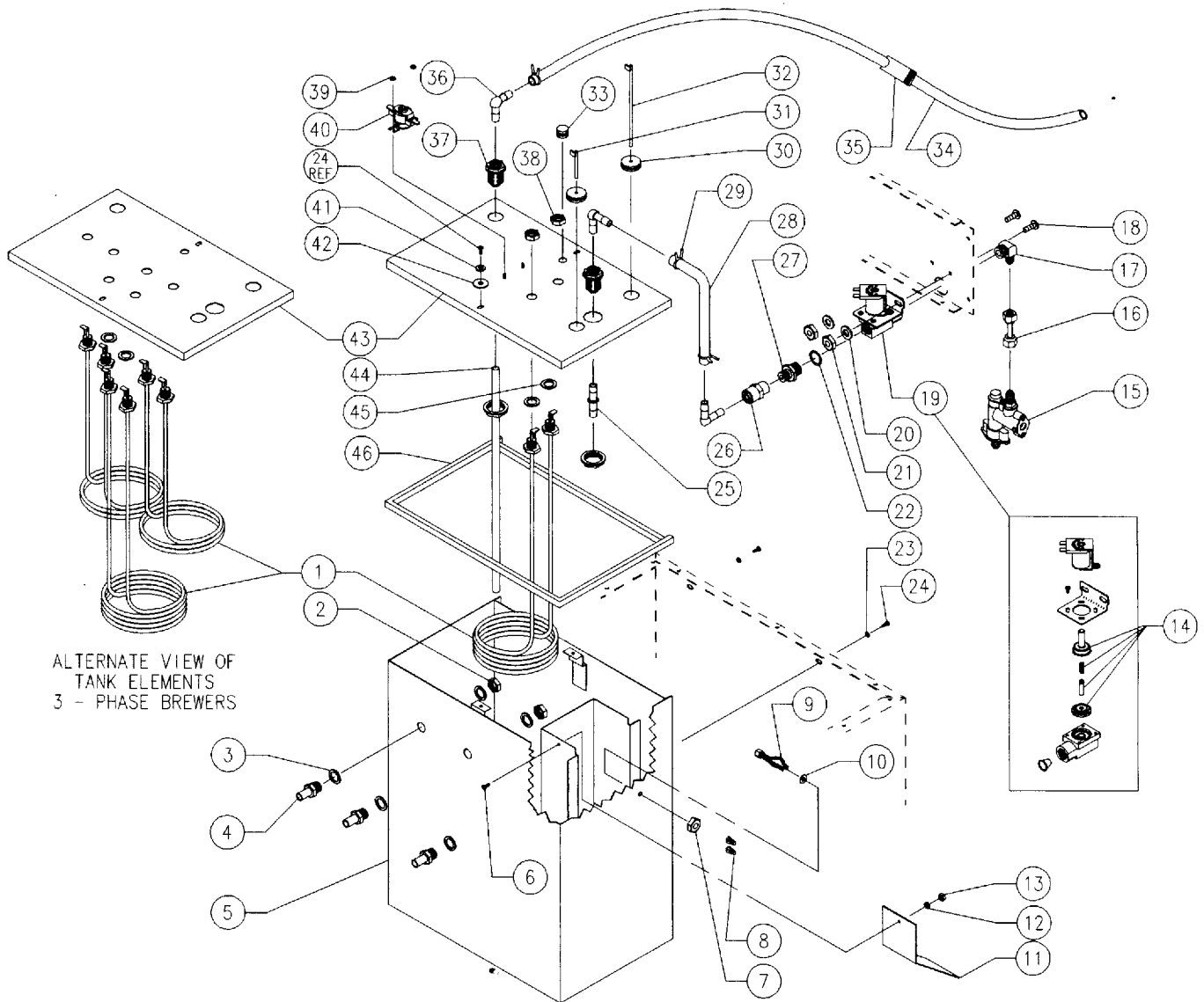
ELECTRICAL CONNECTION AND CONTROL BOARD ASSEMBLY



| Item | Part No | Description |
|------|---------|--------------------------------|
| 1 | 701974 | Grounding Lug |
| 2 | 100054 | Washer, #8 Lock |
| 3 | 100061 | Nut, Hex 8-32 |
| 4 | 511054 | Connector, Cable Strain Relief |
| 5 | 511007 | Cord Plate |
| 6 | 511027 | Screw, 8-32 X 3/8" |
| 7 | 100253 | Decal, Caution |
| 8 | 105057 | Relay, 12V Coil, 120V |
| 9 | 100212 | Washer, #6 Lock |
| 10 | 100065 | Screw, 6-32 X 5/16" |
| 11 | 701496 | Barrier, Fishpaper |
| 12 | 705228 | Bushing, 1-1/8" Snap |

| Item | Part No | Description |
|------|---------|---|
| 13 | 102333 | Screw, 6-32 X 3/8" |
| 14 | 701866 | Label, Schematic |
| 15 | 108143 | Control Board (1 Phase Brewers) |
| 15 | 108225 | Control Board (3 Phase Brewers) |
| 16 | 701783 | Bracket, Control Board |
| 17 | 701988 | Label, Control Board |
| 18 | 102844 | Support, Snap In Control Board |
| 18 | 110581 | Support, Alternate Screw Mounted Type |
| 19 | 701752 | Bracket, Mounting, Relay & Terminal Block |
| 20 | 701973 | Relay, 3-Pole (3 Phase Brewers) |
| 20 | 701987 | Relay, 2-Pole (1 Phase Brewers) |
| 21 | 701972 | Terminal Block |

TANK AND WATER INLET ASSEMBLY



ALTERNATE VIEW OF
TANK ELEMENTS
3 - PHASE BREWERS

Part No 701870
Description Tank Assembly, 5500W/240V, 1 Phase

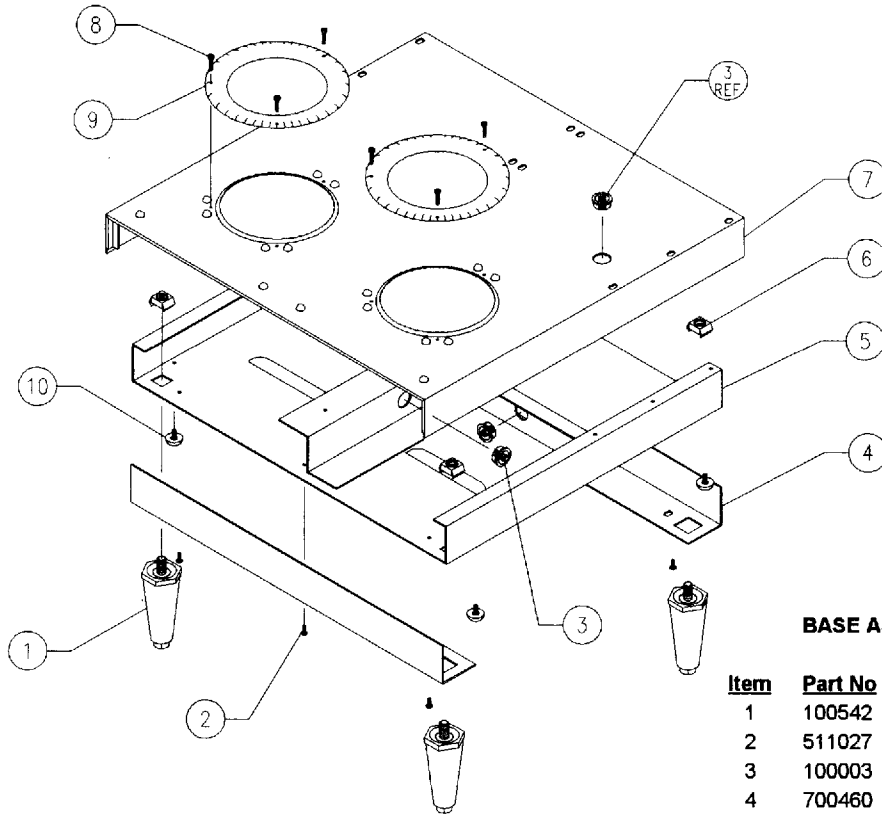
Part No 701875
Description Tank Assembly, 10500W/240V, 3 Phase

The above tank assemblies include all item numbers shown except items 14-24 and 26-27

| Item | Part No | Description |
|------|---------|--|
| 1 | 701286 | Tank Element, 5500W/240V (Incl 38, 45) |
| 1 | 701760 | Tank Element, 3500W/240V, 5 Loop (Incl 38, 45) |
| 1 | 701690 | Tank Element, 3500W/240V, 3 Loop (Incl 38, 45) |
| 2 | 100431 | Nut, Hex, 9/16-24 |
| 3 | 100030 | Gasket, Tank Fitting |
| 4 | 102835 | Fitting, Bulkhead Outlet |
| 5 | 701823 | Tank, Water |
| 6 | 100065 | Screw, 6-32 X 5/16" |
| 7 | 100213 | Nut, Hex, 1/4-20 |
| 8 | 151512 | Nut, Wire Connector |
| 9 | 152184 | Thermistor |
| 10 | 152397 | Washer, Teflon |
| 11 | 107337 | Baffle, Tank Inlet |
| 12 | 100212 | Washer, #6 Lock |
| 13 | 100191 | Nut, Hex, 6-32 |
| 14 | 201158 | Repair Kit, Solenoid Valve |
| 15 | 110307 | Valve Assy, PDS High Flow |
| 16 | 705337 | Tube Assy |
| 17 | 100442 | Elbow, Male, 1/4 FL X 3/8 NPT |
| 18 | 100214 | Screw, 1/4-20 X 1/2" |
| 19 | 100251 | Valve, Solenoid, Hemco |
| 20 | 100215 | Washer, 1/4" Lock |
| 21 | 100213 | Nut, Hex, 1/4-20 |
| 22 | 110784 | Gasket, Solenoid Valve |
| 23 | 100054 | Washer, #8 Lock |

| Item | Part No | Description |
|------|---------|---------------------------------------|
| 24 | 511027 | Screw, 8-32 X 3/8" |
| 25 | 107329 | Connector, Male, 3/8" |
| 26 | 701648 | Connector, Female, 3/8" |
| 27 | 701909 | Cap, Male Pipe, 1/4" |
| 28 | 701983 | Tube, 3/8 ID X 5/8 OD X 8", Silicone |
| 29 | 152461 | Clamp, S/S #10 |
| 30 | 102836 | Grommet, Silicone |
| 31 | 108022 | Probe, Water Level |
| 32 | 108023 | Probe, Heater Safety |
| 33 | 152207 | Plug, Tank, silicone |
| 34 | 701702 | Tube, 3/8 ID X 5/8 OD X 32", Silicone |
| 35 | 701646 | Clamp, Hose, Plastic |
| 36 | 107325 | Elbow, Union, 3/8" |
| 37 | 107328 | Union, Bulkhead, 3/8" |
| 38 | 100190 | Nut, Hex, 1/2-20 |
| 39 | 100243 | Nut, Hex, 4-40 |
| 40 | 701305 | Thermostat, Manual Reset |
| 41 | 152164 | Washer, .218 ID X .562 OD |
| 42 | 701862 | Gasket, .156 ID X .812 OD, Silicone |
| 43 | 701827 | Tank Lid, (1 Phase Brewers) |
| 43 | 701741 | Tank Lid, (3 Phase Brewers) |
| 44 | 701861 | Tube, Drain, S/S |
| 45 | 100409 | Gasket, Tank Fitting |
| 46 | 701147 | Gasket, Tank Lid, Silicone |

WARMER MODEL BASE ASSEMBLY

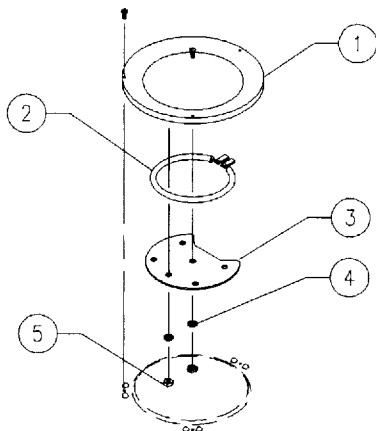


BASE ASSEMBLY, MODEL -15, -30

| Item | Part No | Description |
|------|---------|--|
| 1 | 100542 | Leg, Black Plastic, 4" |
| 2 | 511027 | Screw, 8-32 X 3/8" |
| 3 | 100003 | Bushing, 3/4" Snap |
| 4 | 700460 | Plate, Face |
| 5 | 700451 | Base, Bottom |
| 6 | 704103 | Nut, Tinnerman retainer |
| 7 | 700449 | Base, Top |
| 8 | 100160 | Screw, 4-40 X 5/8" |
| 9 | 100809 | Warmer Plate Assy, Blk, 120V 120 W (Mod -15) |
| 9 | 110875 | Warmer Plate Assy, Blk, 120V 150W (Mod -30) |
| 10 | 100078 | Foot, Bumper |

* Part number shown is for the Stainless Steel version.
When ordering add -B to part number for black parts where available.

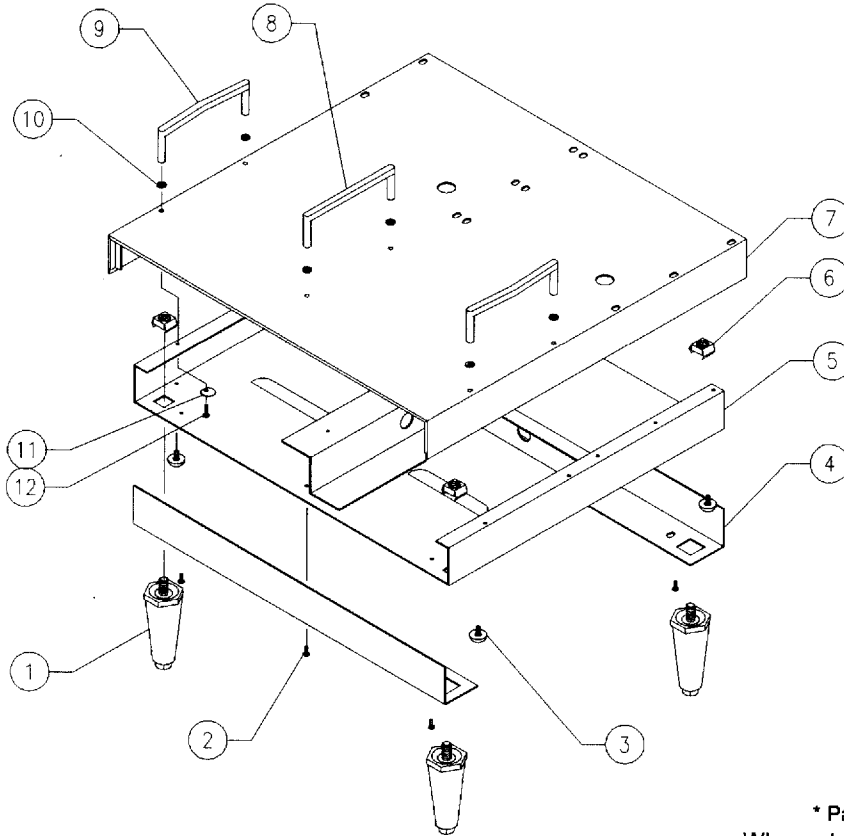
WARMER ASSEMBLY



WARMER PLATE ASSEMBLY

| Item | Part No | Description |
|------|---------|-------------------------------------|
| 1 | 100008 | Warming Plate, Black |
| 2 | 202053 | Element, Warmer 120V 120W (Mod -15) |
| 2 | 110959 | Element, Warmer 120V 150W (Mod -30) |
| 3 | 100086 | Plate, Element Support |
| 4 | 100054 | Washer, #8 Lock |
| 5 | 100061 | Nut, 8-32 Hex |

DISPENSER MODEL BASE ASSEMBLY

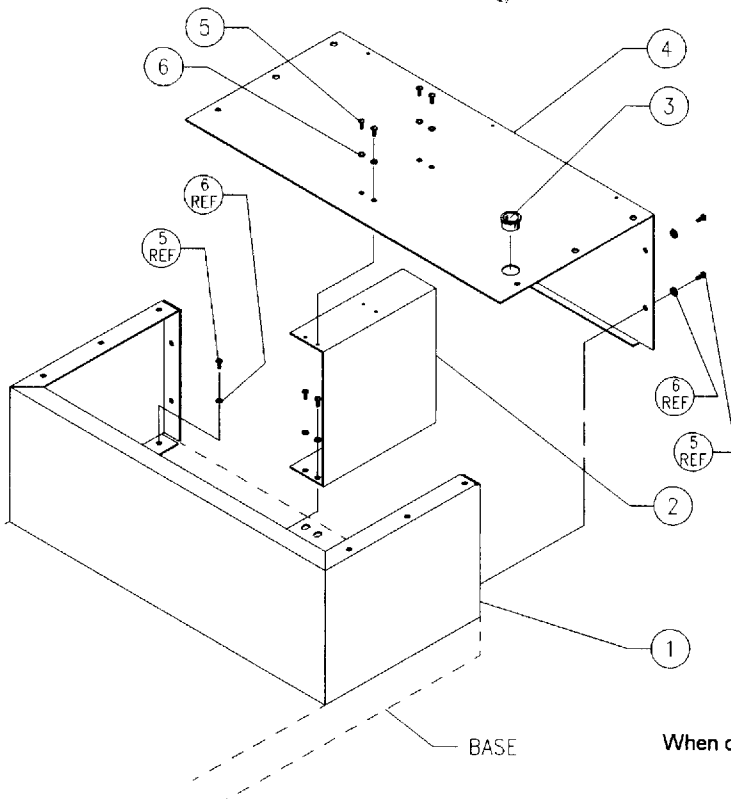


BASE ASSEMBLY, MODEL -8D

| Item | Part No | Description |
|------|---------|-------------------------|
| 1 | 100542 | Leg, Black Plastic, 4" |
| 2 | 511027 | Screw, 8-32 X 3/8" |
| 3 | 100078 | Foot, Bumper |
| 4 | 700460 | Plate, Face |
| 5 | 700451 | Base, Bottom |
| 6 | 704103 | Nut, Tinnerman retainer |
| 7 | 701750 | Base, Top |
| 8 | 700457 | Handle, Formed |
| 9 | 701541 | Handle, Formed |
| 10 | 701511 | Washer, #6, Nylon |
| 11 | 700509 | Washer |
| 12 | 701309 | Screw, 6-32 X 1/2" |

* Part number shown is for the Stainless Steel version.
When ordering add -B to part number for black parts where available.

RISER ASSEMBLY

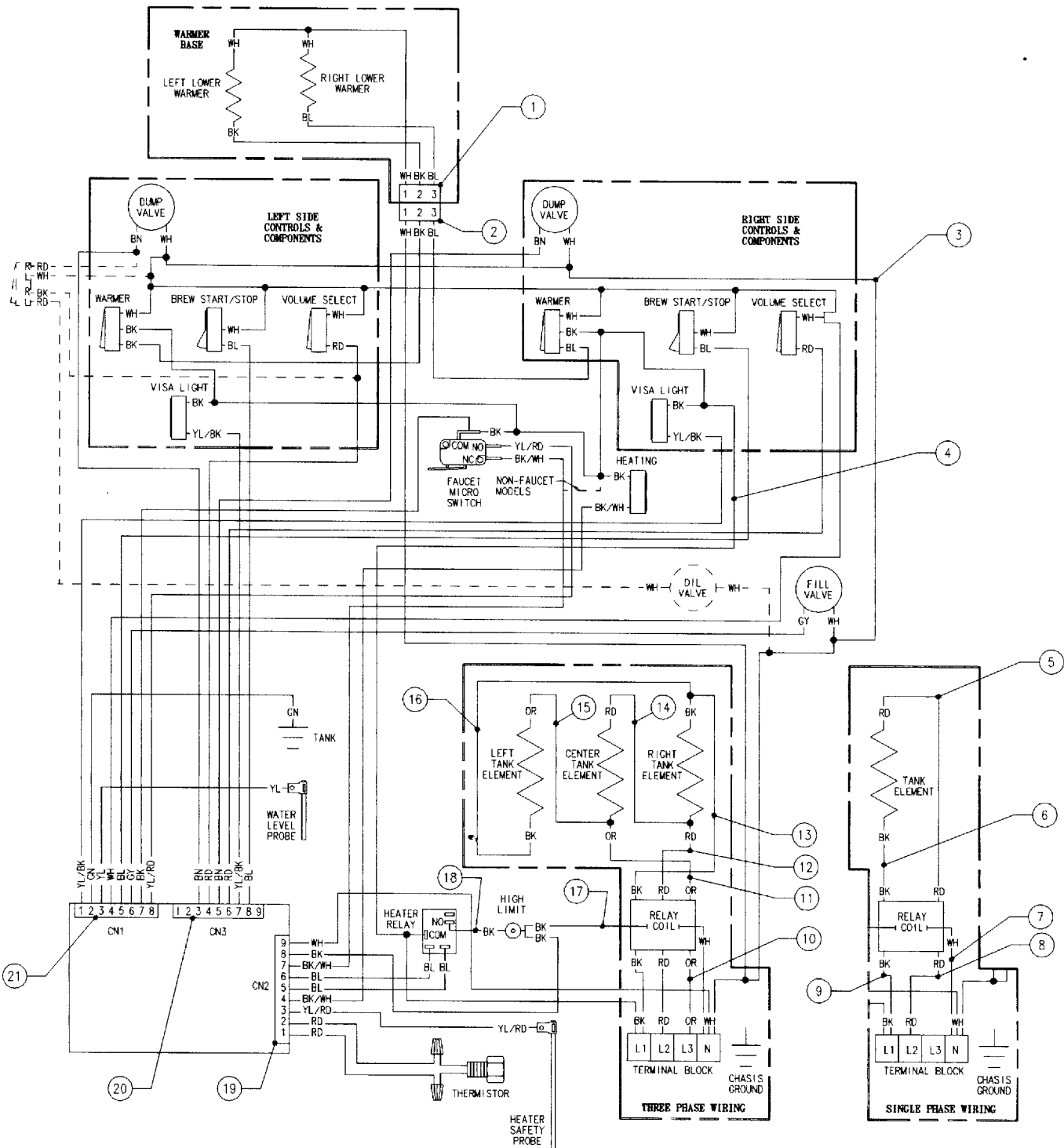


RISER ASSEMBLY

| Item | Part No | Description |
|------|---------|---------------------------------------|
| 1 | 701754 | Riser, 11-1/8", Model -8D |
| 1 | 701293 | Riser, 7", Model -30 |
| 1 | 700471 | Adapter, Melitta, 1-11/16", Model -15 |
| 2 | 701757 | Support, 11-1/8" Riser, Model -8D |
| 2 | 701294 | Support, 7" Riser, Model -30 |
| 2 | 700473 | Support, 1-11/16" Adapter, Model -15 |
| 3 | 100003 | Bushing, 3/4" Snap |
| 4 | 701759 | Back, 11-1/8" Riser, Model -8D |
| 4 | 701746 | Back, 7" Riser, Model -30 |
| 4 | 701871 | Top, 1-11/16" Adapter, Model -15 |
| 5 | 511027 | Screw, 8-32 X 3/8" |
| 6 | 100054 | Washer, #8 Lock |

* Part number shown is for the Stainless Steel version.
When ordering add -B to part number for black parts where available.

WIRING DIAGRAM



| Item | Part No | Description |
|------|---------|--|
| 1 | 701903 | Harness, Base, Models -15, -30 |
| 2 | 701943 | Harness, Switch To Base, Models -15, -30 |
| 3 | 701904 | Harness, Switch, White, Model -15, -30 |
| 3 | 701926 | Harness, Switch, White, Model -8D |
| 4 | 701902 | Harness, Switch, Black, Model -15, -30 |
| 4 | 701927 | Harness, Switch, Black, Model -8D |
| 5 | 701777 | Lead, 10Ga Rd 15" 3C-1BS (1 Phase) |
| 6 | 701778 | Lead, 10Ga Bk 15" 3C-1S (1 Phase) |
| 7 | 701774 | Lead, 18Ga Wh 7" 3B-Stripped |
| 8 | 701768 | Lead, 10 Ga Rd 5" 3C-Stripped |
| 9 | 701771 | Lead, 10 Ga Bk 5" 3C-Stripped |
| 10 | 701769 | Lead, 10 Ga Or 5" 3C-Stripped (3 Phase) |

| Item | Part No | Description |
|------|---------|-------------------------------------|
| 11 | 701763 | Lead, 10 Ga Or 16" 3C-3CS (3 Phase) |
| 12 | 701761 | Lead, 10 Ga Rd 15" 3C-3CS (3 Phase) |
| 13 | 701766 | Lead, 10 Ga Bk 17" 3C-3CS (3 Phase) |
| 14 | 701762 | Lead, 10 Ga Rd 4" 3CS-3CS (3 Phase) |
| 15 | 701764 | Lead, 10 Ga Or 6" 3CS-3CS (3 Phase) |
| 16 | 701767 | Lead, 10 Ga Bk 4" 3CS-3CS (3 Phase) |
| 17 | 701772 | Lead, 18 Ga Bk 23" 1S-3B |
| 18 | 700132 | Lead, 18 Ga Bk 15" 1S-1 |
| 19 | 701901 | Harness, CN2 |
| 20 | 701906 | Harness, CN3 |
| 21 | 701907 | Harness, CN4 |