

# DUAL TVT

## COFFEE - TALL AND SHORT



Newco's Dual TVT digital high volume thermal coffee brewer. Newco's TVT control provides simple, intuitive setup and total control of the brewing processes including: digital temperature, volume control, pre-infusion, pulse brewing, 3 volumes / recipe setups per side, and bypass. Brew perfectly extracted coffee every time with the dual TVT brewing system and ensure high profits and customer satisfaction.

## Features

- TVT control module provides total control of all critical brewing functions (Temperature, volume, pre-infusion, pulse brewing, bypass and cold brew lock out).
- Large, twin 300oz tanks provide high capacity brewing and quick recovery. Brew 1.5 gallons on each side at the same time.
- Two independent brew systems allows coffee to continue to be brewed one side compared to single tank system models.
- Specifically designed to accommodate and brew into Newco thermal servers and flexible to accommodate other thermal servers (Bunn, Fetco)
- 3 programmable brew buttons per side provide independent volumes and recipe settings.
- Independent power switches on both sides of machine allow either side to be turned off during low peak times to conserve energy.
- Energy saving features allow unit to conserve energy during periods of non-use.
- Pulse heating routine for precise brewing temperature of water.
- ADA compliant faucet height located on front of machine.
- (2) 13x5 Stainless funnels included



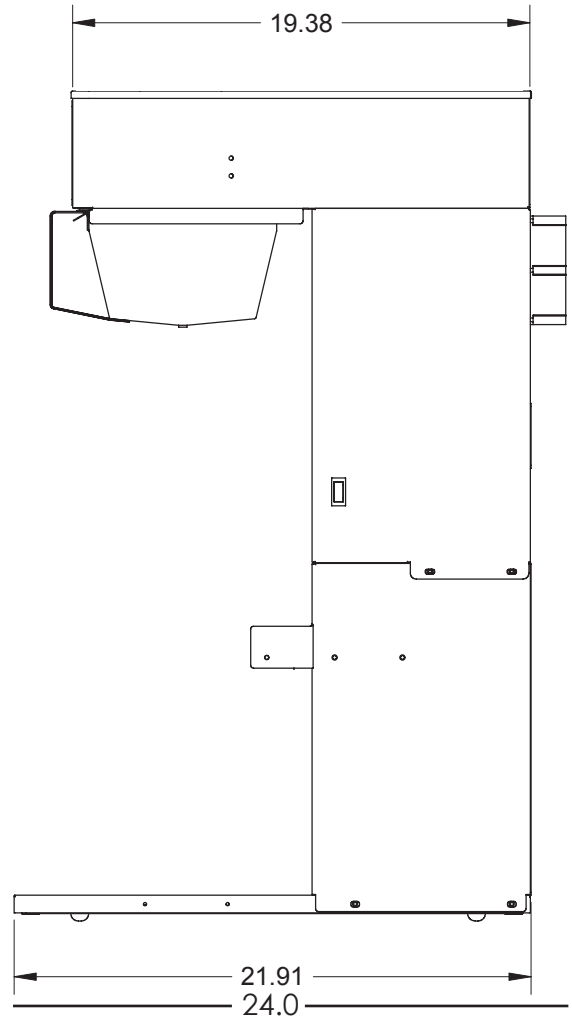
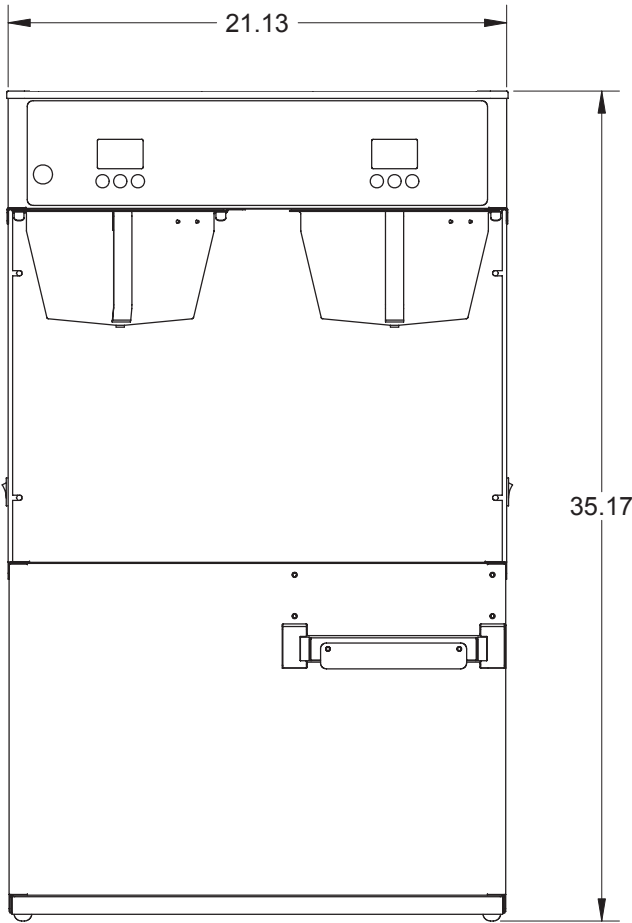
**DTV COFFEE PN: 784535**

\* Dispensers not included

**DTV COFFEE + SERVERS PN: 784850**

\* Includes 2 Vaculator Thermal Servers

# Dual TVT



- Base to basket clearance 24" (Brewing container should be at least ½" shorter)
- Slide out tray on right side for brewing into air pots, basket clearance 13" (Brewing container should be at least ½" shorter)

## Additional Information

Model	Part #	Volts	Amps	Tank Wattage	Cubic Feet	Ship Weight	Cord Attached
DTVT	784535	USA/CAN 120 / 240	USA/CAN 23.8 / 23.8	USA/CAN 5700W / 5700W	10.32	75lbs	No

4 Wire Connection