

GXF1-15

MODULAR DESIGN



Freedom of Choice

The GX series is a modular family designed around the changing operation of your business. Designed with flexibility to provide various brewer configurations, the GX series offers a cost effective approach that reduces the need for new equipment for each vessel.

Features

- Auto-arm
- Visa-brew
- Back-up pour over
- Optional bypass
- Multi pot selection
- Multi-voltage
- Versatile faceplate design
- 4 inch legs included

Specifications

- Brewing Volume for 120 V..... 0.5-1 Gallon
- Brewing Volume for 240 V..... 0.5, 1, 1.5 Gallon
 - * 240v recommended for 1.5 gallon brew volumes
- Brewing Capacity..... 480 cups per hour
- Water Supply-Cold..... 10-100-PSI
- Satellite..... Sold separately

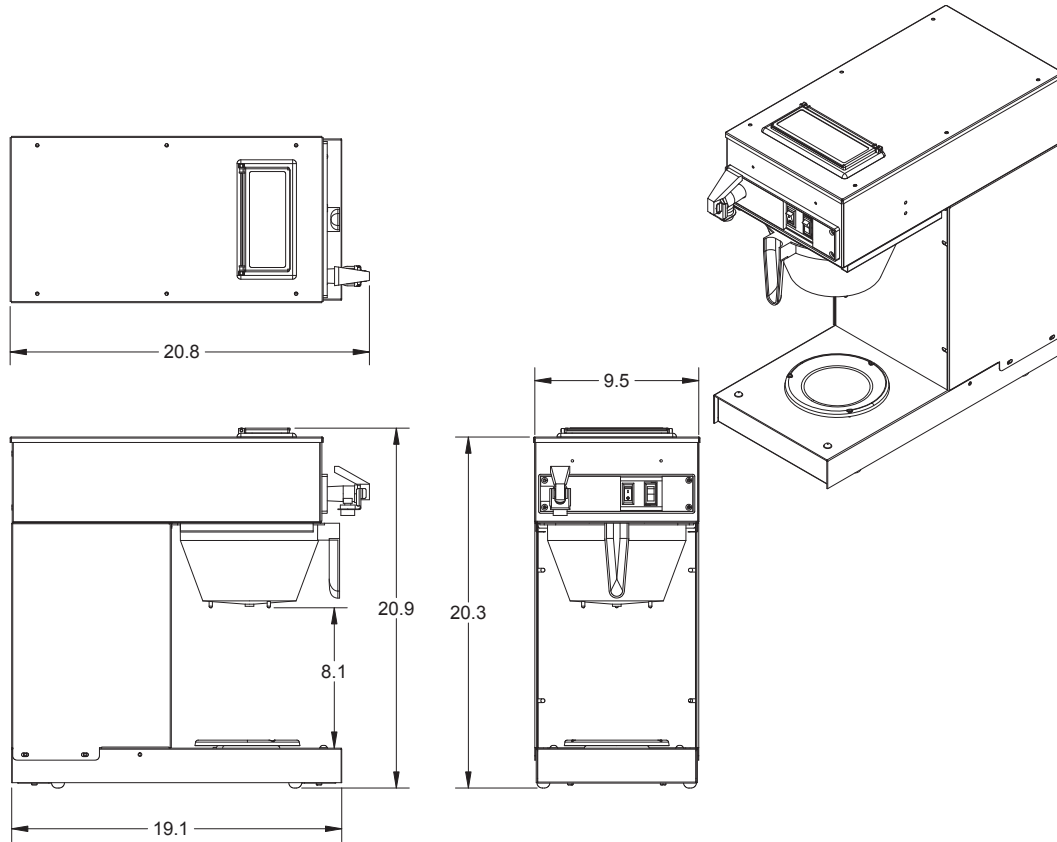


Model GXF1-15
PN: 701685

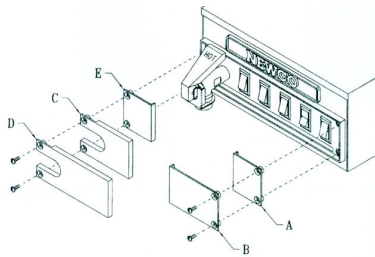


Shown here with optional
GWT1 Warmer, 700496 for the
G15 Dispenser.

GXF1-15




WATER SUPPLY-COLD 10-100-PSI



COVER	FUNCTION
A	Conceals multi-volume selector switch
B	Conceals multi-volume selector switch and brew start switch
C	Conceals one warmer switch (upper warmer)
D	Conceals warmer switches (both upper warmers)
E	Conceals Faucet Position when faucet is removed

Additional Information

Part #	Model	Height	Width	Depth	Volts	Watts	Amps	Weight
701685	GXF1-15/AUTOMATIC 	20.9	9.5	20.8	120	1500	12.5	33 lbs
					120/240	5620	23.9	
			Canada Electrical		120	1270	10.8	
					120	4720	20.3	