

GXF3-15

MODULAR DESIGN



Freedom of Choice

The GX series is a modular family designed around the changing operation of your business. Designed with flexibility to provide various brewer configurations, the GX series offers a cost effective approach that reduces the need for new equipment for each vessel.

Features

- 2 additional upper burners
- Auto-arm
- Visa-brew
- Back-up pour over
- Optional bypass
- Multi pot selection
- Multi-voltage
- Versatile faceplate design

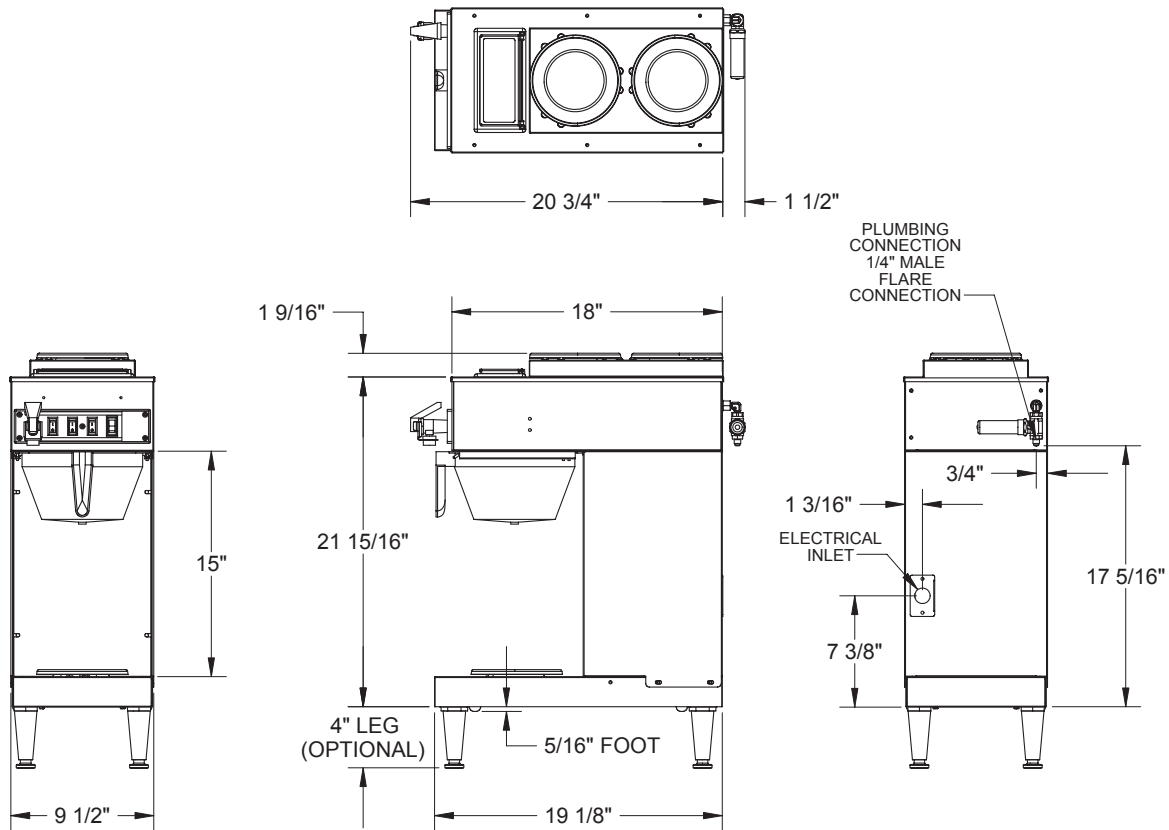
Specifications

- Brewing Volume for 120 V..... 0.5-1 Gallon
- Brewing Volume for 240 V..... 0.5, 1, 1.5 Gallon
 - * 240v recommended for 1.5 gallon brew volumes
- Brewing Capacity..... 480 cups per hour
- Water Supply-Cold..... 10-100-PSI
- Satellite..... Sold separately

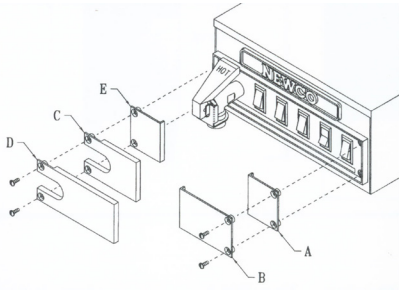


Shown here with optional
GWT1 Warmer, 700496
for the G15 Dispenser

GXF3-15



WATER SUPPLY-COLD 10-100-PSI



COVER	FUNCTION
A	Conceals Multi-Volume Selector Switch
B	Conceals Multi-Volume Selector Switch and Brew Start Switch
C	Conceals One Warmer Switch (Upper Warmer)
D	Conceals Warmer Switches (Both upper warmers)
E	Conceals Faucet Position when faucet is removed

Additional Information

Part Number	Model	Height	Width	Depth	Volts	Watts	Amps	Weight
700492	GKF3-15	25.5	9.5	19	120	2050	17.1	39